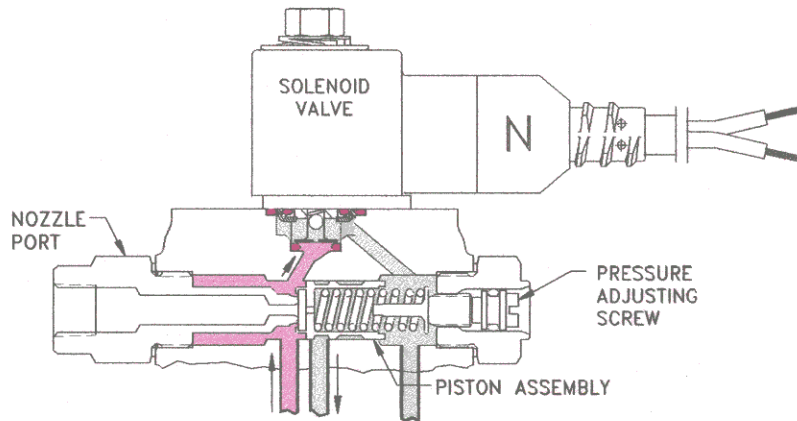


# SUNTEC MODEL 4000 FUEL UNIT

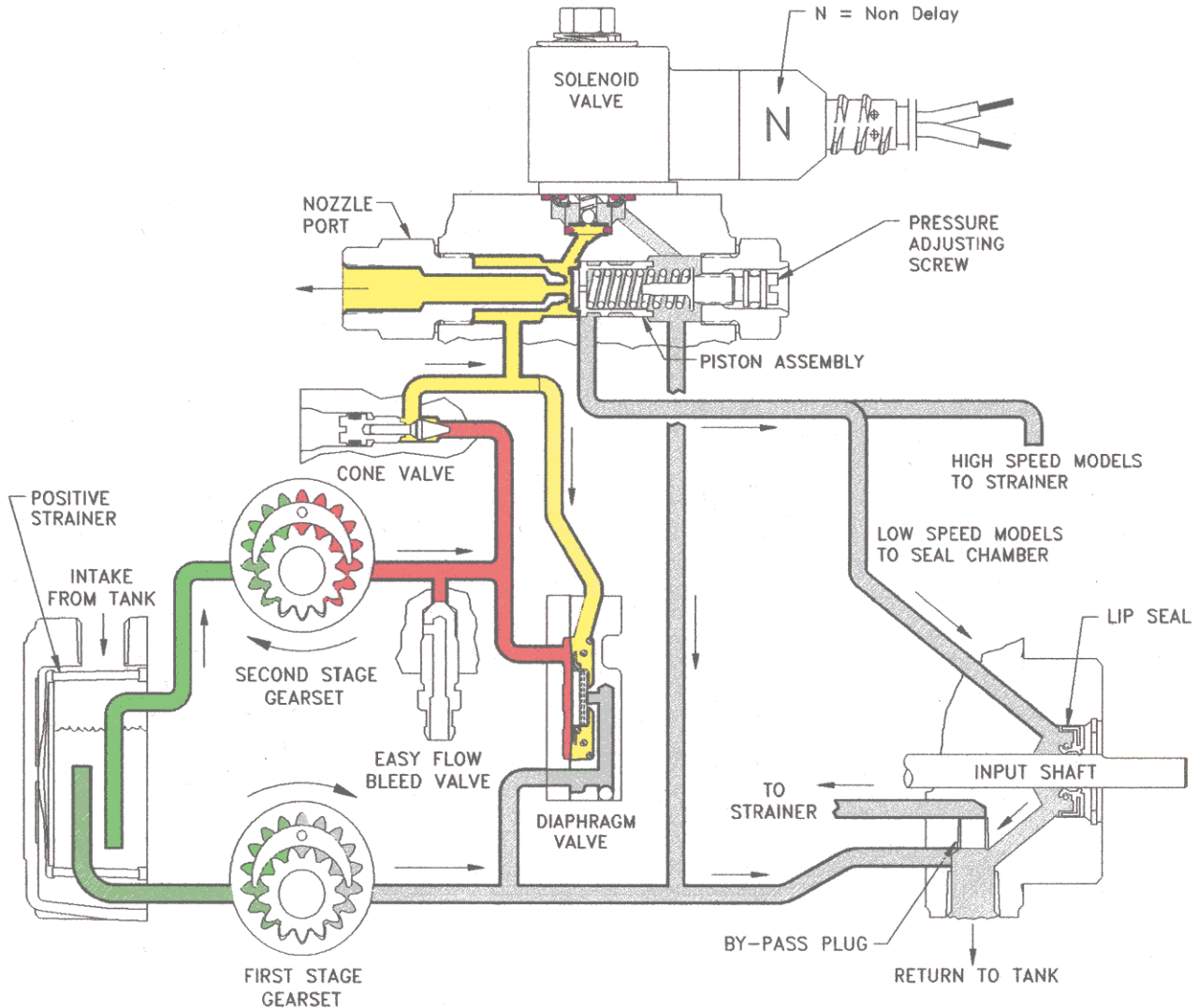
2-STAGE SOLENOID BYPASSING PUMP WITH DIAPHRAGM VALVE

## B2VA-4006

('OPEN' OR DE-ENERGIZED POSITION)



('CLOSED' OR ENERGIZED POSITION)



■ HIGH PRESSURE OIL   ■ HIGH PRESSURE OIL   ■ LOW PRESSURE OIL   ■ RETURN OIL   ■ INLET OIL