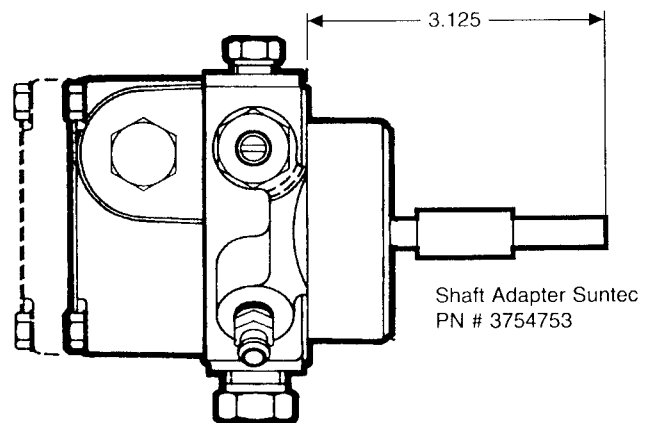
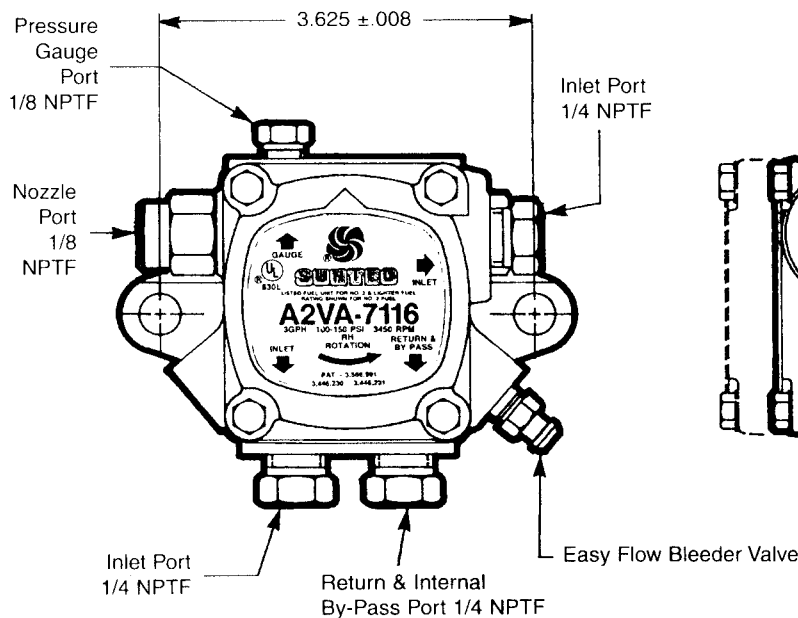
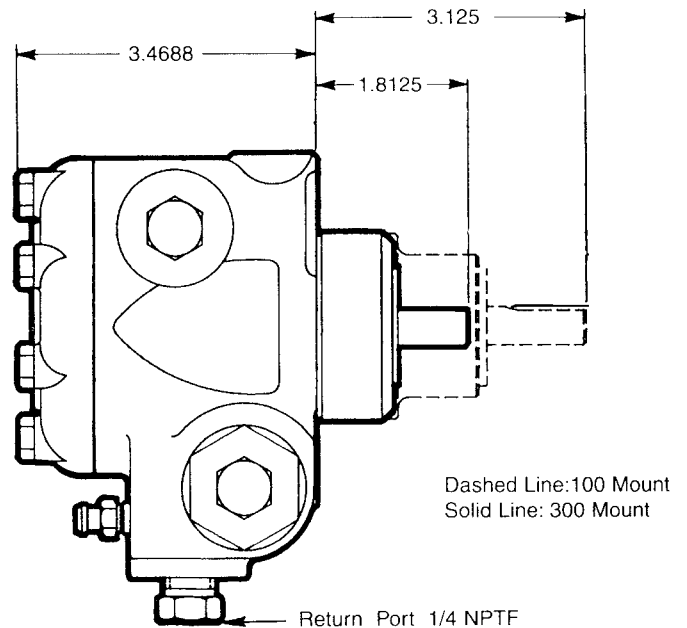
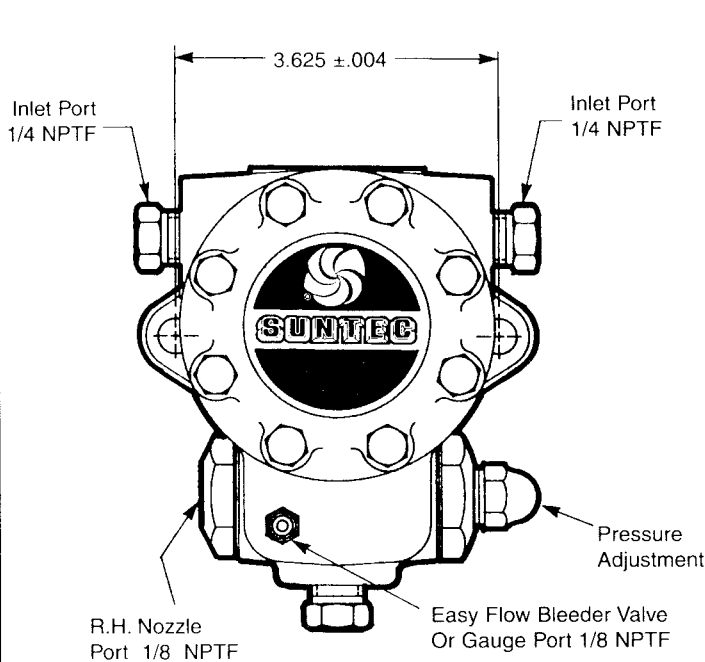


When replacing models J & H with models A & B, several requirements must be determined in order to select a proper replacement.

- RPM Speed
- Nozzle Rating
- Mounting Configuration
- Shaft Rotation
- Porting Features

Due to differences in shaft sizes between models, it may be necessary to change the coupling or use a "SHAFT ADAPTER" for connection to the existing coupling. See installation procedures below.



SUNTEC INDUSTRIES INCORPORATED
A and B Replacements for J and H Models

MODEL J	REPLACEMENT	
	<u>1725 RPM</u>	<u>3450 RPM</u>
(JA)JB2BB-100		A2TB-7151
(JA)JB2BB-300		A2TB-7151
JJ2BB-300		A2VB-7117
J2BA-100	A1YA-7912	A2TA-7150
J2BB-100	A1VB-7113	A2TB-7151
J2BB-300	A1VB-7113	A2TB-7151
J2BCF-412	A1VC-7114	A2GD-7943
J3BA-100	A1YA-7912	A2TA-7150
J3BB-100	A1YB-7913	A2TB-7151
J3BB-200	A1YB-7913	A2TB-7151
J3BC-100	A1TD-7149	A2GD-7943
J3BD-100	A1TD-7149	A2GD-7943
J3BC-200	A1TD-7149	A2GD-7943
J3BC-408	A1TD-7149	A2GD-7943
J3BD-100	A1TD-7149	A2GD-7943
J3PB-100	A1YB-7913	A2TB-7151
J4PB-100	A1TB-7147	A2GB-7941
J4PD-100	A1TD-7149	A2GD-7943

MODEL H	REPLACEMENT	
	<u>1725 RPM</u>	<u>3450 RPM</u>
(HA)HB2BB-100		B2TB-8261
(HA)HB2BB-300		B2TB-8261
H2BB-100	B1VB-8213	B2TB-8261
H2BB-300	B1VB-8213	B2TB-8261
H2BC-412	B1YC-8254	B2TC-8262
H2PB-100	B1VB-8213	B2TB-8261
H3BB-100	B1YB-8253	B2TB-8261
H3BB-200	B1YB-8253	B2TB-8261
H3PB-B100		B2TB-8261
H3BA-100	B1YA-8252	B2TA-8260
H3BA-200	B1YA-8252	B2TA-8260
H3PA-100	B1YA-8252	B2TA-8260
H3BC-100	B1YC-8254	B2TC-8262
H3BD-200	B1YD-8255	B2TD-8263
H3BC-C200H		B2TC-8259
H3PAN-C150H		B2TA-8249
H3PAN-C160H		B2TA-8249
H3PBN-C254H		B2TB-8258
H4PA-200	B1TA-8256	B2GA-8932
H4PAN-C151H		B2TA-8930
H4PAN-C161H		B2TA-8930
H4PC-C200H		B2TC-8931

(*) When replacing -100 and -200 a shaft extension will be needed.



60 Aberdeen Drive
 Glasgow, KY 42141
 (270) 651-7116
<http://www.suntecpumps.com>

3501-0301