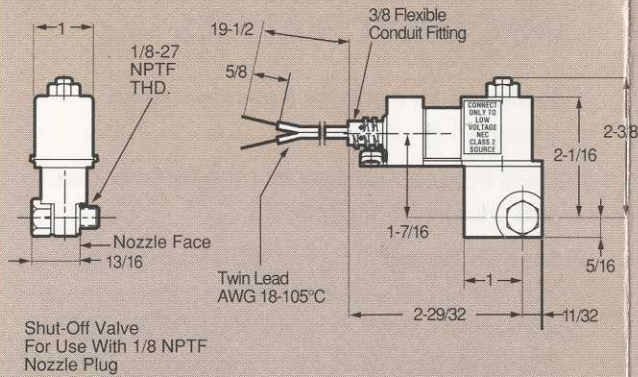
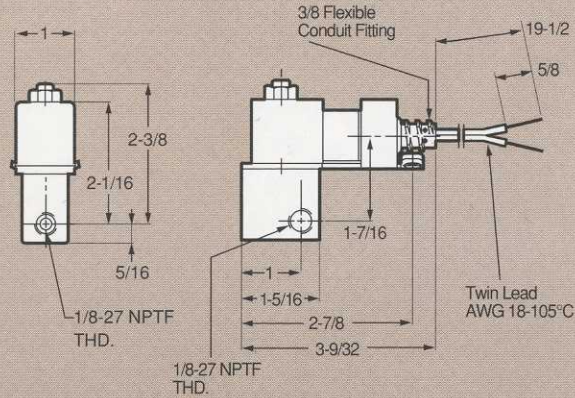


SPECIFICATIONS/ORDERING INFORMATION

Model R



Model C

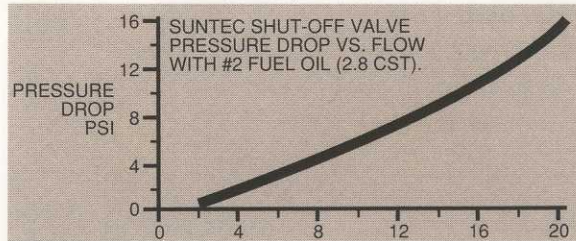


Valve Model No.* Pump Mount	Burner Mount	Opening Response	Voltage	Rating Amps	(Max.)**	Color	
						Coil	Wires***
R642N	C642N	Non-Delay	115V, 60 Hz	.1	300 psi	Black	Orange & White
R641D	C641D	Delay	115V, 60 Hz	.1	150 psi	Black	Black & White
R753N	C753N	Non-Delay	220V, 50-60 Hz	.05	300 psi	Black	Orange & White
R261N	C261N	Non-Delay	24VAC/12VDC	0.5	300 psi	Black	Orange & White

*Complete Valve & Coil **Max. Recommended Flow 20 GPH ***All Are 2-Wire

Fuels Suitable for kerosene, No. 1 or No. 2 Fuel Oil

Solenoid 115V, .1A, 60 Hz.
220V, .05A, 50/60 Hz.



WARRANTY INFORMATION

Model R and Model C valves include a full 2-year warranty on material and workmanship. Refer to Suntec Warranty document for complete details.

LOCAL AVAILABILITY • Backed by Service

Suntec Model R and Model C valves and service are available from Suntec Distributors and Service Centers located throughout the United States and Canada, and sales offices worldwide. Contact Suntec for the location of your nearest source.



POB 5000
Glasgow, Kentucky 42142-5000
Tel: (270) 651-7116
Fax: (270) 651-9276

SOLENOID SAFETY VALVES

SUNTEC

The Standard For Quality!



Models
R & C

Solenoid-Operated For Instantaneous Redundant Cutoff Of Fuel Supply



These top quality field-proven shut-off valves provide instantaneous fuel supply cutoff back-up protection in fuel oil circuits.

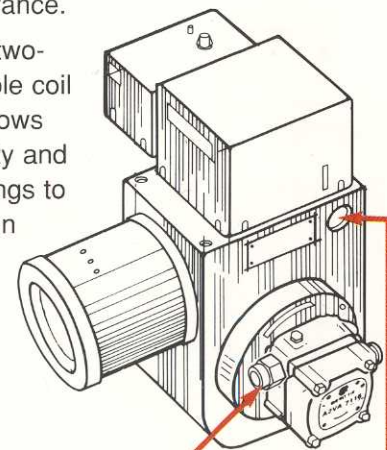
Wired in parallel with the burner motor, the valve closes whenever current to the motor is interrupted, blocking oil flow to the nozzle.

Extra reliability comes from a field-proven internal design which compensates for hostile fuel supply environments.

Two models are available. Model R mounts directly to Suntec A and B fuel unit discharge ports for minimum piping. Model C provides the option of mounting to the burner where it may be more accessible. Both models offer the option of non-delay or delay opening for burner purge. The delay version averages three seconds to opening. Both valve models mount in any position.

COMPARE THESE IMPORTANT FEATURES

- ✓ **Designed To Perform Reliably** over an extended cycle life.
- ✓ **Field Proven Concept**, with years of domestic and European acceptance.
- ✓ **Easy To Install.** The Model R valve is added into the circuit with simple tools and without additional tubing. The coaxial bolt assembles the valve directly to the pump outlet. The Model C valve mounts onto the burner housing with convenient 90° porting. This permits a very concise tubing arrangement.
- ✓ **Available In A Choice** of pump mount (Model R) or burner mount (Model C). Both models use the same actuating components including the coil.
- ✓ **Interchangeable.** For non-delay or delayed opening.
- ✓ **UL Recognized and CSA Certified**, for extra assurance.
- ✓ **Economical.** A two-piece detachable coil and cordset allows greater flexibility and increased savings to customers when retro-fitting.



Pump Mount
Model R

Burner Mount
Model C