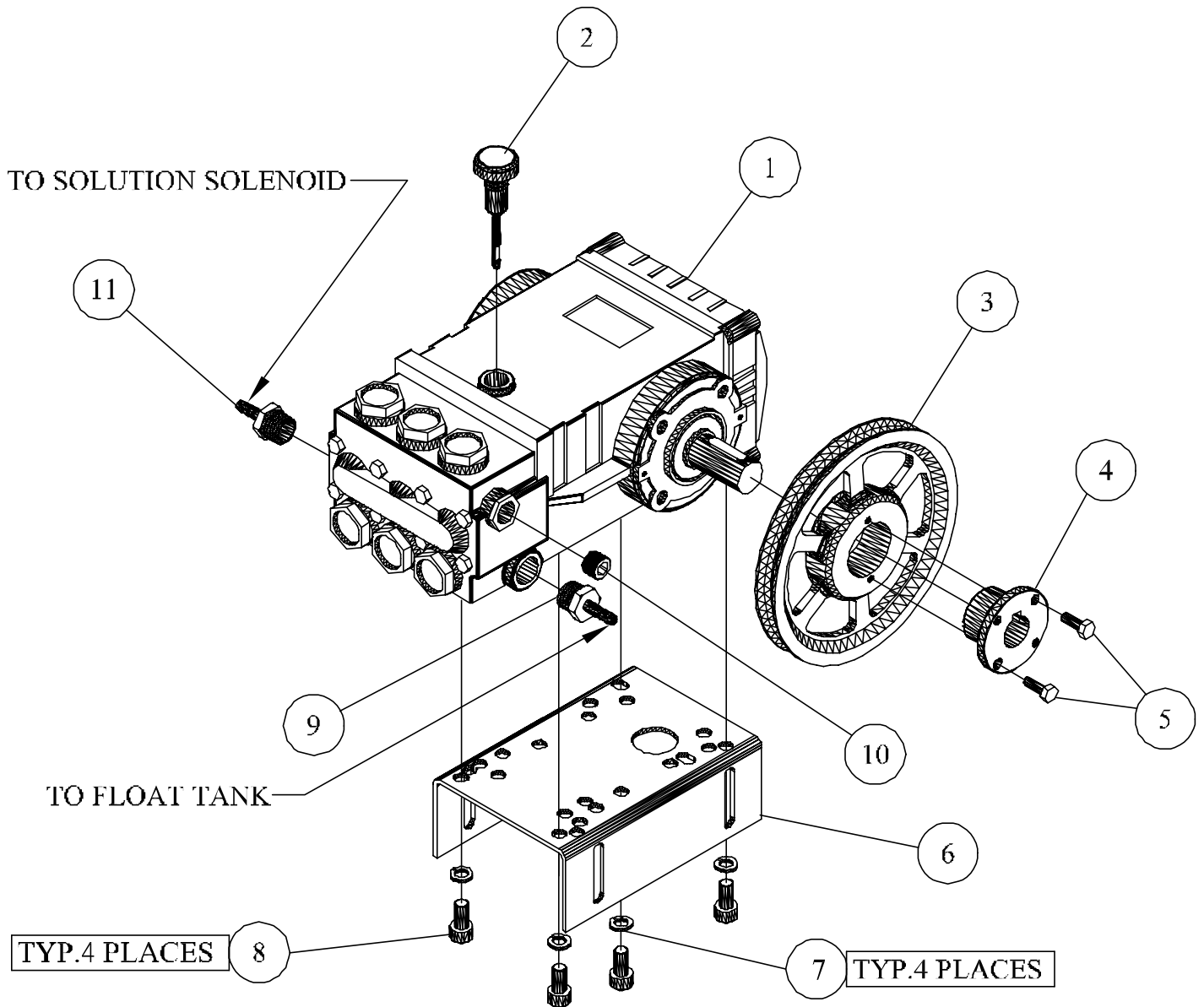


JENNY PRODUCTS INC.
 SJ 180, GES 115-230/60V/1PH, N/C, L/WC, ELECT-IGN

SJ 180,GES,N/C,LWC			
115-230/60V/1PH,			
PARTS LIST			
Notes: Figure 20-(Common Parts)			
Electrical Dia. File: Jw 308			
w/ 3PH Jw 306			
ITEM NO.	DESCRIPTION	QTY.	PART NO.
1	CHASSIS,MODULE,MOTOR-PUMP,GES,GES,LES	1	JD8500
2	CHASSIS,MODULE,COIL,STL,PAINTED,SIZE-C	1	JD8506
3	CASING,COIL,ASSY,2100,GES	1	JP5507-A
4	LEGS,STATIONARY,STEEL,PAINTED,GES	4	JD8507
5	LEG,ADJUSTABLE,FRONT,STEEL,PAINTED,GES	1	JD8508
6	LEG,ADJUSTABLE,REAR,STEEL,PAINTED,GES	1	JD8509
7	PANEL,SUPPORT,COVER,REAR,STBEL,PNTD,GES	1	JD8510
8	PANEL,SIDE,MODULE,CHASSIS,MTR-PMP,ST,GES	1	JD8515
9	BRACKET,SUPPORT,BURNER,ST,SIZE-C	2	JD8526
10-A ASSY SEE FIG 1-4A	CONTROL,INLET,BURNER,ASSY,HPW1880,GES	1	JD7881
10-B ASSY SEE FIG 1-4B	CONTROL,INLET,BURNER,ASSY,HPW1880,LES	1	JD7886
11	COVER,MACHINE,SS,GES,	1	JD8516
12	MOLDING,RUBBER,FOAM,ADHESIVE,1/2WX1/8T	1	JD3782-B
13	SCREW,PHILLIPS,HEAD,"N",COVER	10	JP7733
14	RETAINER,SCREW,PHILLIPS,HEAD,"N"	10	JP7733-02
15	SHIELD,HEAT,BURNER,ST,PAINTED,SIZE-C	1	JD8520
16	INSULATION,CERAMIC,1-1/2X42X69,6#	1	JD3085
17	WASHER,STRAINER,MESH,WIRE,BRASS,#30	2	JD 809
18ASSY SEE FIG 1-9	TANK,FLOAT,ASSY,W/FITTINGS,HPW,OEP	1	JD8245-S
19	BAFFLE,TANK,FLOAT,REMOVABLE	1	JP3385-08
20	ADAPTER,EXPANDING,BRASS,1/2MX1/2F	1	JD6224-04
21	NIPPLE,BRASS,1/2NPTX3LONG	1	JD3094-02
22	ELBOW,FEMALE,BRASS,FORGED,1/2NPT	1	JD 692-02
23	CONNECTOR,BRASS,3/4 GARDEN HOSE X 1/2NPTM,SWIV	1	JD7142
24-A	MOTOR,1HP,115-230/60/1,1725RPM,TEFC,F2	1	JB3003
24-B	MOTOR,1HP,230-460/60/3,1725RPM,TEFC,F2	1	JB3004
24-C	MOTOR,1HP,575/60/3,1725RPM,TEFC,F2	1	JB3005
25	PULLEY,CI,SG,TH,BK47H,3.7PDA,4.1PDB	1	JD3904-42
26	BUSHING,PULLEY,TAPERED,5/8" BORE	1	JD3915-01
27	CONNECTOR,RELIEF,STRAIN,1/4-3/8,1/2NPTM	1	JD1687-06
*28-A	WIRE,SJO,CPE,BLACK,14/3	2	JE 433
*28-B	WIRE,SO,CPE,BLACK,14/4	1	JE 442
29	TUBING,PVC,REINFORCED,3/8"ID	4'	JD7575
30	PLATE,NAME,ALUM,PRINT,BLACK,4X4	1	JD3456
31	HOSE,COMBINATION,JENNY,3/8X50'	1	JD7624
32ASSY SEE FIG 20-2	SWITCH,PRESSURE,W/BRACKET,WELDED	1	JP7731
33ASSY SEE FIG 1-3	MANIFOLD,FITTINGS,VALVE,ASSY,SJ70,GES	1	JD8220
34	BELT,VBE,COG,AX42	1	JD3950
35ASSY SEE FIG 20-1	VALVE,SOLENOID,SOLUTION,24V,1/4NPT	1	JD2162-F
36	CLAMP,SLLEEVE,PLASTIC,3/8 I.D.	4	JD2759
37	HOSE,HYD,3K PSI,23"L,3/8NPTM,90D-3/8NPTM	1	JD7542
38	RECEPTICAL,CLIP-ON,STEEL,D ACROTIZED	10	JP7733-01

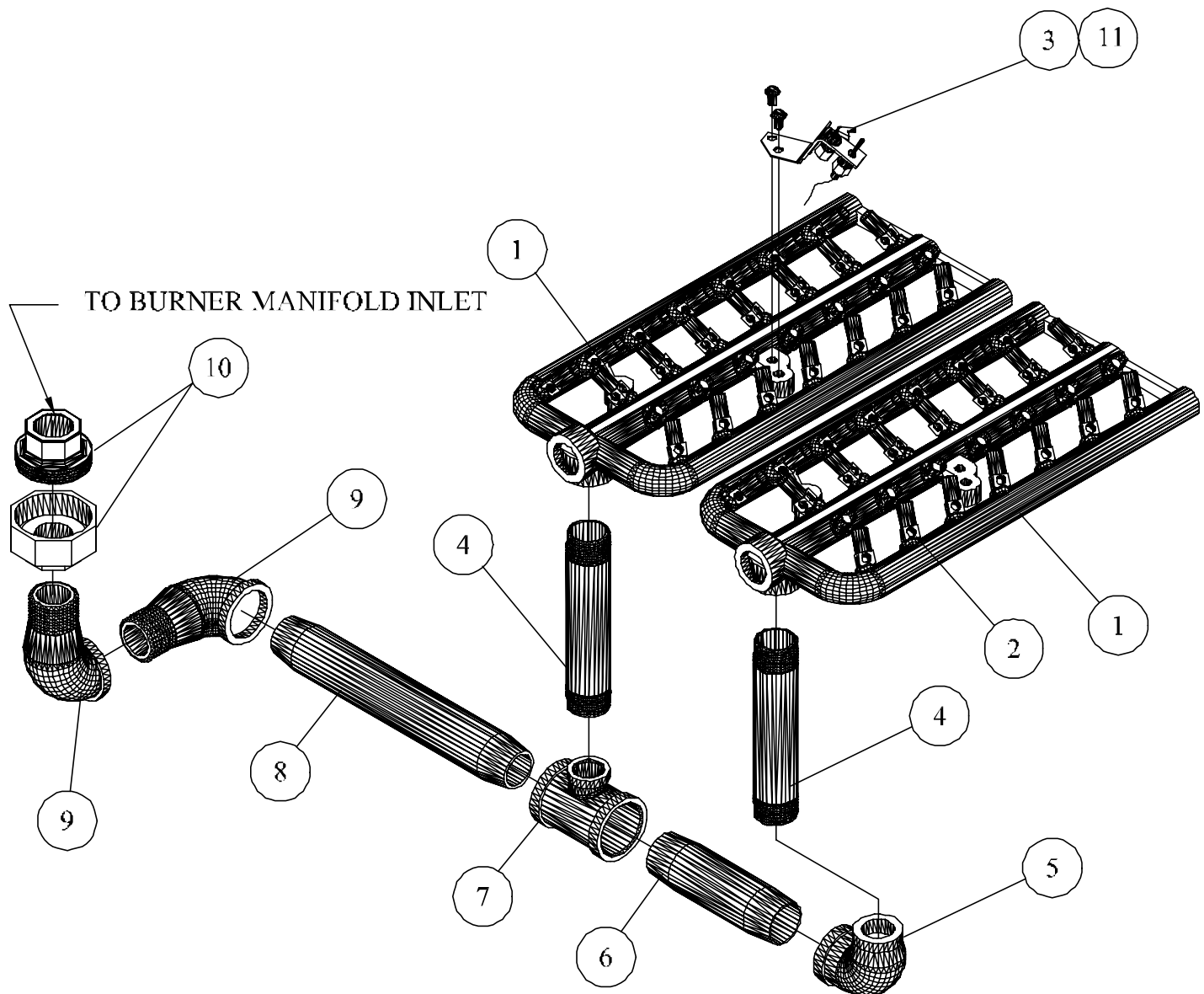
39 ASSY SEE FIG 1-8	NOZZLE,STEAM & FAN COMBINATION,FITTINGS,SJ 120	1	
40 ASSY SEE FIG 1-7	GUN,SCH80,N/C,W/O,SWIVEL,ASSY,3/8",COMB	1	JP4261-H
41ASSY SEE FIG 1-1	PUMP,MOUNTING&FITTING,ASSY,753&1530,GES	1	JD8300-A
42ASSY SEE FIG 1-2	MANIFOLD,BURNER,ASSY,HPW2560,GES	1	JD7895
43	J-BOLT,3/8-16X4	2	JP7182
44-A ASSY SEE FIG 1-5	BOX,JCT,PANEL,FRONT,115-230/1PH,30A,GAS	1	JE2003
44-B ASSY SEE FIG 1-5	BOX,JCT,PANEL,FRONT,230-575/3PH,30A,GAS		JE2005-A
45ASSY SEE FIG 1-6	PLATE,COVER,PANEL,CONT,BOX,HPW,GES	1	JD8513
46	HOSE,HYD,3K PSI,44" LONG,3/8NPTM,3/8NPTM	1	JD7874
47	WASHER,FLAT,SS,3/4 OD X 5/32 ID X 20 GAUGE	8	JP7720-03
48	SCREEN,COVER,MACHINE,ST,PAINTED	1	JP7720-01
49	RIVET,AL., 160- 164 HOLE, .063- .125GRP,5/32	8	JP7720-02
50-A	CORD,DROP,GFCL,120V,15A,40FT	1	JD7179-A
50-B	CORD,DROP,GFCL,240V,15A,40FT	1	JD7179-D
51	TAG,WARNING,WATER TRAP,GAS FIRED UNIT	1	JD7207
52	TAG,WARNING,GAS PRESSURE	1	JD3097
53	COIL,GAS,FIRED,1/2" PIPE,SCH40	1	JP5508
54	TEE,FEMALE,STEEL,PLATED,1/2NPT	1	JD3734-01
55	BUSHING,REDUCER,HEX,STEEL,PLATED,1/2X3/8	2	JD2599
56	ELBOW,FEMALE,STEEL,PLATED,1/2NPT	1	JD 692
57	PLUG,FUSIBLE,ASSY,340 DEGREE F	1	JP3921-C
58	RING,CASING,COIL,SS,18-7/8ODX9-15/16ID	1	JD3017
59	LUG,TERMINAL,COPPER,3/16BOLT,6-14GAUGE	1	JD6152
60	CLAMP,HOSE,NYLON,BLACK, .593/.656DIA	2	JD7859-D
61	GROMMET,RUBBER,BLACK,5/8" I.D.	2	JD3385
62	GROMMET,RUBBER,BLACK,7/16" I.D.	6	JD3385-01
63	TUBING,PVC,REINFORCED,1/4ID	1	JD7850
64	GROMMET,RUBBER,BLACK,1-1/2" I.D.	3	JP 675
65	STRAINER,CHEMICAL,BRASS,1/4"HOSEBARB	1	JD7140-A
66	TUBING,PVC,CLEAR,3/8ODX1/4ID	7.1	JD3087
67	SCREW,FLANGE,HEX,SERR,ST,PL,1/4-20X1/2	22	JD7904-A
68	BOLT,ELEVATOR,STEEL,PLTD,3/8X2-1/2,1" HD	2	JD7906-G
69	SCREW,SLF TAP,PHILLIPS,ST,PL,8-32X3/8	12	JD3043
70	SCREW,FLANGE,HEX,SERR,ST,PL,5/16-18X1/2	2	JD7905
71	SCREW,FLANGE,HEX,SERR,ST,PL,3/8-16X3/4	35	JD7906-A
72	NUT,LOCK,FLANGE,HEX,SERR,ST,PL,3/8-16	14	JD7774-F
73	SCREW,CAP,HEX HD,ST,PL,FLT,3/8-16X2-1/4"	2	JD7035
74	NUT,LOCK,FLANGE,HEX,SERR,ST,PL,1/4-20	8	JD7774-D
75	CLAMP,HOSE,NYLON,BLACK, .750/.875DIA	2	JD7859-F
76	SCREW,SLF DRL,PHILLIP,ST,PLTD,#8X1/2	4	JD6050
77	SCREW,SLF DRL,HEX WASHER,PLTD,#10x5/8	4	JD7074-A
78	SCREW,CARRIAGE,GR5,ST,PL,3/8X6	2	JD7798
79	NIPPLE,STEEL,SCH80,1/2NPTX27-1/2LONG	1	JD3111
80	BRACKET,OUTLET,COIL,GES	1	JP5413-06
81	HOSE,SOLVENT,NEOPRENE,1/2" ID	1.6'	JD 946
82	ELBOW,REDUCER,STL,PLATED,90DEG,FEM. 1/2 X 3/8	1	JD7847
83	COVER,ACCESS,CASING,COIL,GES,1600-4800	1	JP5314-01
84	NUT,SPEED,TINNERMAN,1/4-20	2	JD7042

85	SCREW,THUMB,STL,PLTD,W/SHLDER,1/4-20X 1/2		JD 1433
86	WASHER,FLAT,SERIES "N",STEEL,PLATED,1/2	4	JD7028
87	WASHER,LOCK,SPLIT,STEEL,PLATED,1/2"	4	JD 615
88	SCREW,CAP,HEX HD,ST,PL,1/2-13X 1"	4	JD 1165
89	SCREW,FLANGE,HEX,SERR,ST,PL,5/16-18X5/8	4	JD7905-A
90	NUT,LOCK,FLANGE,HEX,SERR,ST,PL,5/16-18	4	JD7774-E
NOT SHOWN	TAG,WARNING,ELECTRIC CORD	1	JD7075
NOT SHOWN	DECAL,CAUTION,FUSIBLE PLUG,2X3-1/2,LEXAN	1	JD2858
NOT SHOWN	DECAL,WARNING,VALVE,TURN-OFF		JD6155-A
NOT SHOWN	TERMINAL,TONGUE,RING,3/16HOLE,18-22GAUGE	1	JD 928
NOT SHOWN	TERMINAL,TONGUE,FORK,#6HOLE,14-18GAWIRE	2	JD2347
NOT SHOWN	TERMINAL,CONNECT,QUICK,FEM,0.250,14/16GA	10	JD 1576-01
NOT SHOWN	TERMINAL,CONNECT,QUICK,PIGGY,FEM,14-16GA	2	JD 1576-06
NOT SHOWN	DIVERTER,DRAFT,VERTICAL,10"	1	JD3018
NOT SHOWN	DECAL,DANGER,WARNING,CAUTION,LARGE	1	JD7239
NOT SHOWN	DECAL,NOTICE,GROUND,4MILTHK,5YRWHITE	1	JD2344-01
NOT SHOWN	DECAL,NUMBER,MODEL,SJ 180,BLUE,LARGE	1	JD8485
NOT SHOWN	DECAL,PACKED,GROOMED,TESTED	1	JD6013
NOT SHOWN	DECAL,MADE-IN-THE-USA,JENNY	1	JD6211



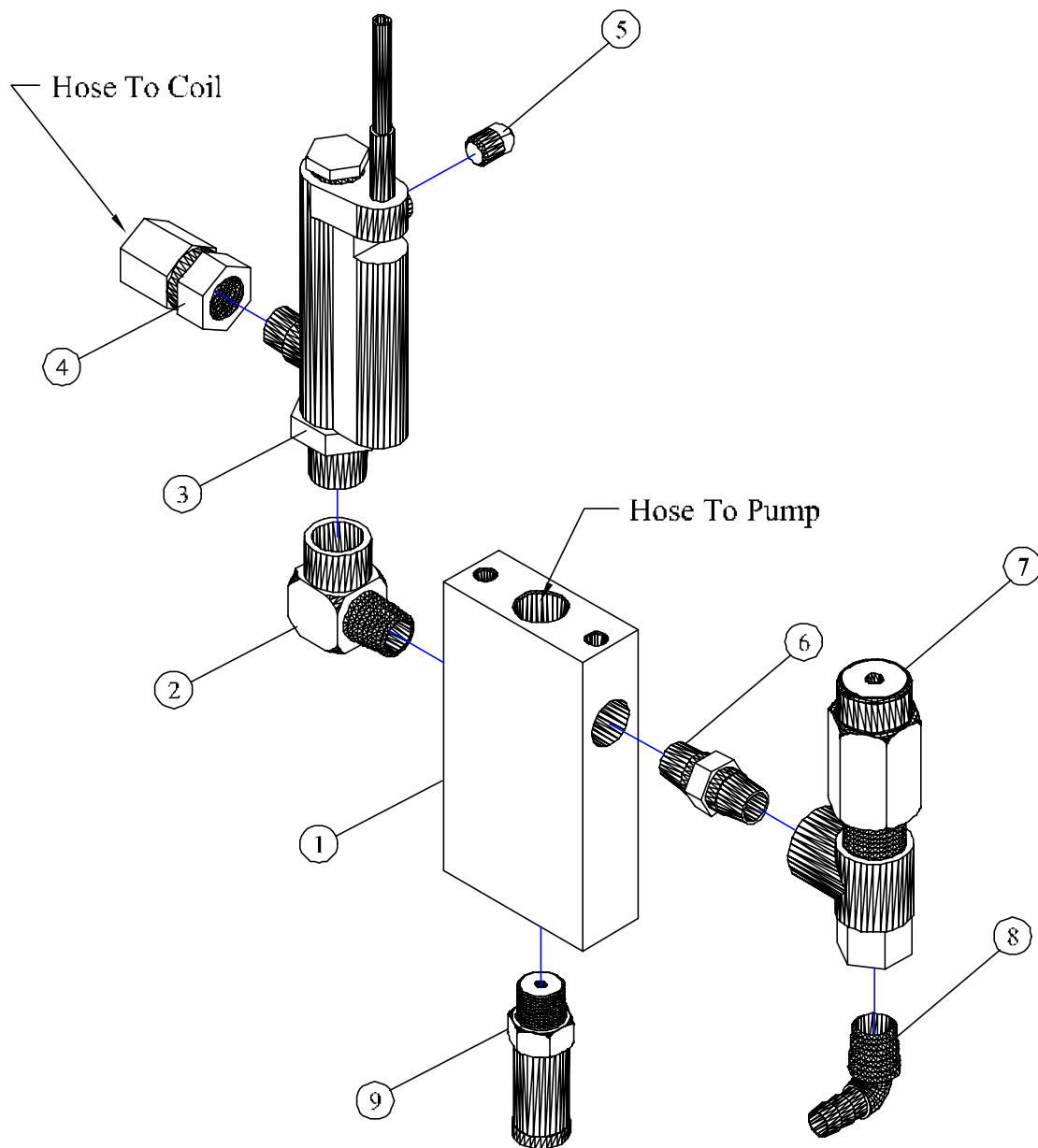
ITEM NO.	QTY.	DESCRIPTION	PART NO.
1	1	PUMP, PLUNGER, TRIPLEX, 2200 PSI, 4.0 GPM, AR	JD7955
2	1	OIL, DIP, STICK, (RECEIVED W/PUMP)	
3	1	PULLEY, CI, SG, TH, AK66H, 6.2 PDA, 5.86 D3L	JD3904-02
4	1	BUSHING, PULLEY, TAPERED, 24MM BORE	JD3915
5	2	H.H.B.1/4-20 UNC-3/4 CLASS 5 RECEIVED W/BUSHING	
6	1	PLATE, MOUNTING, PUMP, STEEL, PAINTED,	JD8016
7	4	WASHER, LOCK, 5/16	JD 612
8	4	SCREW,CAP,HEX,HEAD,ST,PLATED,M8-1.25 X 16MM	JD7258
9	1	BARB, HOSE, MALE, BRASS, 1/2 HS X 1/2 NPTM	JD7077-A
10	1	PLUG,SOCKET,HEX,BRASS,3 8NPT	JD7151
11	1	BARB, HOSE, MALE, BRASS, 1/4 HS X 1/2 NPTM	JD7826

FIGURE 1-1 (Pump, Mounting, Fitting, JD8300-A, SJ 180 GES, Assy)



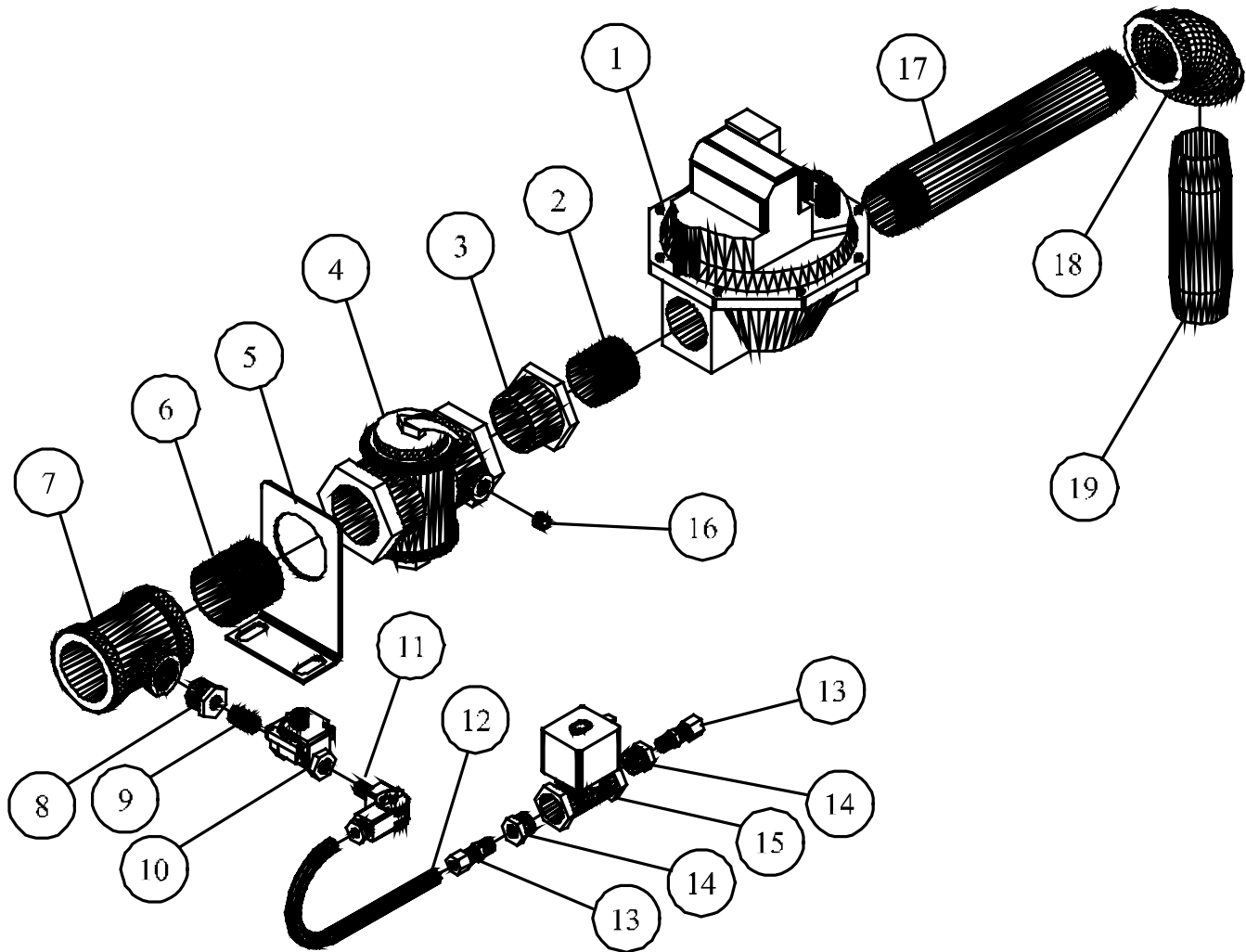
ITEM NO.	QTY.	DESCRIPTION	PART NO.
1A	2	BURNER, NAT, #640 JETS, 0#52, U-29	JD3128-C
1B	2	BURNER, LP, #640 JETS, 0#56, U-29	JD3229
2A	58	JET, BURNER, GAS, NATURAL, BRASS, #52, .064	JD3082
2B	58	JET, BURNER, GAS, LP, BRASS, #56, .047	JD2360
3A	1	PILOT, BURNER, NAT, Q314B1019	JD2359-01
3B	1	PILOT, BURNER, LP, Q314B1019-LP	JD2359-02
4	2	NIPPLE, STEEL, SCH 40, 3/4NPT X 5 LONG	JD1219
5	1	ELBOW, FEMALE, MI, 1-1/4 NPT X 3/4 NPT	JD 993
6	1	NIPPLE, STEEL, SCH 40, 1-1/4 NPT X 5-1/2 LONG	JD3074
7	1	TEE, FEMALE, MI, 150#, 1-1/4 X 1-1/4 X 3/4	JD1274
8	1	NIPPLE, STEEL, SCH 40, 1-1/4 NPT X 10-1/2 LONG	JD7887
9	2	ELBOW, STREET, MI, 150#, 1-1/4 NPT	JD1013
10	1	UNION, FEMALE, MI, 150#, BRZ-IR SEAT, 1-1/4	JD1294
11	1	SENSOR, IGNITOR, W/MT-BRKT&HDWARE, 60"LEAD	JP7694-D

FIGURE 1-2 (Burner, Gas, Nat. JD7895 & LP JD7884, SJ 180 GES Assy)



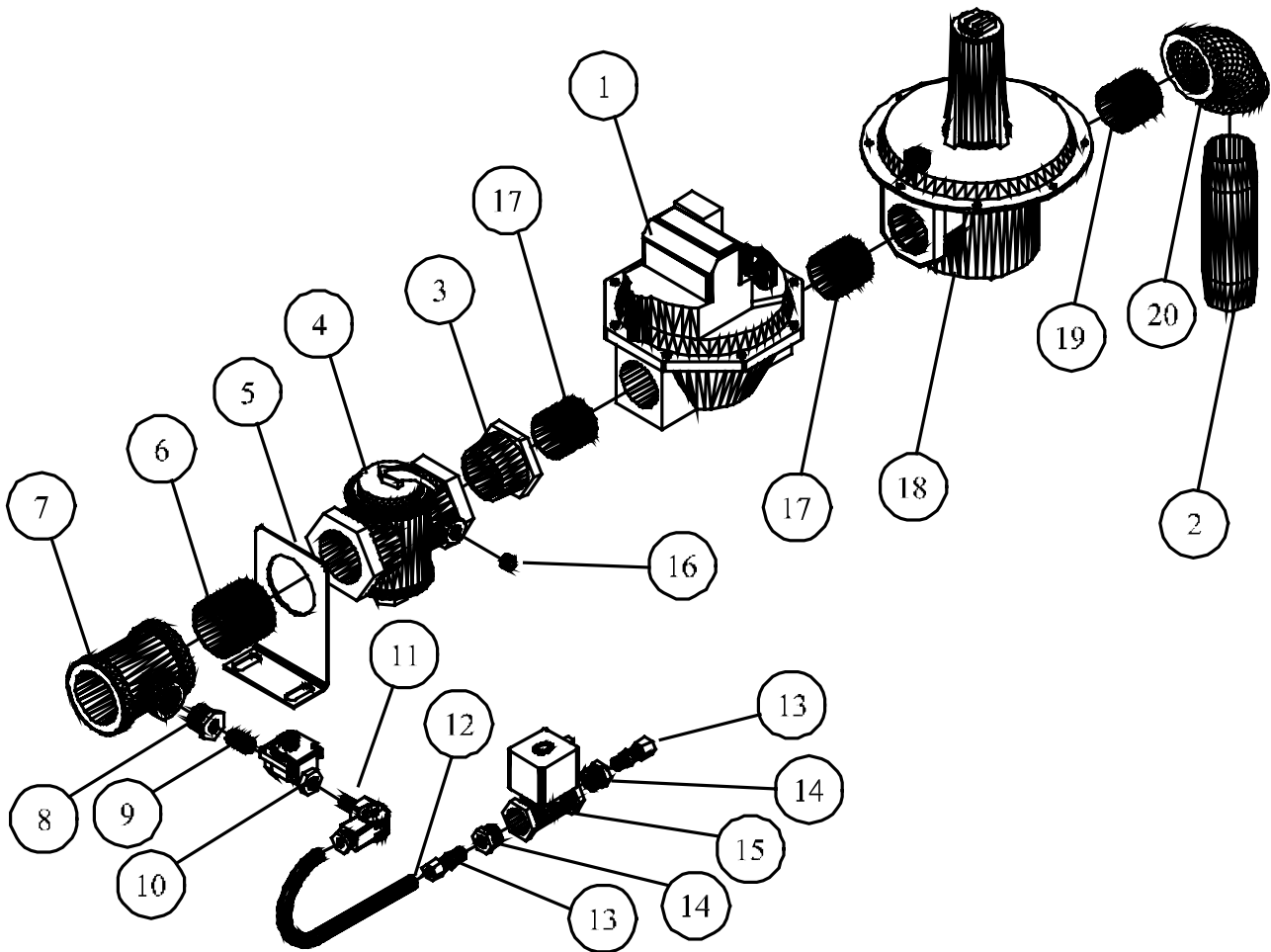
ITEM NO.	QTY.	DESCRIPTION	PART NO.
1	1	MANIFOLD, FITTINGS, STEEL, PLATED, ALL, UNITS	JP7716
2	1	ELBOW, STREET, STEEL, PLATED 3/8 NPT	JD3717-03
3	1	SWITCH, FLOW, SP. ST, NO, 20VA, 3/8 NPTM	JD7279
	1	REPLACEMENT, REED, SWITCH, ASSY, W/47" LEADS	JD7279-01
4	1	ADAPTER, SWIVEL, FEMALE, STEEL, PLATED, 3/8 X 3/8	JD3719-01
5	1	PLUG, HEAD, SQUARE, BRASS, 1/4 NPT	JD 679-02
6	1	NIPPLE. HEX, STEEL, PLATED, 3/8NPT X 3/8 NPT	JD3716-01
7	1	VALVE, UNLOADER, PSI ACT, REG, 2415PSI, 6.3 GPM	JD3324-Q
8	1	BARB, HOSE, ELBOW, MALE, BRASS, 3/8HS NPT	JD7149
9	1	VALVE, RELIEF, 0-1200 PSI, 160F, 3/8NPTM	JD7048-D

FIGURE 1-3 (Manifold, Fitting, Valve, JD8220, SJ 180 GES, Assy)



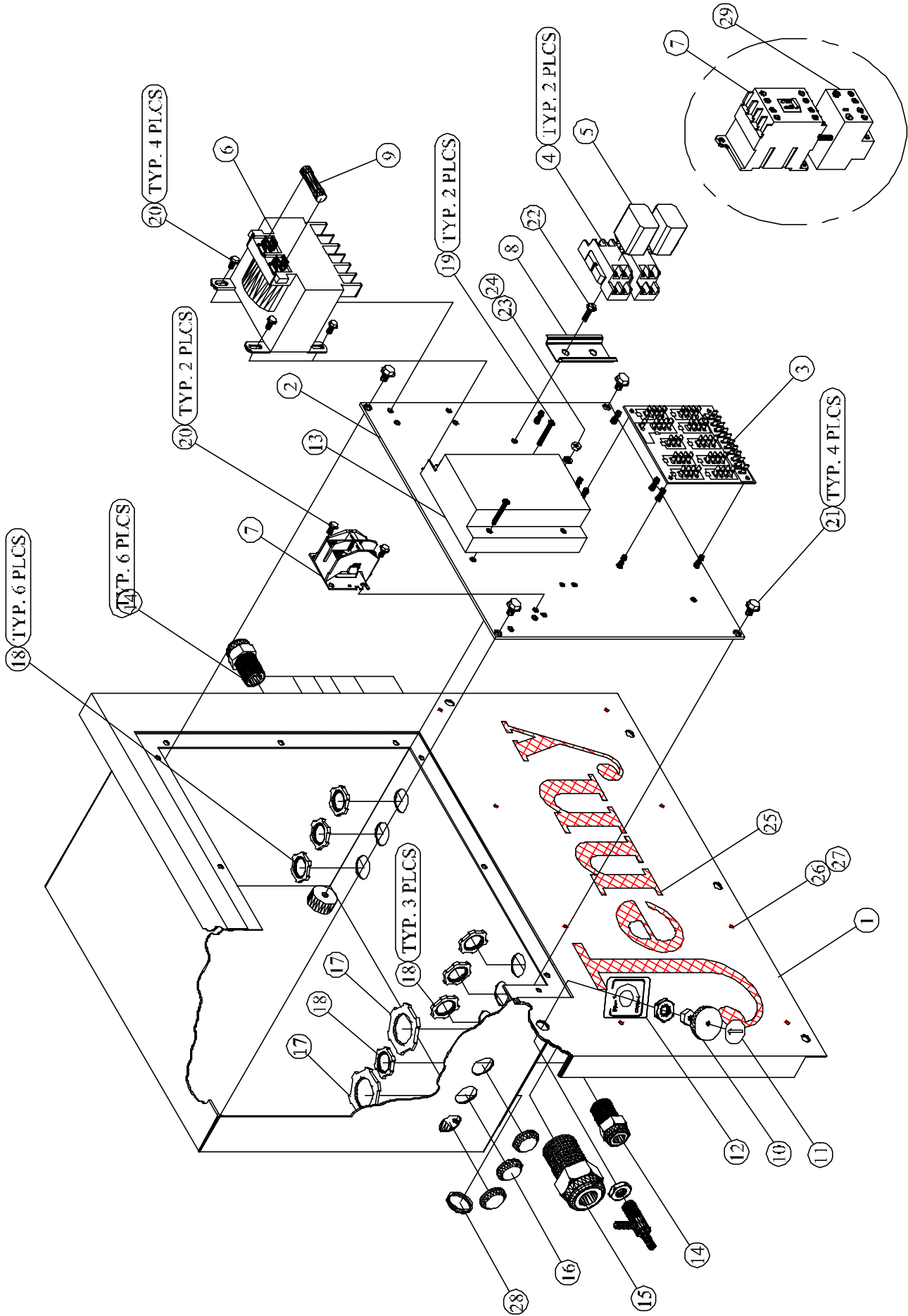
ITEM NO.	QTY.	DESCRIPTION	PART NO.
1	1	VALVE, COMBINATION, NAT, 24VAC, 1-1/4"	JD3845-K
2	1	NIPPLE, CLOSE, STEEL, SCH40, 1-1/4" NPT	JE 886
3	1	BUSHING, REDUCER, HEX, MI, 1-1/2" X 1-1/4"	JD3075
4	1	COCK, GAS, AGA & CGA, CERTIFIED, 1-1/2" NPTF	JP1496-A
5	1	BRACKET, MANIFOLD, GES, INLET, SIZE-C & D	JD8525
6	1	NIPPLE, CLOSE, STEEL, SCH 40, 1-1/2"NPT	JD1243
7	1	TEE, FEMALE, MI, 150#, 1-1/2" X 1-1/2" X 1/2	JD3076
8	1	BUSHING, REDUCER, HEX, BRASS, 1/2 X 1/8	JD6243
9	1	NIPPLE, CLOSE, STEEL, SCH 80, 1/8" NPT	JD2167
10	1	REGULATOR, GAS, PILOT, NAT, 3-6", RV10, 1/8"	JD6008
11	1	VALVE, PILOT, SHUTOFF, BRASS, 1/8 NPT M X 1/4 TUBE	JP2510-05
12	1	TUBING, ALUMINUM, 1/4 O.D. X .032 WALL	JD1820
13	2	CONNECTOR, MALE, COMPRESSION, BRASS, 1/4TBX1/8	JD3780-A
14	2	BUSHING, REDUCER, HEX, BRASS, 3/8 X 1/8	JD3092
15	1	VALVE, SOLENOID, GAS, 24V, 3/8 NPT	JP3731-B
16	1	PLUG, SOCKET, HEX, BRASS, 1/8 NPT	JD7243
17	1	NIPPLE, STEEL, SCH 40, 1/1/4 NPT X 9 LONG	JD3466
18	1	ELBOW, FEMALE, MI, 150#, 1-1/4 X 1-1/4	JE 888
19	1	NIPPLE, STEEL, SCH 40, 1-1/4 NPT X 5-1/2 LONG	JD3074

FIGURE 1-4A (Control, Burner, Nat. Gas, Inlet, JD7881, SJ 180, Assy)



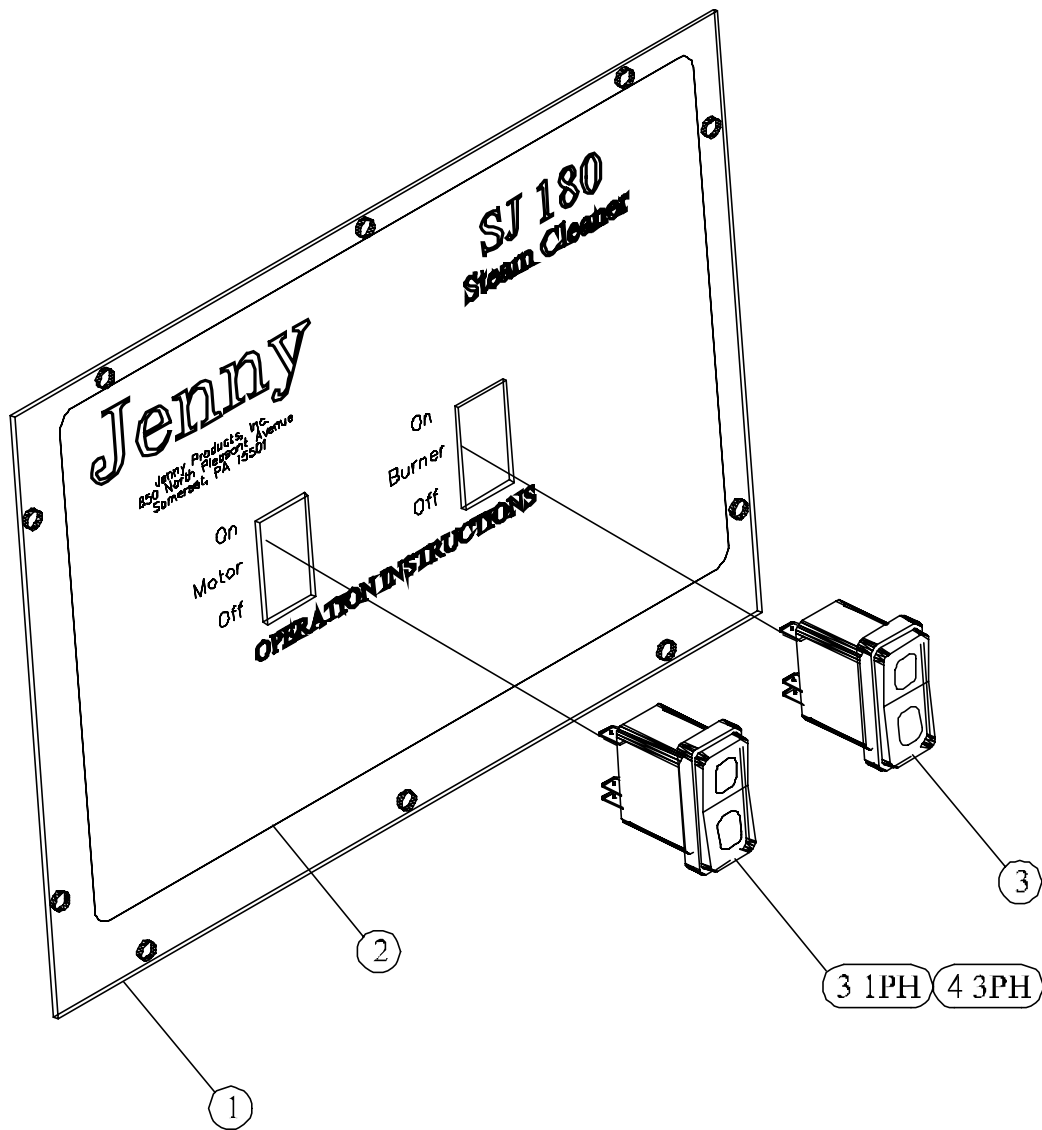
ITEM NO.	QTY.	DESCRIPTION	PART NO.
1	1	VALVE, SOLENOID, LP, 24VAC, 1-1/4"	JE 919-A LP
2	1	NIPPLE, STEEL, SCH 40, 1-1/4 NPT X 5-1/2 LONG	JD3074
3	1	BUSHING, REDUCER, HEX. MI, 1-1/2" X 1-1/4"	JD3075
4	1	COCK, VALVE, GAS, WITH HANDLE, 1-1/2" NPT	JP1496-A
5	1	BRACKET, MANIFOLD, HPW 1510	JD8525
6	1	NIPPLE, CLOSE, STEEL, SCH 40, 1-1/2"NPT	JD1243
7	1	TEE, FEMALE, MI, 150#, 1-1/2" X 1-1/2" X 1 2	JD3076
8	1	BUSHING, REDUCER, HEX, BRASS, 1/2 X 1/8	JD6243
9	1	NIPPLE, CLOSE, STEEL, SCH 80, 1/8" NPT	JD2167
10	1	REGULATOR, GAS, PILOT,LP,5.5-12".RV10,1/8"	JD6008-A
11	1	VALVE, PILOT, SHUTOFF, BRASS, 1/8 NPT M X 1/4 TUBE	JP2510-05
12	1	TUBING, ALUMINUM, 1/4 O.D. X .032 WALL	JD1820
13	2	CONNECTOR, MALE, COMPRESSION, BRASS, 1/4TBX1/8	JD3780-A
14	2	BUSHING, REDUCER, HEX, BRASS, 3/8 X 1/8	JD3092
15	1	VALVE, SOLENOID, GAS, 24V, 3/8 NPT	JP3731-B
16	1	PLUG, SOCKET, HEX, BRASS, 1/8 NPT	JD7243
17	2	NIPPLE, STEEL, SCH 40, 1/1/4 NPT X 2" LONG	JD1414
18	1	REGULATOR,GAS,PSI,LP,5"-12"WC,1-1/4 NPTF	JD3077-A
19	1	NIPPLE, CLOSE, STEEL, SCH 40, 1-1/4 NPT	JE 886
20	1	ELBOW,FEMALE,MI,150#,1-1/4 X 1-1/4	JE 888

FIGURE 1-4B(Control, Burner, LP Gas Inlet, JD7886, SJ 180 GES, ASSY)



3PH CONTACTOR
OVERLOAD RELAY

ITEM NO.	DESCRIPTION	QTY.	PART NO.
1	PANEL,CONTROL,BOX,JUNCTION,STL,PNTD,GES	1	JD85 11
2	PLATE,MOUNTING,PANEL,CONT,BOX,JCT,ST,GES	1	JD85 12
3	BOARD,CIRCUIT,PRINTED,ALL MACHINES	1	JB5000
4	BASE,RELAY,DP	2	JD78 19-A
5	RELAY,DP,DT,24VAC	2	JD78 19
6-A	TRNSFRMR,CTRL,OPN,100VA,120-460VP,24VS	1	JD2868
6-B	TRNSFRMR,CTRL,OPN,100VA,600VP,24VS	1	JD3987-13
7-A	CONTACTOR,DP,OP,2P,30A,24V	1	JP3530-D
7-B	CONTACTOR,DP,OP,3P,30A,24V,W/AUX CONTACT (USED BEFORE 5/1/01)	1	JD7651-B
7-C	CONTACTOR,DP,OP,3P,30A,24V,(CA7) (USED AFTER 5/1/01)	1	JD7651-W
8	RAIL,DIN,STL,PLTD,TAIL,DOVE,1 3/8X5/16	0.25	JD7768-A
9	FUSE,ELEMENT,DUAL,DELAY,TIME,250V,6AMP	1	JD3107-11
10	VALVE,NEEDLE,SOLUTION,BRASS,1/4IDHS-BARB	1	JD6248-A
11	DECAL,INDICATOR,HANDLE,VALVE	1	JD7143
12	DECAL,SOLUTION,METERING,VALVE	1	JD7821
13	CONTROL,IGNITION,UNIT,LOCKOUT,SP745	1	JP7694-A
14	CONNECTOR,RELIEF,STRAIN,1/4-3/8,1/2 NPTM	6	JD 1687-06
15	CONNECTOR,RELIEF,STRAIN,5/8-3/4,3/4NPTM	2	JD 1687-17
16	PLUG,HOLE,PLASTIC,BLACK,7/8"	3	JD3856
17	NUT,LOCK,CONDUIT,STEEL,PLATED,3/4"	2	JD7728
18	NUT,LOCK,CONDUIT,STEEL,PLATED,1/2"	6	JP 809
19	SCREW,MACHINE,PHILLIP	2	JD 838
20	SCREW,FLANGE,HEX,SERR,ST,PL,8-32x3/8	6	JD7901-B
21	SCREW,FLANGE,HEX,SERR,ST,PL,1/4-20X1/2	4	JD7904-A
22	SCREW,SLF DRL,HEX,WASHER,PLTD,#10x5/8	1	JD7074-A
23	NUT,HEX,STEEL,PLATED,10-32	1	JD 781
24	WASHER,LOCK,SPLIT,STEEL,PLATED,#10	1	JD 624
25	SCREEN,COVER,MACHINE,ST,PAINTED	1	JP7720-01
26	RIVET,AL,.160-.164 HOLE,.063-.125 GRP,5/32	8	JP7720-02
27	WASHER,FLAT,SS,3/4 O.D.X 5/32 I.D. X 20 GAUGE	8	JP7720-03
28	PLUG,HOLE,PLASTIC,BLACK,1.093"	1	JD3856-05
29-A	RELAY,OVERLOAD,THERMAL,PLUG-IN,2.2-3.1A (USED BEFORE 5/1/01)	1	JD7651-06
29-B	RELAY,OVERLOAD,THERMAL,PLUG-IN,1.0-1.4A (USED BEFORE 5/1/01)	1	JD7651-03
29-C	RELAY,OVERLOAD,THERMAL,PLUG-IN,1.7-2.4A (USED BEFORE 5/1/01)	1	JD7651-05
29-D	RELAY,OVERLOAD,THERMAL,PLUG-IN,2.4-4A (USED ATER 5/1/01)	1	JD7651-31
29-E	RELAY,OVERLOAD,THERMAL,PLUG-IN,1.6-2.4A (USED ATER 5/1/01)	1	JD7651-30
29-F	RELAY,OVERLOAD,THERMAL,PLUG-IN,1.0-1.6A (USED ATER 5/1/01)	1	JD7651-29



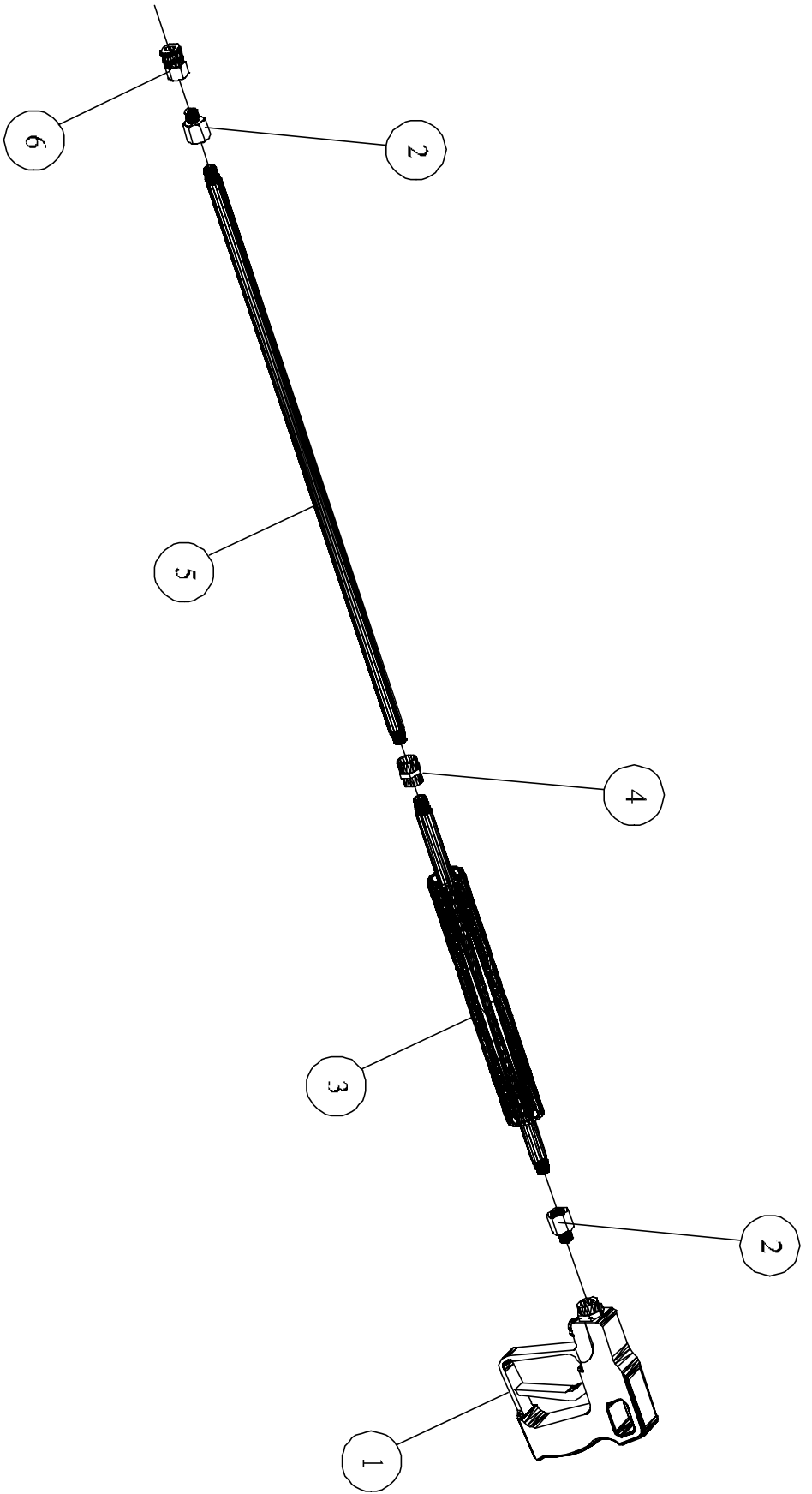
1 PH ONLY

ITEM NO.	QTY.	DESCRIPTION	PART NO.
1	1	PLATE, COVER, PANEL, CONTROL, BOX, JUNC, HPW	JD8513
2	1	DECAL, PANEL, INSTRUCTION, SJ 180, OEP & GES	JD8434
3	2	SWITCH, ROCKER, SP, ST, 10A, 24V, LED, LIGHT	JE1004

3 PH ONLY

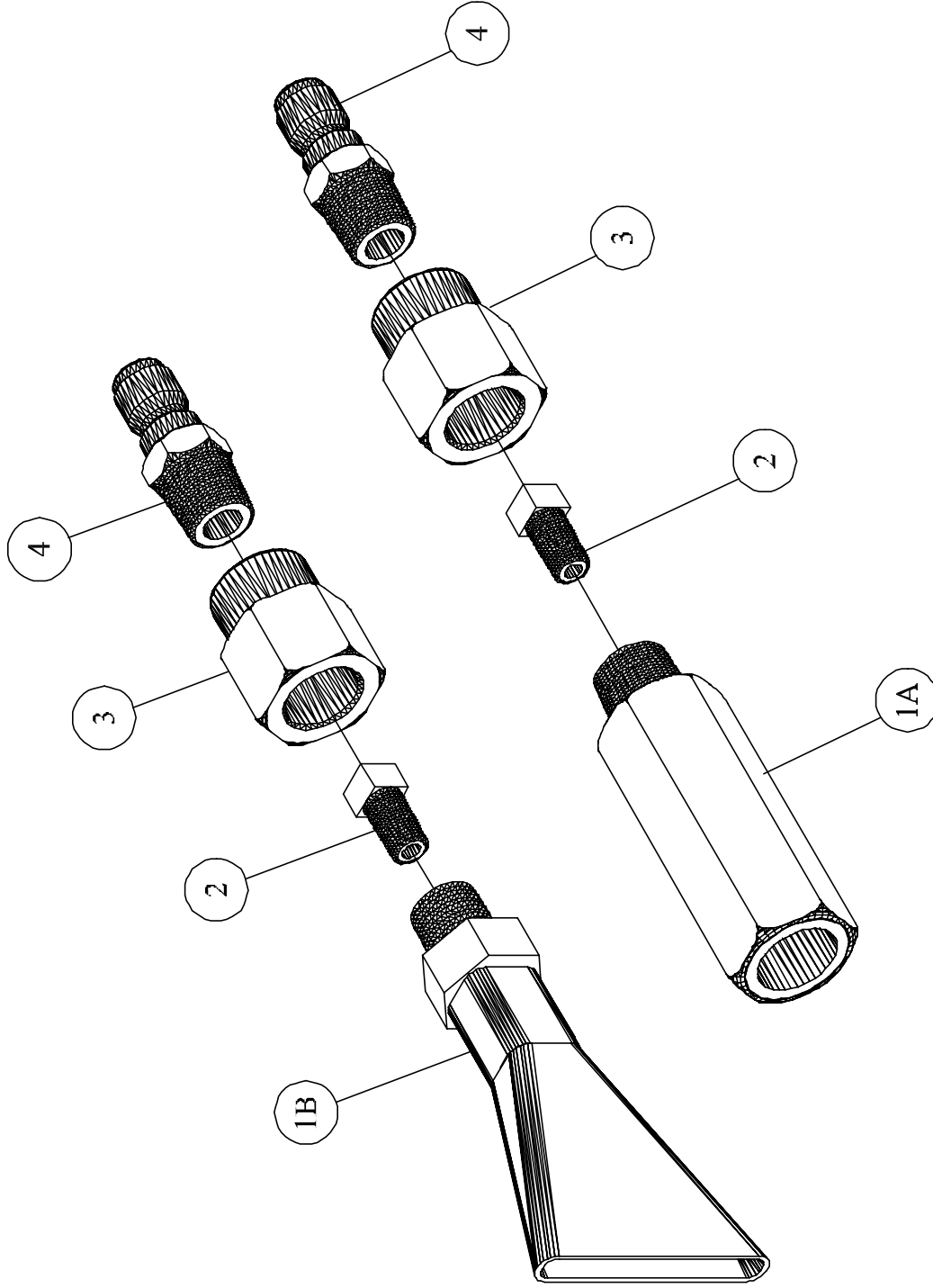
ITEM NO.	QTY.	DESCRIPTION	PART NO.
1	1	PLATE, COVER, PANEL, CONTROL, BOX, JUNC, HPW	JD8513
2	1	DECAL, PANEL, INSTRUCTION, SJ 180, OEP & GES	JD8434
3	1	SWITCH, ROCKER, SP, ST, 10A, 24V, LED, LIGHT	JE1004
4	1	SWITCH, ROCKER, DP, DT, OFF-ON-MOM, 10A, 24V	JE1006

FIGURE 1-6 (Panel, Instruction, SJ 180, Assy)



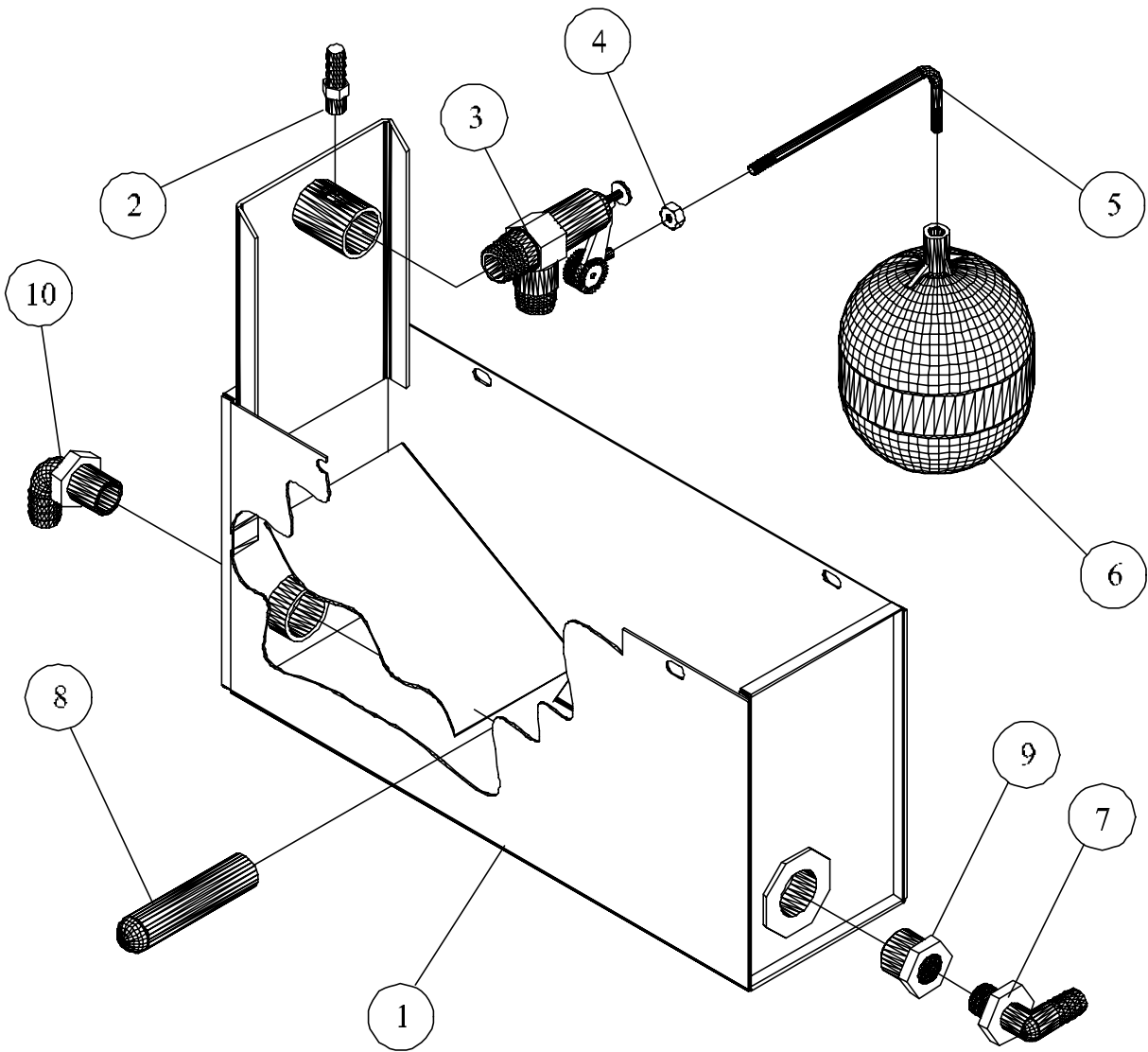
ITEM NO.	QTY.	DESCRIPTION	PART NO.
1	1	GUN, TRIGGER, 3000PSI, 8GPM, 320F	JD6068-B
2	2	ADAPTER, EXPANDING, STEEL, PLATED, 1/4M X 3/8F	JD6224
3	1	HANDLE, PERFORATED, SCH80, STEEL, ASSY, 3.8	JE 280-E
4	1	COUPLING, HEX, STEEL, PLATED, 3.8NPT X 3.8NPT	JD 907-04
5	1	NIPPLE, STEEL, SCH80, 3/8NPT X 28 LONG	JD 963
6	1	SOCKET, QUICK, COUPLING, BRASS, 1/4M X 3/8F	JD3102-02

FIGURE 1-7 (GUN, SCH80, N/C, W/O, SWIVEL, ASSY, 3/8", JP4261-H)



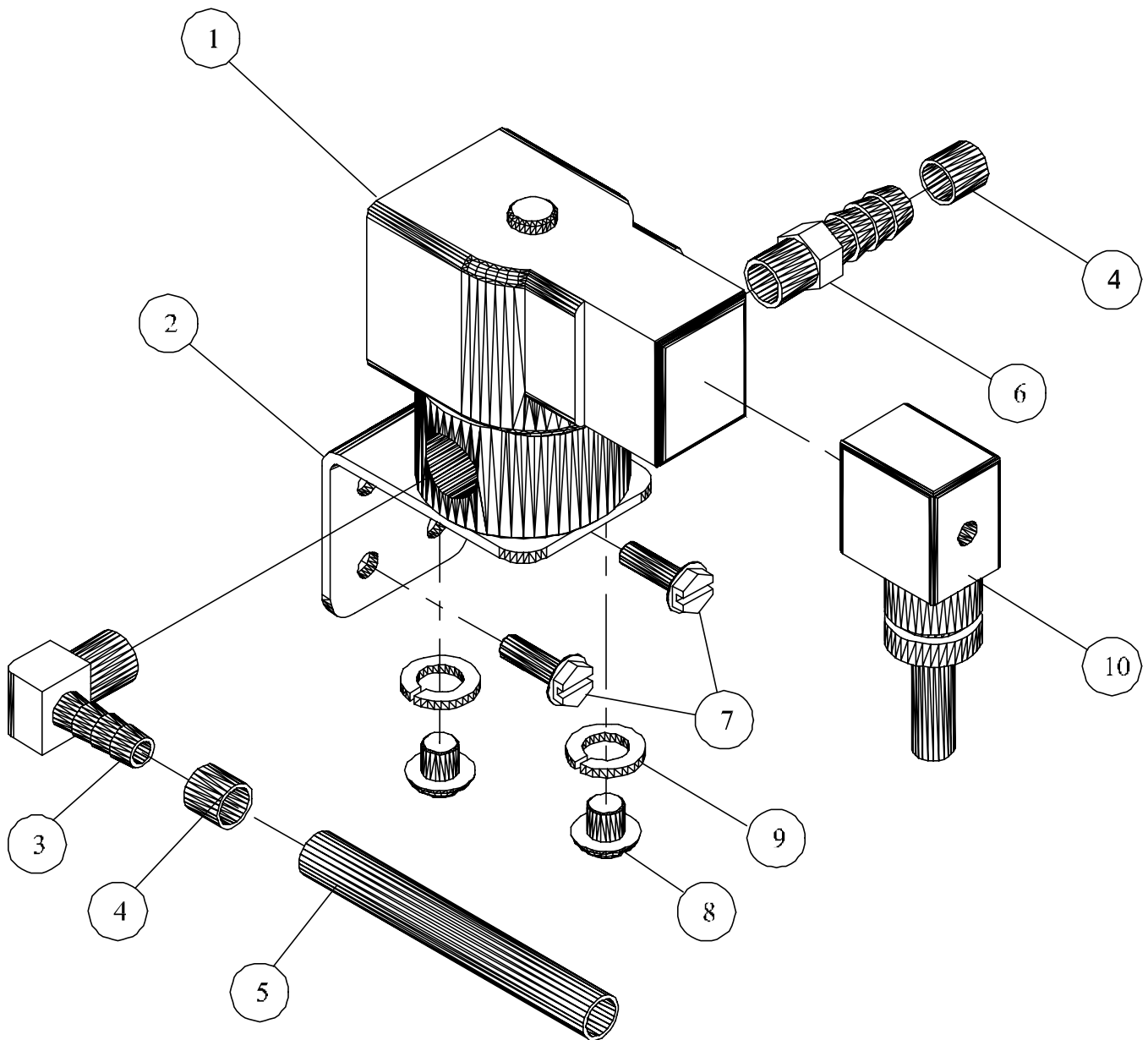
ITEM NO.	QTY.	DESCRIPTION	PART NO.
1A	1	NOZZLE, STEAM, 3/4 HEX, STEEL, PLATED, 3/8 X 3/8	JP3308-B
1B	1	NOZZLE, FAN, STEAM, 2" WIDE	JD 459
2	2	ORIFICE, STEAM, SS, #35	JP3175-16
3	2	COUPLING, HEX, BRASS, 3/8NPTF X 1/4 NPTF	JD 920-01
4	2	PLUG QUICK, COUPLING, BRASS, 1/4" NPTM	JD3103-04

FIGURE 1-8 (NOZZLE, STEAM & FAN, COMBINATION, FITTINGS, SJ 180, GES, ASSY)



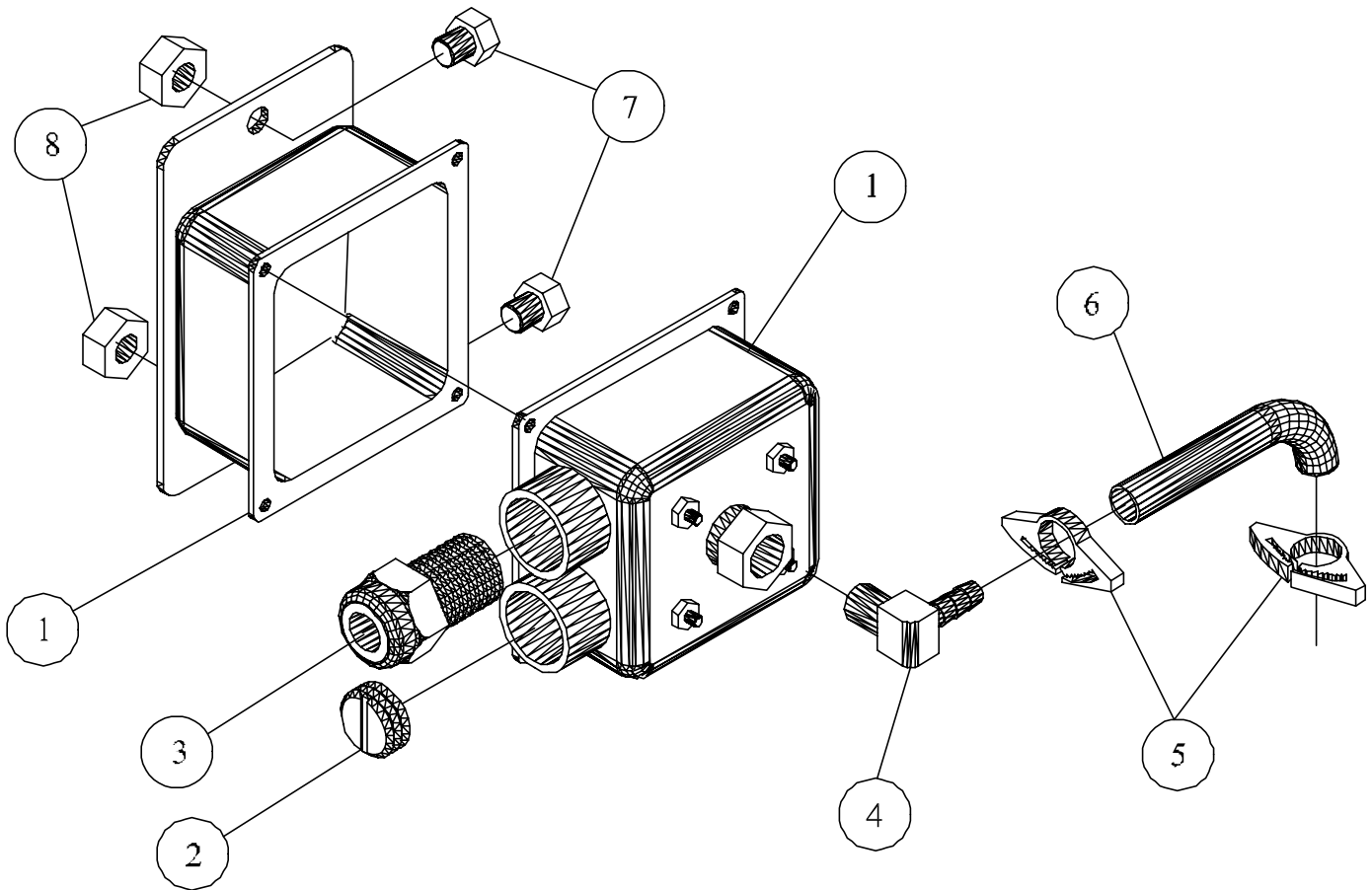
ITEM NO.	QTY.	DESCRIPTION	PART NO.
1	1	TANK, FLOAT, SS, BOLT-ON, ASSY	JD8015
2	1	BARB,HOSE,MALE,BRASS,1/4HSX1/8NPT	JD6132
3	1	VALVE,FLOAT,BRASS,60PSI,1/2"NPTM	JD2988-B
4	1	NUT, HEX, STEEL, PLATED, 1/4-20	JD 791
5	1	ROD, FLOAT, BENT, BRASS, 1/4 X 5-5/8 LG X 1/4-20	JD1416-02
6	1	BALL, FLOAT, PLASTIC, BLACK	JD1416-01
7	1	BARB,HOSE,ELBOW,MALE,BRASS,3/8HS X 3/8NPT	JD7149
8	1	STRAINER, WATER, SS, 30MESH, 47/64 O.D. X 3-1/8 LG	JD3843-B
9	2	BUSHING, REDUCER, HEX, BRASS, 3/4 X 3/8	JD3114
10	1	ELBOW, BARB, HOSE, MALE, PLASTIC, 1/2HS X 3/4NPT	JD7058

FIGURE 1-9 (Tank, Float, Fitting, JD8245-S, SJ 180 GES, Assy)



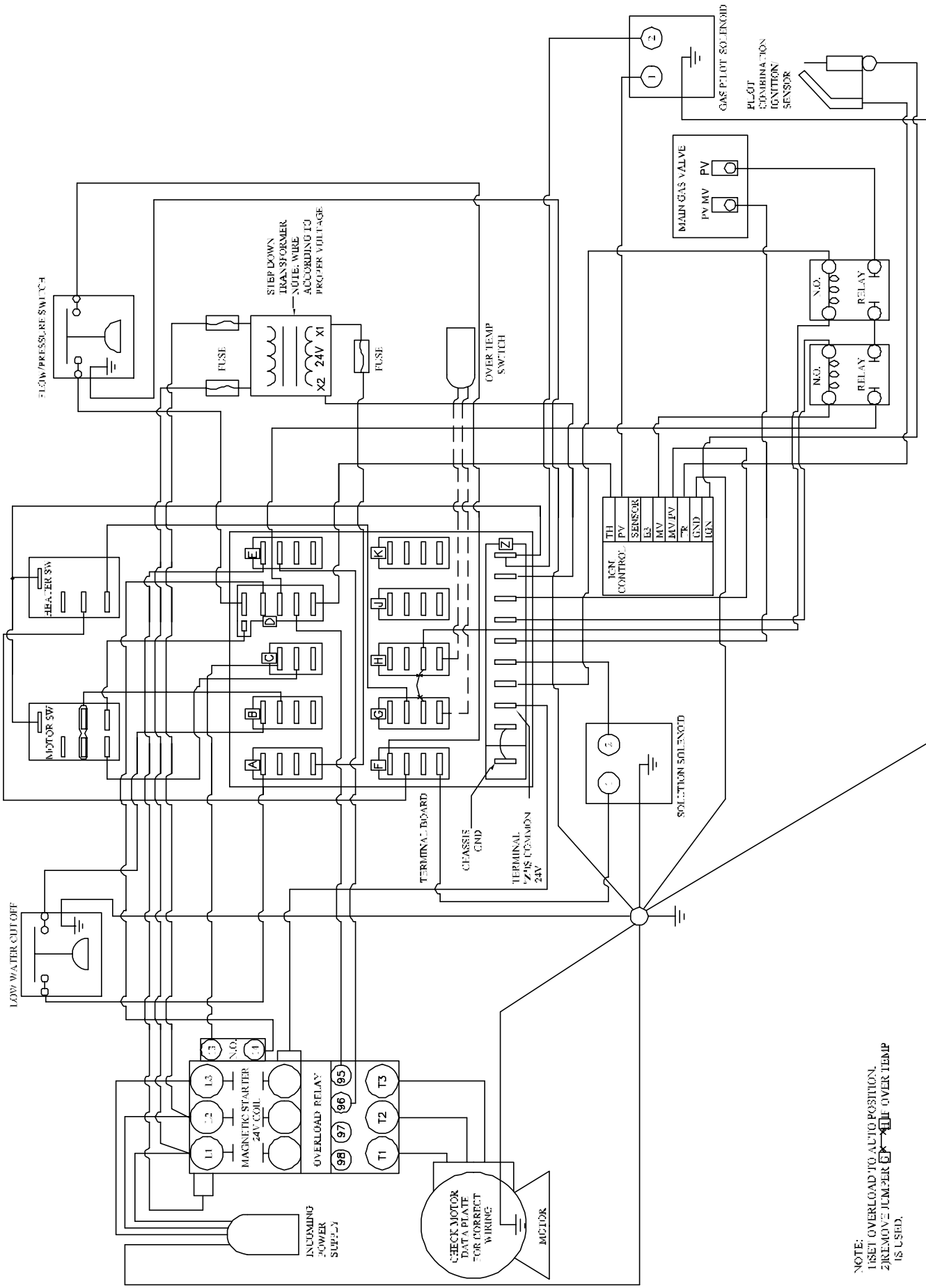
ITEM NO.	QTY.	DESCRIPTION	PART NO.
1	1	VALVE, SOLENOID, SOLUTION, 24V, 1/4NPT	JD2162-F
2	1	BRACKET, MOUNTING, SOLUTION, SOLENOID	JD7760
3	1	BARB, HOSE, ELBOW, MALE, BRASS, 1/4HS X 1/4 NPT	JD7078
4	2	CLAMP, SLEEVE, PLASTIC, 3/8 I.D.	JD2759
5	1	TUBING, PVC, CLEAR, 3/8 O.D. X 1/4 I.D.	JD3087
6	1	BARB HOSE 1/4 HS X 1/4 NPT	JD2765
7	2	SCREW, SLF, DRL, HEX WASHER, PLTD, #10 X 5/8	JD7074-A
8	2	SCREW, MACHINE, PHILLIPS, ST, PL, 10-32 X 3/8	JD3234
9	2	WASHER, LOCK, SPLIT, STEEL, PLATED, #10	JD624
10	1	CONNECTOR, SOLENOID, RELIEF, STRAIN, DIN	JD7703

FIGURE 20-1 (VALVE, SOLUTION, SOLENOID, JD2162-F, ASSY)



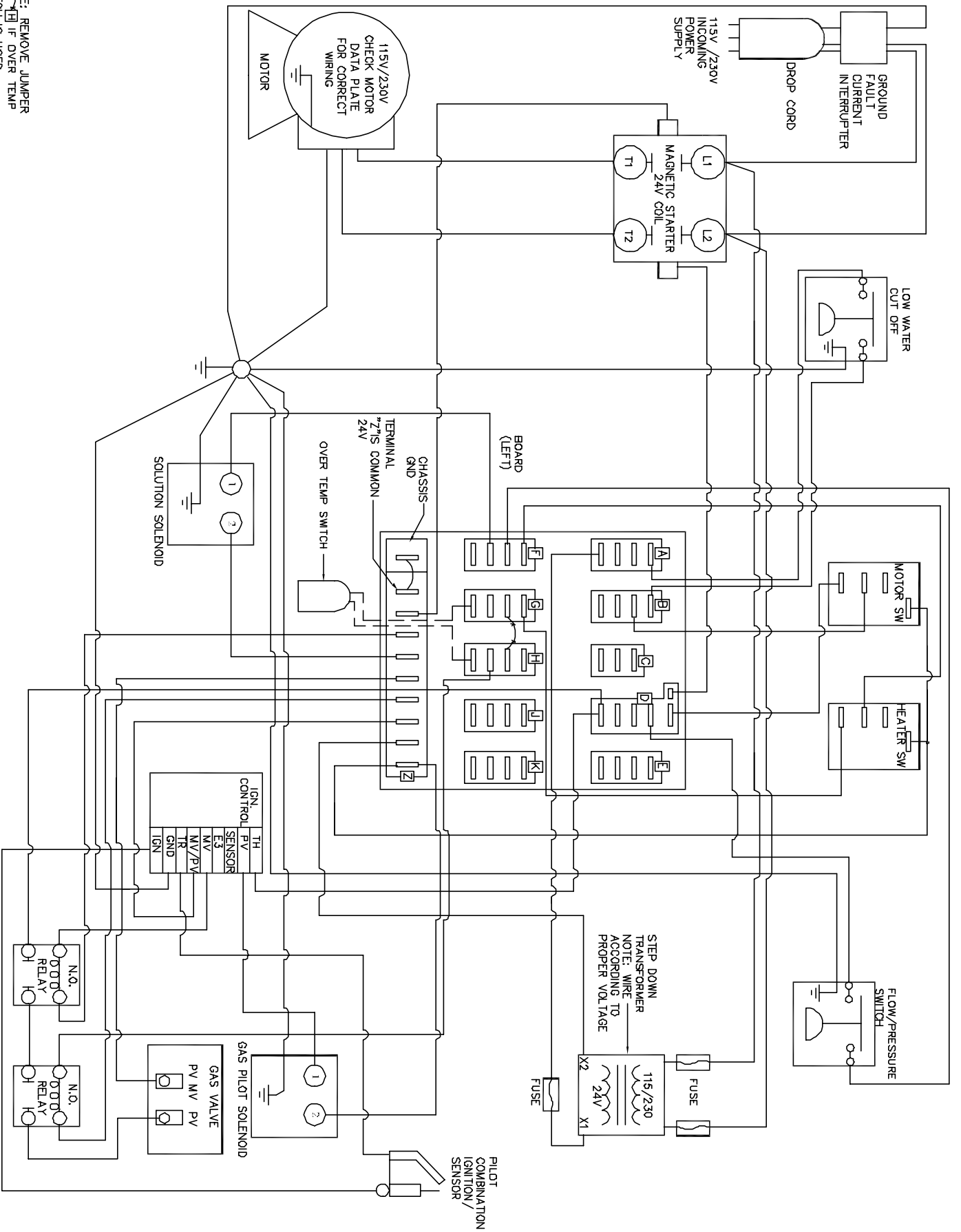
ITEM NO.	QTY.	DESCRIPTION	PART NO.
1	1	SWITCH, PRESSURE, W/BRACKET, WELDED ASSY	JP7731
2	1	PLUG, HOLE, BOX, JUNCTION, 1/2 NPS	JD7719
3	1	CONNECTOR, RELIEF, STRAIN, 1/4-3/8, 1/2NPM	JD1687-06
4	1	BARB, HOSE, ELBOW, MALE, BRASS, 1/4HS X 1/4NPT	JD7078
5	2	CLAMP, HOSE, NYLON, BLACK, .406/.468 DIA	JD-7859-A
6	1	TUBING, PVC, REINFORCED, 1/4ID	JD7850
7	2	SCREW, FLANGE, HEX, SERR,ST, PL, 1/4-20 X 1/2	JD7904-A
8	2	NUT, LOCK, FLANGE, HEX, SERR, ST, PL, 1/4-20	JD7774-D

FIGURE 20-2 (SWITCH, PRESSURE, W/BRACKET, WELDED, JD7731, ASS'Y)



NOTE:
 1. SET OVERLOAD TO AUTO POSITION.
 2. REMOVE JUMPER IF OVER TEMP IS USED.

File Name: Jw 306 Gas, Fired, S.I. Hot Pressure Washer, W/Mom & Dual-Relay, 3 Ph.
 (Electrical Schematic Diagram)



NOTE: REMOVE JUMPER
IF OVER TEMP
SWITCH IS USED.

(Electrical Schematic Diagram) JW 308 Diagram Wire Gas, Steam Jenny. | Ph. No-Mom. W/Dual Relay File Name: JW 308