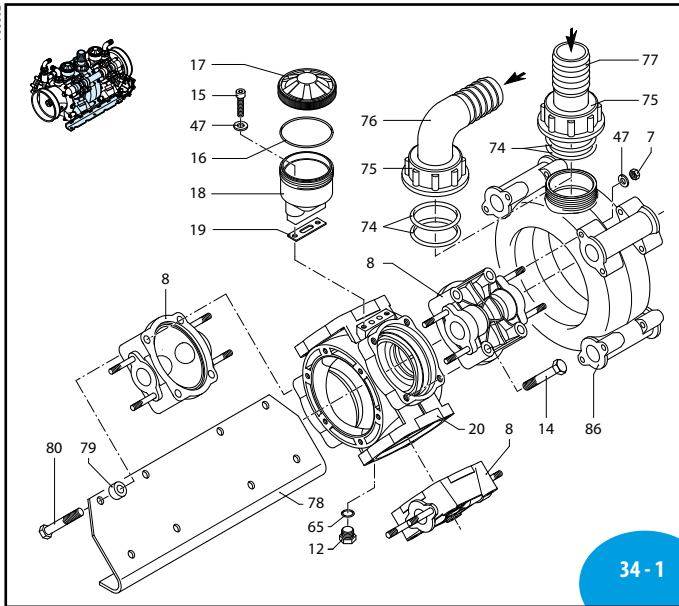


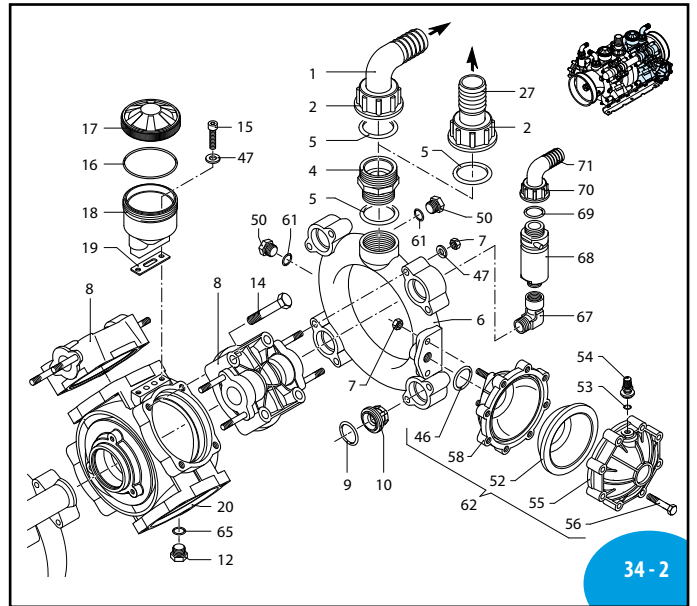
## AR 320 bp TWIN - AR 370 bp TWIN

768602



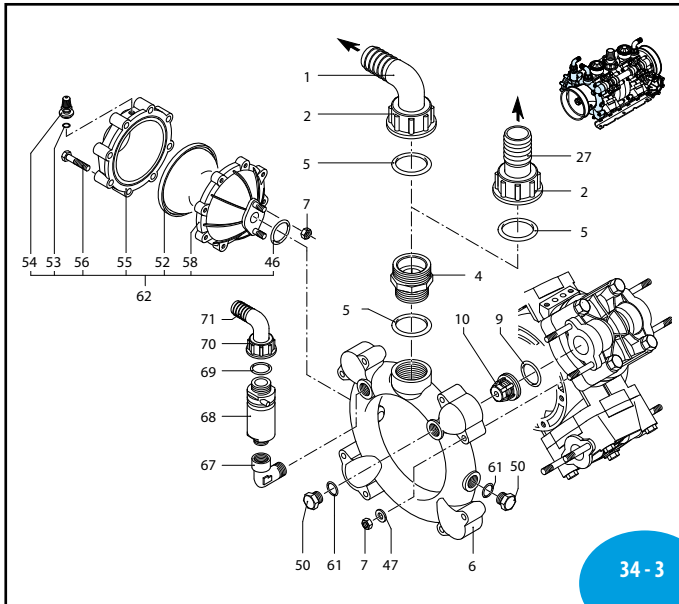
34-1

UN990005-IB



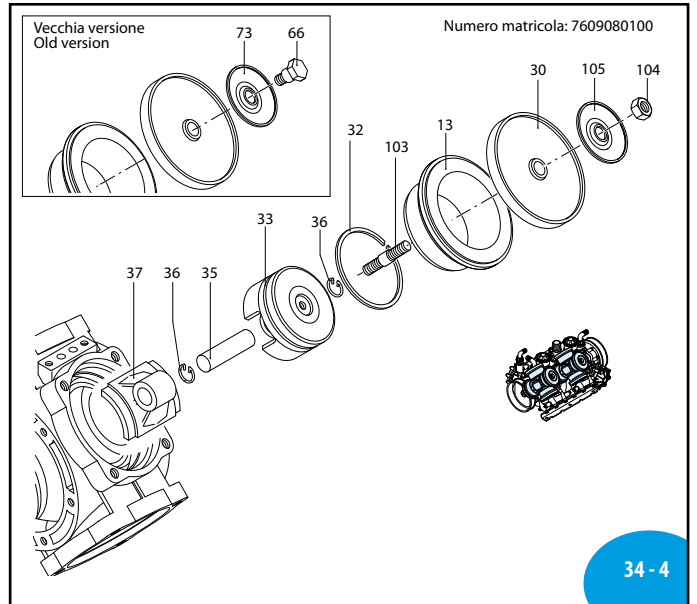
34-2

UN990006-IC



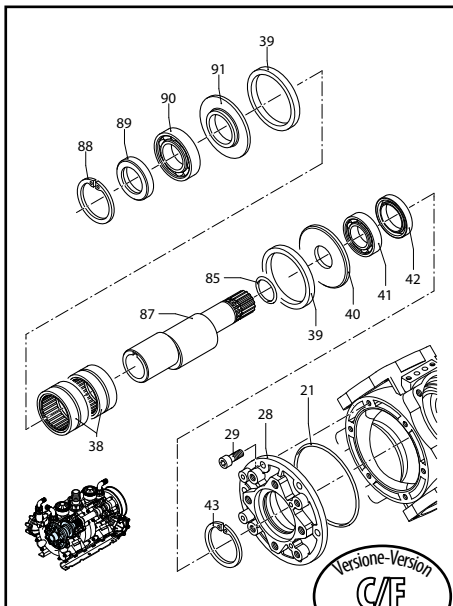
34-3

UN990007-IC

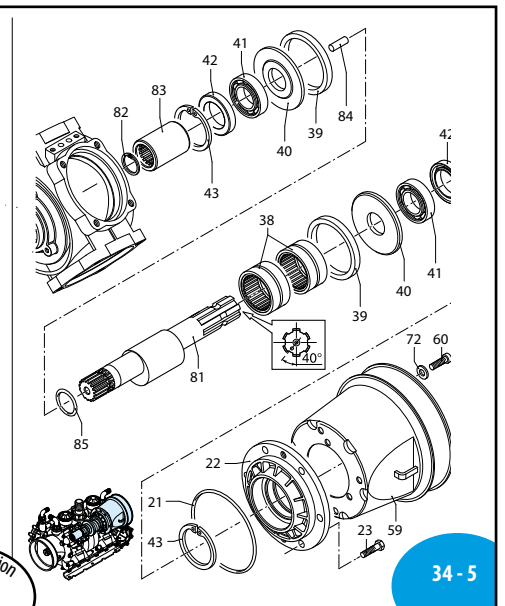
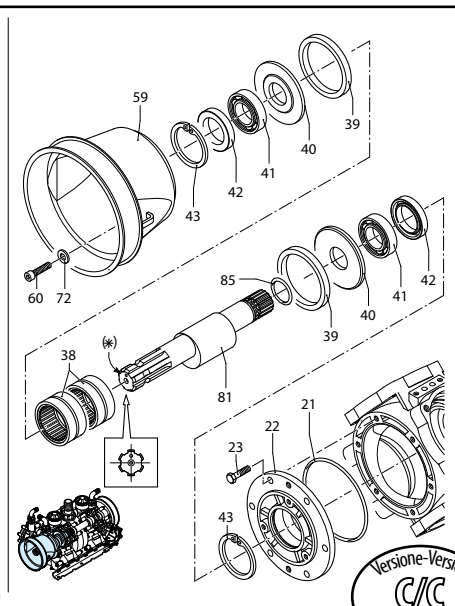


34-4

SL000128-EX



UN001219-IB



34-5

MI 91404

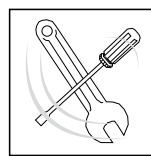
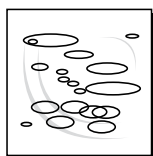
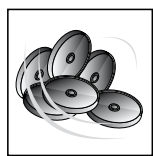
# AR 320 bp TWIN - AR 370 bp TWIN

sp\_ar320\_370bp\_twin.pdf

Pos.	Cod.	Descrizione	Description	Q.ty	Note
1	392130	Curva ø 35	Elbow	2	Optional
2	540540	Girello 1"3/4 G	Ring nut	2	
4	540530	Nipples 1"1/4-1"3/4 G (M)	Threaded adapter	2	
5	250310	OR ø 36,14x2,62	O-Ring	4	
6	760070	Condotto mandata	Manifold	2	
7	380242	Dado M 8	Nut	36	Geomet C <sub>20</sub>
8	750100	Testa porta valvole	Head	8	
9	680070	OR ø 31,5x4,25	O-Ring	16	
10	759051	Valvola completa	Complete valve	16	
12	880530	Tappo 3/8" G	Plug	2	C <sub>20</sub>
13	750110	Camicia	Sleeve	8	AR 320 bp
	750115	Camicia	Sleeve	8	AR 370 bp
14	750061	Vite TE M 12x65	Bolt	16	Geomet C <sub>49</sub>
15	680350	Vite TCEI M 8x35	Bolt	4	C <sub>20</sub>
16	1040060	OR ø 72,69x2,62	O-Ring	2	
17	1800060	Tappo serbatoio nero	Black oil tank cap	2	AR 320 bp
	750050	Tappo serbatoio rosso	Red oil tank cap	2	AR 370 bp
18	750030	Serbatoio olio	Oil tank	2	
19	750040	Guarnizione serbatoio	Gasket	2	
20	760010	Corpo pompa	Pump body	2	
21	851360	OR ø 120,32x2,62	O-Ring	2	☒
22	680020	Supporto albero	Shaft support	2	⊕
23	160672	Vite TE M 10x25	Bolt	12	Geomet ☑ C <sub>40</sub>
27	391930	Portagomma ø 35	Hose tail	2	
28	2420181	Supporto albero	Shaft support	1	⊕
29	621500	Vite TCEI M 10x25	Bolt	6	☑ C <sub>40</sub>
	550080	Membrana	Diaphragm	8	Gomma
	550084	Membrana	Diaphragm	8	Viton
	550085	Membrana	Diaphragm	8	Desmopan
	550086	Membrana	Diaphragm	8	H.P.D.S.
32	500260	Segmento	Piston ring	8	
33	750122	Pistone	Piston	8	
35	160700	Spinotto	Pin	8	
36	160691	Anellino spinotto	Pin ring	16	
37	760140	Biella	Connecting rod	8	
38	750090	Cuscinetto a rullini	Roller bearing	4	
39	750130	Anello biella	Con rod ring	4	
40	540040	Piastra distanziale	Spacer washer	4	
41	230350	Cuscinetto	Bearing	4	☒
42	160740	Anello tenuta	Seal ring	4	☒
43	200390	Anello seeger	Circlip	4	
46	390290	OR ø 29x3	O-Ring	2	☒
47	380243	Rosetta øi 8,5	Washer	36	Geomet
50	330173	Tappo 1/2" G	Plug	4	Geomet ⊕ C <sub>20</sub>
	550190	Semicamera aria	Semi air chamber	2	Gomma
	550191	Semicamera aria	Semi air chamber	2	Saturflon
	550192	Semicamera aria	Semi air chamber	2	Viton
53	650542	Guarnizione	Gasket	2	

Pos.	Cod.	Descrizione	Description	Q.ty	Note
54	180020	Valvola di gonfiaggio	Air valve	2	
55	620232	Semisfera superiore	Upper air chamber	12	Nera / Black
56	621781	Vite TE M 8x40	Bolt	16	Geomet C <sub>20</sub>
58	680180	Semisfera inferiore	Lower air chamber	2	
59	1500470	Protezione cardano	Cardan protection	2	
60	850251	Vite TCEI M 8x12	Bolt	6	Geomet C <sub>20</sub>
61	180101	OR ø 17,5x2	O-Ring	4	
62	1552	Camera aria completa	Complete air chamber	2	
65	740290	OR ø 14x1,78	O-Ring	2	
66	580360	Perno membrana	Diaphragm pin	8	○ C <sub>20</sub>
67	881560	Gomito 90° 1/2" G (M)-(F)	Elbow	2	☑
68	1609000	Valvola di sicurezza	Safety valve	2	■
69	880831	OR ø 15,54x2,62	O-Ring	2	
70	550450	Girello 3/4" G	Ring nut	2	
71	550460	Curva ø 18	Elbow	2	
72	390314	Rondella øi 8,5	Washer	6	Geomet
73	580370	Piattello	Plate	8	
74	750740	OR ø 56,74x3,53	O-Ring	2	
75	750710	Girello 2"1/2 G	Ring nut	1	Optional
76	750850	Curva ø 50	Elbow	1	Optional
77	750720	Curva ø 60	Elbow	1	Optional
	750870	Portagomma ø 50	Hose tail	1	Optional
	750730	Portagomma ø 60	Hose tail	1	
78	760170	Piede	Base	2	Cataforesi
79	760180	Distanziale piede	Spacer	16	
80	760190	Vite TE M 12x80	Bolt	16	Geomet C <sub>50</sub>
	750820	Albero eccentrico	Crankshaft	2	AR 320 bp (AY)
81	760131	Albero eccentrico	Crankshaft	2	AR 370 bp (AK)
82	760260	Anello seeger	Circlip	1	
83	760151	Giunto	Joint	1	
84	760161	Perno collegamento	Pin	1	
85	620030	OR ø 25,80x3,53	O-Ring	2	☒
86	760120	Condotto aspirazione	Suction manifold	1	
87	760470	Albero ecc. "C/F" (ø32)	"C/F" (ø32) shaft	1	AR 320 bp (BK)
	760480	Albero ecc. "C/F" (ø32)	"C/F" (ø32) shaft	1	AR 370 bp (BY)
88	620330	Anello seeger	Circlip	1	
89	1800090	Anello tenuta	Seal ring	1	☒
90	230310	Cuscinetto	Bearing	1	☒
91	760510	Piastra distanziale	Spacer washer	2	
103	2240100	Prigioniero	Stud	8	■ C <sub>25</sub>
104	2240110	Dado	Nut	8	● C <sub>20</sub>
105	751250	Piattello	Plate	8	

Bassa Pressione  
Low Pressure



KIT 2371 (q.ty2)	
Membrane gomma Buna diaphragms	
KIT 2372 (q.ty2)	
Membrane HPDS HPDS diaphragms	
KIT 2373 (q.ty2)	
Membrane Desmopan Desmopan diaphragms	
Pos.	Q.ty
30	8

KIT 2374 (q.ty2)	
Valvole Valves	
Pos.	Q.ty
9	16
10	16

KIT 2406	
OR O-Rings	
Pos.	Q.ty
5	4
9	16
16	2
46	2
53	2
61	4
65	2
74	2
85	2

KIT 2407					
Pronto intervento Maintenance repair					
Pos.	Q.ty	Pos.	Q.ty	Pos.	Q.ty
2	1	27	2	85	2
4	1	30	8	103	8
5	4	42	4	104	8
9	16	46	2	105	8
10	16	52	2		
16	2	74	2		
17	2	75	1		
18	2	77	1		
19	2	82	1		
21	2	84	1		

Olio utilizzato	
Used oil	
Tipo - Type	Kg
SAE 30	2,8