

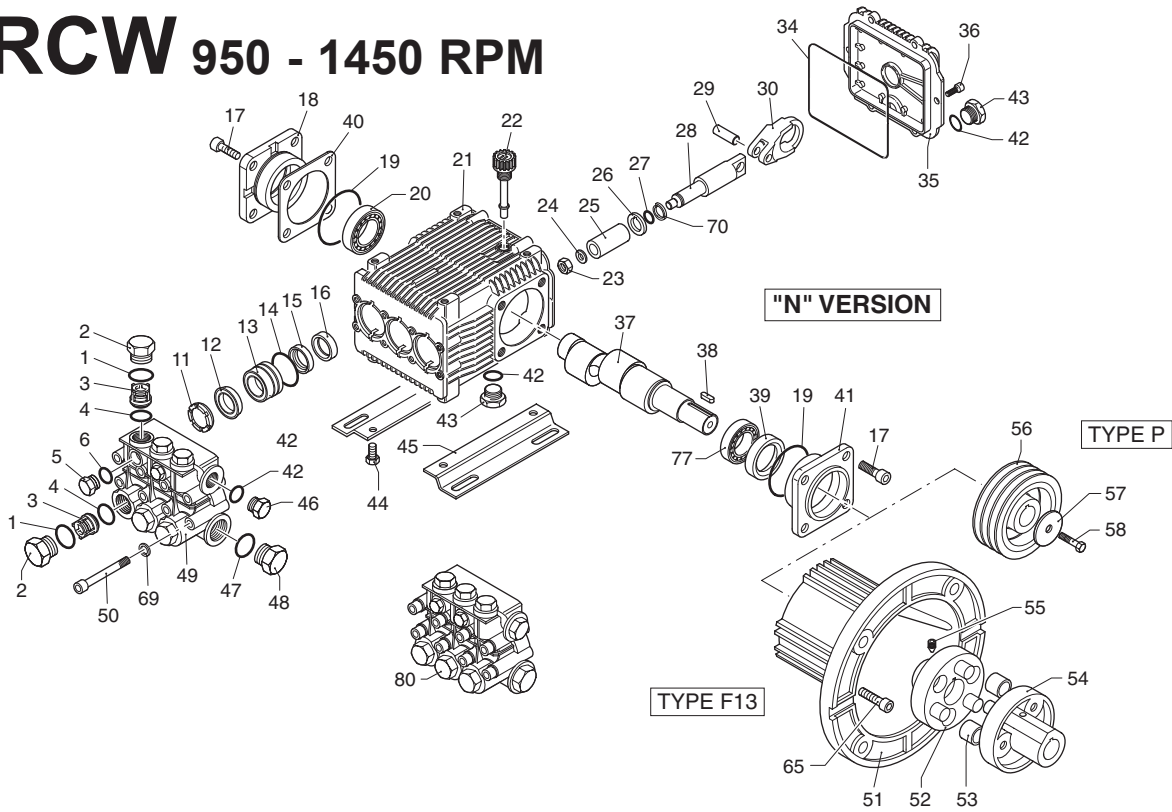
RCW 950 - 1450 RPM

RCW 15.14
950 RPM

RCW 15.15
1450 RPM

RCW 11.10
1450 RPM

RCW 10.15
950 RPM



Pos	Code	Description	Qty	Pos	Code	Description	Qty	Pos	Code	Description	Qty
1	960160	O-Ring Ø 17.86x2.62mm	6	28	1383240	Piston Guide	3	52	1380300	Pump Coupling	1
2	1380740	Valve Cap	6	29	1380060	Piston Pin	3	53	1321670	Bushing	6
3	1389051	Complete Valve	6	30	1383020	Bronze Con-Rod	3	54	1380340	Motor Coupling	1
4	880830	O-Ring Ø 15.54x2.62mm	6	34	1780510	O-Ring Ø 106x3mm	1	55	1380180	Grub Screw M 6x10	1
5	1380690	Plug 1/4" G	2	35	1789010	Complete Cover	1	65	540290	Screw TCEI M 8x25	4
6	820510	O-Ring Ø 10.82x1.78mm	2	36	1343510	Screw TCEI M 6x14	6	69	1381850	Washer	8
11	960110	Support Ring Ø18mm	3	37	2280060	Crankshaft	1	70	1080550	Ring	3
12	1382740	Gasket Ø18mm	3	37	2280070	Crankshaft	1	77	1383140	Bearing	1
	1940270	Gasket Ø22mm	3		2280100	Crankshaft	1	78	1383400	O-Ring Ø 18.77x1.78mm	3
13	1382670	Piston Guide Ø18mm	3	38	1380520	Key	1		1941220	O-Ring Ø 22x2mm	3
	1382730	Piston Guide Ø22mm	3	39	180340	Seal	1	79	1382570	Spacer Ø 18mm	3
14	961240	O-Ring Ø 31.47x1.78mm	3		1380120	Shim 0.1mm	1		1382710	Spacer Ø 22mm	3
15	1382590	Gasket W2	3	40	1380130	Shim 0.2mm	1	80	1389261	Head Pre-Assem. Ø 18mm	1
	1940480	Gasket W2	3		1380530	Shim 0.25mm	1		1389262	Head Pre-Assem. Ø 22mm	1
16	1383130	Oil Seal	3		1382810	Shim 0.05mm	1				
17	850370	Screw TCEI M 8x16mm	8	41	1380040	Open Bearing Support	1				
18	1380050	Closed Bearing Support	1	42	740290	O-Ring Ø 14x1.78mm	3				
19	640030	O-Ring Ø 60x2.62mm	2	43	1980740	Plug 3/8"G	2				
20	2280340	Bearing	1	44	1260470	Screw TE M 8x10 (optional)	4				
21	1382770	Pump Housing	1	45	1380141	Base (optional)	2				
22	880130	Oil Cap	1	46	1981180	Plug 3/8"G	1				
23	1260110	Nut M 8	3	47	180101	O-Ring Ø 17.5x2mm	1				
24	1260100	Washer	3	48	960870	Plug 1/2"G	1				
25	1383230	Piston Ø 18mm	3	49	1381070	Pump Head Ø 18mm	1				
	1383340	Piston Ø 22mm	3		1380680	Pump Head Ø 22mm	1				
26	1383350	Spacer	3	50	1383440	Screw TCEI M 8x70	8				
27	480480	O-Ring Ø 4.48x1.78mm	3	51	1380380	Flange F13	1				

Legend

Ø 18 mm

Ø 22 mm

RCW 10.15 950 RPM	○	RCW 15.14 950 RPM	△
RCW 11.10 1450 RPM	●		
RCW 15.15 1450 RPM	▼		

Repair Kits

Kit 2500 Piston Ø 18mm - ■		Kit 2501 Pistons Ø 22mm - □		Kit 2864 Valves	
Pos	Qty.	Pos	Qty.	Pos	Qty.
25	3	25	3	3	6
				4	6

Kit 1855 Oil Seals		Kit 2502 Water Seals Ø 18mm - ■		Kit 2503 Water Seals Ø 22mm - □	
Pos	Qty.	Pos	Qty.	Pos	Qty.
16	3	11	3	12	3
19	1	12	3	14	3
34	1	14	3	15	3
39	1	15	3	78	3
		78	3	79	3
		79	3		