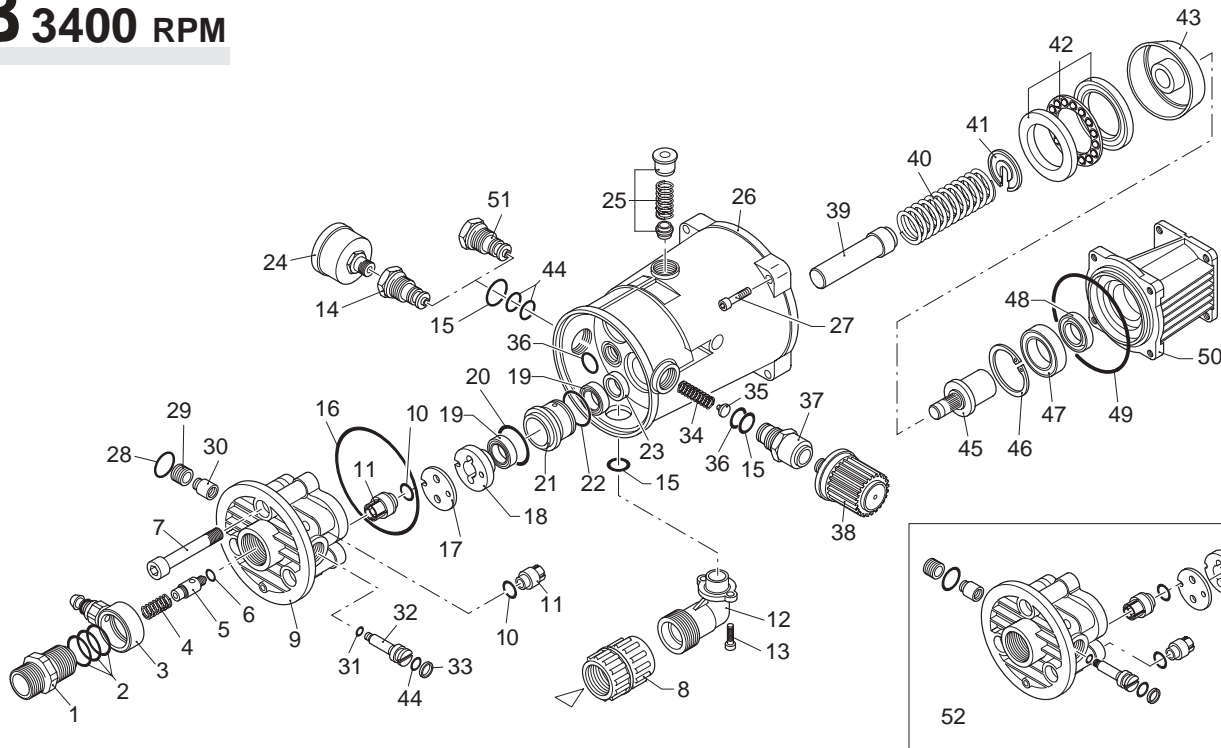


XB 3400 RPM



Pos.	Code	Description	Qty.	Pos.	Code	Description	Qty.
1	1460420	Outlet fitting	1	43	1461680	Wobble plate	1
2	770570	O-Ring	3	44	1080250	O-Ring	2
3	1469040	Detergent adapt. compl.	1	45	1463320	Hollow shaft	1
4	1540140	Spring	1	46	881670	Circlip	1
5	1460260	Piston	1	47	1465310	Bearing	1
6	1460430	O-Ring	1	48	1140380	Seal	1
7	800860	Bolt	3	49	1461300	O-Ring	1
8	2605	Suction fitting	1	50	1463330	Flange "S" version	1
9	1460020	Pump manifold	1	51	1462200	No gauge tap	1
10	800560	O-Ring	6	52	1469400	Head pre-assembly	1
11	1349053	Valve	6				
12	1466960	Suction fitting	1				
13	480623	Bolt	2				
14	1460210	Pressure gauge fitting	1				
15	740290	O-Ring	3				
16	1470420	O-Ring	1				
17	1461400	Disc	3				
18	1460240	Support ring	3				
19	1460480	Gasket C1	2				
20	550350	O-Ring	3				
21	1469407	Piston guide	1				
22	770130	O-Ring	1				
23	1460510	Seal	3				
24	3225	Pressure gauge	1				
25	1461410	Evacuation cage compl	1				
26	1460011	Anodized pump body	1				
27	1040370	Bolt	4				
28	880840	O-Ring	1				
29	1465160	Seat	1				
30	1460150	Lower piston	1				
31	1080190	O-Ring	1				
32	1460140	Upper piston	1				
33	1080401	Ring	1				
34	1460190	Spring	1				
35	1460200	Plate	1				
36	1465720	O-Ring	4				
37	1460170	Spring guide	1				
38	1469110	Complete knob	1				
39	1470730	Piston	3				
40	1460250	Spring	3				
41	1460120	Spring plate	3				
42	1469010	Rail	1				

Legend

For ○ XB2G15 For □ XB8.10

Repair Kits

Water Seals		Valves		Pistons		O-Rings	
Kit 2044		Kit 1880		Kit 2769		Kit 2043	
Pos.	Qty.	Pos.	Qty.	Pos.	Qty.	Pos.	Qty.
19	6	10	6	39	3	2	3
20	3	11	6			6	1
22	3					15	3
						16	1
						23	3
						31	1
						33	1
						36	4
						44	2