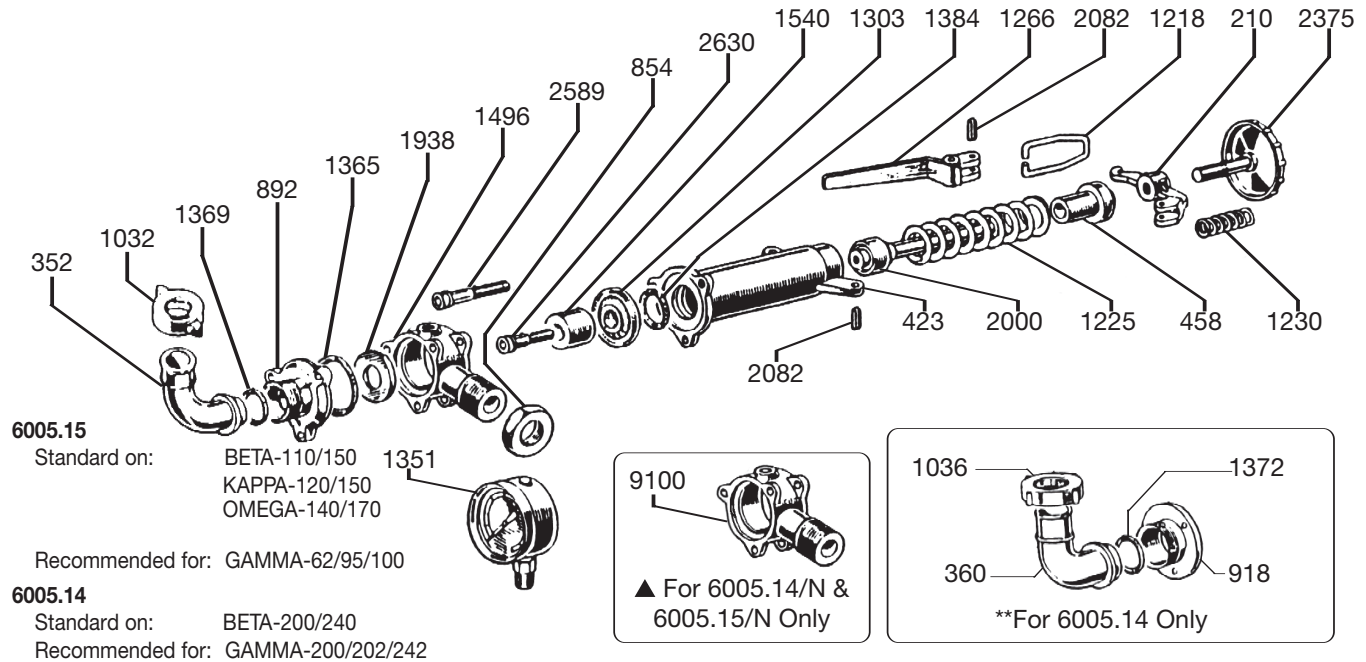




6005.15 & 6005.14 Control Unit

Operating Instructions and Parts List



6005.15 & 6005.14

REF#	PART#	DESCRIPTION	QTY	REF#	PART#	DESCRIPTION	QTY
210	0101.01	Lever Guide	1	*1303	0903.25	R.V. Diaphragm	1
352	0202.04	1" Brass Elbow Hose Barb	1	1351	GG1500	Pressure Gauge (Optional)	1
**360	0202.92	1-1/4" Brass Elbow Hose Barb (6005.14)	1	*1365	1101.01	O-Ring	1
423	0204.31	Valve Body	1	1369	1101.05	O-Ring	1
458	0205.09	Valve Cylinder	1	**1372	1101.08	O-Ring (6005.14)	1
854	0303.41	Nut	1	*1384	1101.31	O-Ring	1
892	0501.12	Flange	1	1496	1203.35	R.V. Elbow	1
*918	0501.66	Flange (6005.14)	1	*1540	1204.13	Poppet	1
1032	0604.01	Barb Nut	1	*1938	1501.25	Seat	1
**1036	0604.13	Barb Nut (6005.14)	1	2000	1503.11	Regulator Stem	1
1218	0901.10	Pressure Bail	1	2082	1507.07	Pin	2
1225	0901.26	R.V. Spring	1	2375	1801.01	Adjustment Knob	1
1230	0901.05	R.V. Spring - Small	1	2589	1805.26	Bolt	3
1266	0902.01	R.V. Handle	1	*2630	1810.01	S.S. Bolt	1
				▲ 9100	1203.35/N	3/4" MNPT R.V. Elbow	1

* Parts Included in Repair Kit - #8701.03. ** Parts for 6005.14 Control Unit Only.

OPERATING INSTRUCTIONS

1. Before operating or re-operating pump, lift R.V. Handle (Ref. #1266) so pump will start at zero pressure. FAILURE TO DO SO WILL VOID PUMP WARRANTY.
2. Turn Pressure Adjustment Knob (Ref. #2375) counter-clockwise to relieve spring tension. (Step 2 is only necessary on initial start-up and is not necessary for daily operation.)
3. Start unit and let run until air is evacuated from system, when only liquid is expelled from the bypass line.
4. Return R.V. Handle (Ref. #1266) to down position. Open spray gun or spray boom and turn adjustment knob (Ref. #2375) clockwise until desired operating pressure is achieved.

PROTECT PUMP FROM FREEZING.

If freezing conditions exist, flush pump with a 50/50 mixture of antifreeze and water.