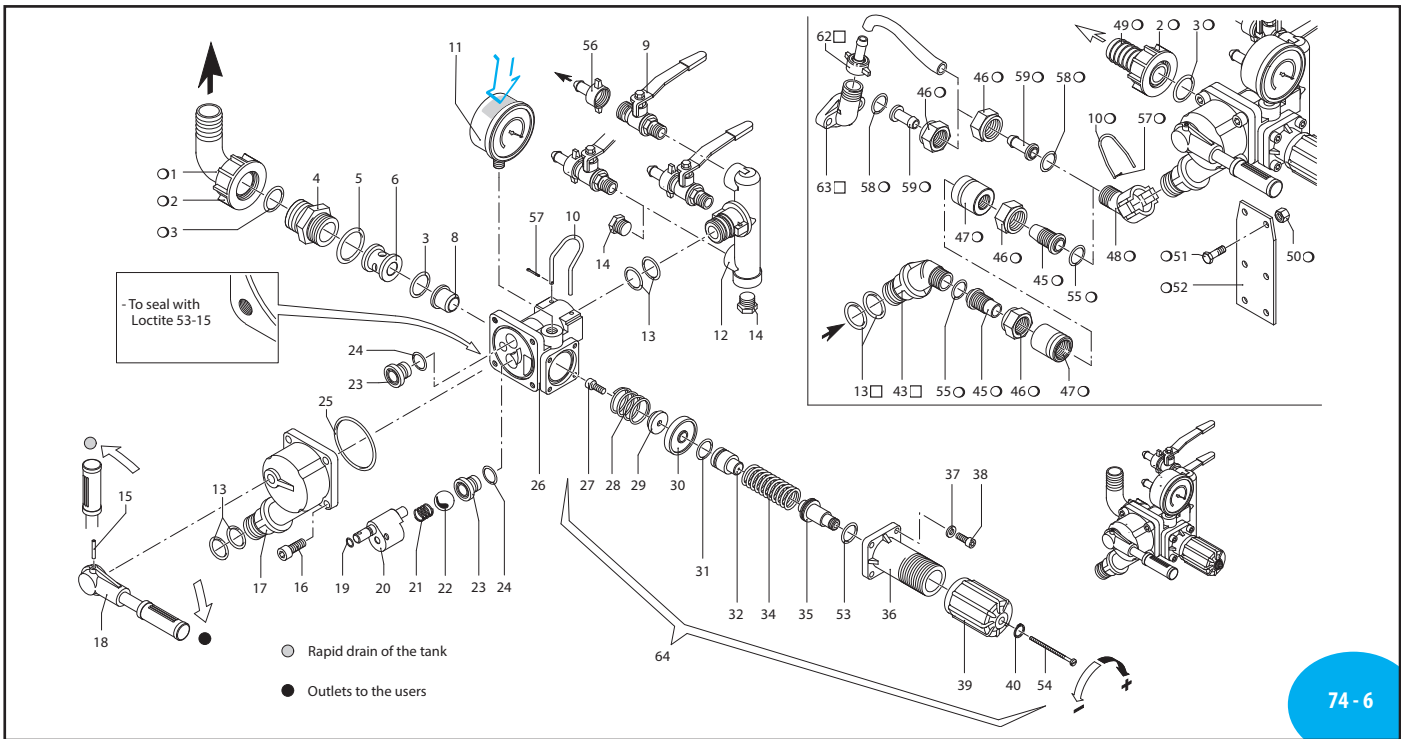


A.R. NORTH AMERICA VDR 50



Pos	Code	Description	Qty	Note
1	550370	Elbow Ø 25	1	
2	550242	Ring nut 1" G	1	
3	550350	O-ring Ø 23.81x2.62	2	▶
4	1040780	Fitting 1" G M-M	1	
5	550040	O-ring Ø 26.65x2.62	1	▶
6	1040670	Spacer	1	
8	1040660	Seat	1	SS
9	130491	Cock 3/8" G - 1/2" G M-M DX	3	⊕
10	1040690	Fork	2	
11	550545	Pressure gauge	1	0-1150 PSI ⊕
	1151010	Pressure gauge	1	Ø 63 0-725-1150 PSI ⊕
12	1040680	Body	1	
13	390180	O-ring Ø 18.72x2.62	6	
14	130171	Plug 3/8" G	2	⊕ C ₂₀
15	1040820	Pin	1	
16	108030	Screw TCEI M8x20	4	⊕ C ₂₀
17	1040720	Body distributor	1	
18	1040730	Knob	1	
19	1080200	O-ring Ø 5.6x2.2	1	▶
20	1040700	Hub pin	1	⊗
21	850680	Spring	1	⊗
22	850660	Ball	1	SS
23	850650	Seat	2	
24	740290	O-ring Ø 14x1.78	2	▶
25	1040710	O-ring Ø 56x2	1	▶
26	1040600	Body	1	
27	680560	Screw TCEI M6x16	1	SS ⊕ C ₁₀
28	1040650	Spring	1	⊗
29	1040640	Valve	1	SS
30	1040630	Diaphragm	1	Desmopan ⊗
	1040631	Diaphragm	1	NBR ⊗
31	880833	O-ring Ø 15.54x2.62	1	90 Sh ⊗
32	1040622	Piston	1	⊗
34	1040830	Spring	1	⊗
35	394770	Hub pin	1	
36	1040610	Body spring guide	1	
37	550331	Washer	4	
38	1040370	Screw TCEI M6x22	4	C ₄
39	394790	Knob	1	
40	480550	Ring circlip Øe 12	1	▶
43	1040760	Fitting 3/4" G M	1	

Pos	Code	Description	Qty	Note
45	1040810	Hose tail Ø 13x24	2	
	850780	Hose tail Ø 19x34	2	
46	1040790	Ring nut 3/4" G	2	For ø 13
	850790	Ring nut 3/4" G	2	For ø 19
47	1040800	Ring nut	2	For ø 13
	850770	Ring nut	2	For ø 19
48	1040770	Fitting	1	
49	550210	Pipe Ø 25	1	
50	390270	Nut M8	2	C ₂₀
51	180370	Screw TE M8x25	2	C ₂₀
52	850690	Bracket	1	
53	770130	O-ring Ø 20.35x1.78	1	⊗
54	1150650	Screw TCTC M3x60	1	⊕ C ₅
55	960160	O-ring Ø 17.86x2.62	2	▶
56	110131	Ring nut 1/2"	3	
57	1040950	Split pin	2	
58	880830	O-ring Ø 15.54x2.62	2	▶
59	1150580	Hose tail Ø 13	2	
62	110130	Ring nut 1/2"	1	
63	450145	Flange	1	
64	1362	Valve kit adjustment	1	

○ No part of VDR 50
□ Part of pump

KIT 1955 O-Rings	
Pos.	Qty
3	2
5	1
13	4
19	1
24	2
25	1
31	1
53	1
55	2

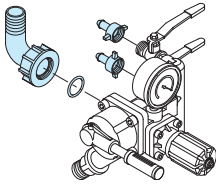
KIT 1956 Maintenance repair N° 1			
Pos.	Qty	Pos.	Qty
3	2	24	2
5	1	25	1
10	2	28	1
13	4	29	1
15	1	30	1
19	1	31	1
21	1	39	1
22	1	53	1
23	2	57	2

KIT 2484 Mant. rep. N° 2	
Pos.	Qty
3	2
5	1
8	1
27	1
29	1
30	1
31	1

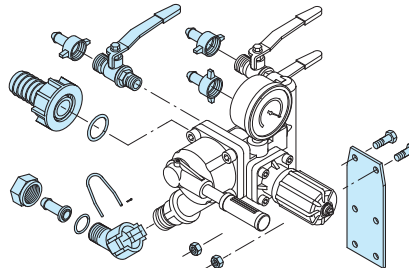
VDR 50

Kit For VDR 50

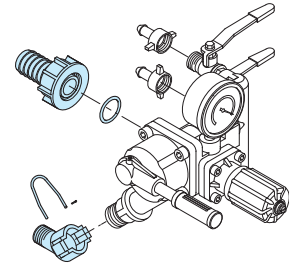
KIT 978 "I"



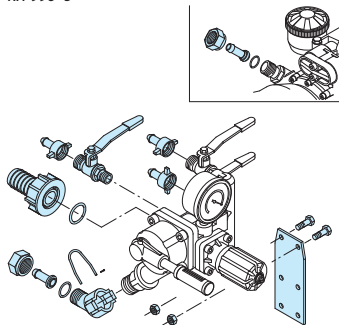
KIT 991 "S"



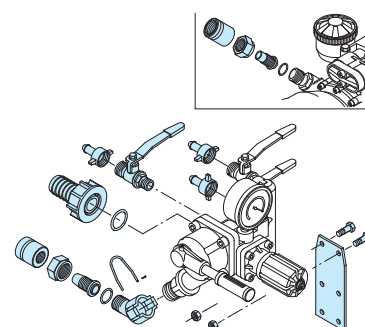
KIT 946 "I" - "S"



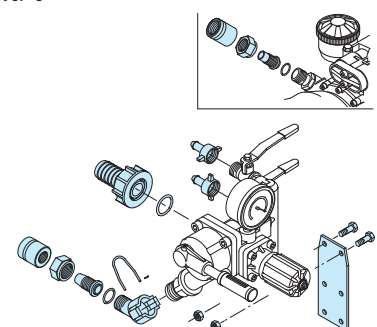
KIT 998 "S"



KIT 986 "S"



KIT 987 "S"

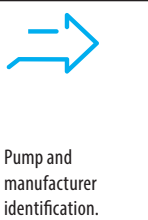


Build-in control unit and remote control

KIT 978 "I"
Build in control

Pos.	Qty	Pos.	Qty
1	1		
2	1		
3	1		
56	2		

For AR 713 - AR 813 - AR 1064



KIT 991 "S"
Remote control

Pos.	Qty	Pos.	Qty
2	1	56	3
3	1	57	1
9	1	58	1
10	1	59	1
46	1		
48	1		
49	1		
50	2		
51	2		
52	1		

For AR 30 - AR 50

KIT 946 "S"
Remote control

Pos.	Qty	Pos.	Qty
2	1	2	1
3	1	3	1
10	1	10	1
48	1	48	1
49	1	49	1
57	1	57	1

For AR 503 - AR 713
AR 813 - AR 1064
AR 903 - AR 1053
AR 1203
BHA/BHS/BHP 130

KIT 946 "I"
Build in control

Pos.	Qty	Pos.	Qty
2	1		
3	1		
10	1		
48	1		
49	1		
57	1		

For AR 903
AR 1053 - AR 1203
BHS 90 - 105 - 120

KIT 998 "S"
Remote control

Pos.	Qty	Pos.	Qty
2	1	50	2
3	1	51	2
9	1	52	1
1	1	56	3
46	2	57	1
48	1	58	2
49	1	59	2

For AR 503 - AR 903 - AR 1053 - AR 1203
AR 713 - AR 813 - AR 1064 - AR 1265
BHA/BHS/BHP 130

KIT 986 "S"
Remote control $\varnothing 13 \times 24 \text{ mm}$

Pos.	Qty	Pos.	Qty
2	1	49	1
3	1	50	2
9	1	51	2
10	1	52	1
45	2	55	2
46	2	56	3
47	2	57	1
48	1		

For AR 503 - AR 713 - AR 813

KIT 987 "S"
Remote control $\varnothing 19 \times 34 \text{ mm}$

Pos.	Qty	Pos.	Qty
2	1	49	1
3	1	50	2
10	1	51	2
45	2	52	1
46	2	55	2
47	2	56	2
48	1	57	1

For AR 903 - AR 1053 - AR 1203
AR 1064 - BHA/BHS/BHP 130

Control units