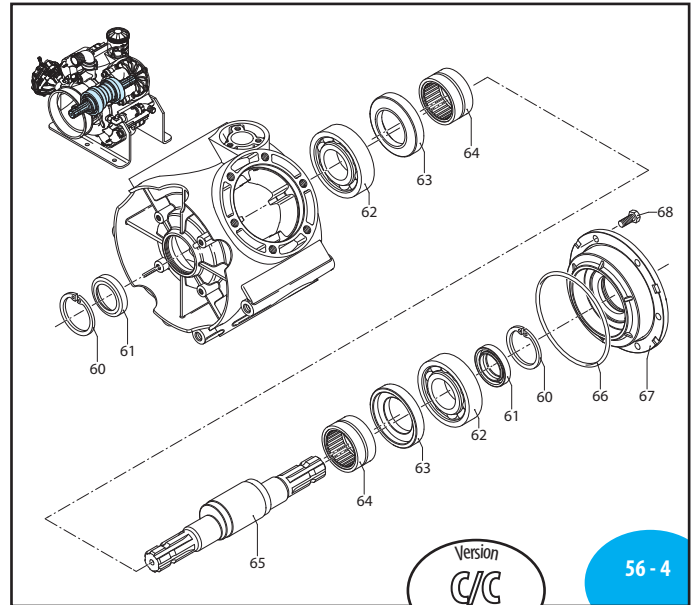
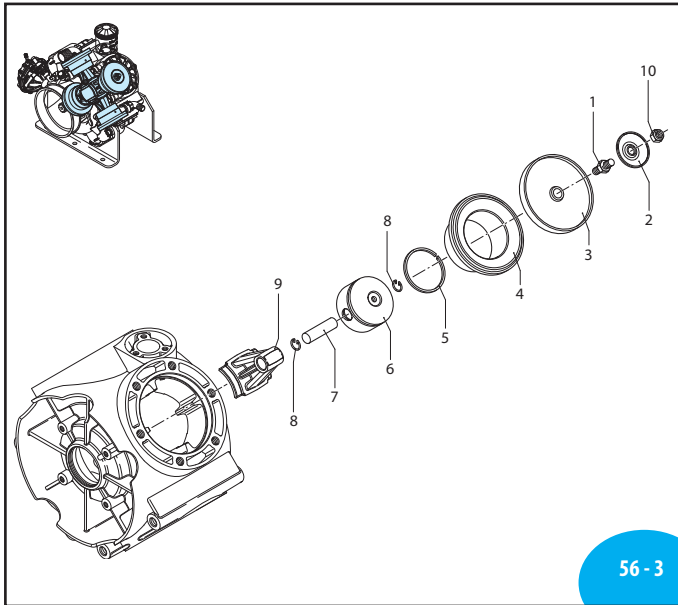
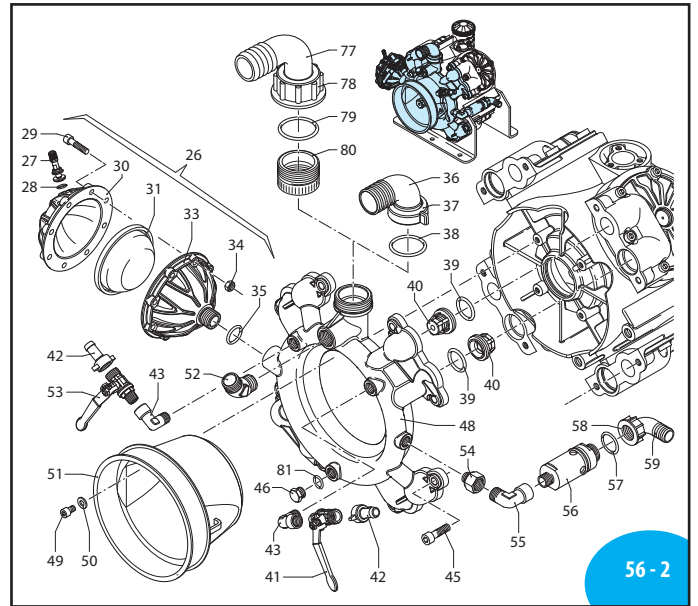
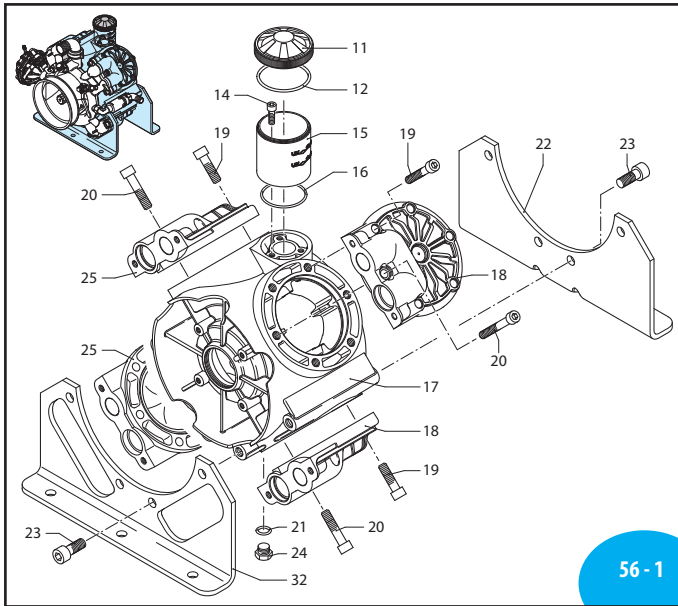


A.R. NORTH AMERICA BHS 170 - BHS 200



BHS 170 - BHS 200

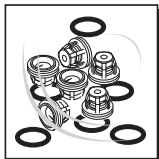
Pos	Code	Discription	Qty	Note
1	2240100	Hub pin	4	C ₃₀
2	580090	Wobble plate	4	
3	2240080	Diaphragm	4	NBR
	2240085	Diaphragm	4	Desmopan
4	2240560	Sleeve	4	BHS 170
	2240520	Sleeve	4	BHS 200
5	2240570	Piston ring	4	BHS 170
	2240360	Piston ring	4	BHS 200
6	2240550	Piston Ø 76	4	BHS 170
	2240350	Piston Ø 82	4	BHS 200
7	2240580	Pin	4	BHS 170
	540070	Pin	4	BHS 200
8	160691	Ring circlip Øi 18	8	
9	2380050	Connecting-rod	4	
10	2240110	Nut M10	4	SS C ₃₀
11	1800060	Plug black	1	BHS 170
	750050	Plug red	1	BHS 200
12	1040060	O-ring Ø 72.69x2.62	1	
14	540290	Screw TCEI M8x25	3	C ₁₀
15	2240070	Tank	1	
16	2240270	O-ring Ø 67.95x2.62	1	
17	2380011	Pump body	1	
18	2240030	Head marked DX	2	
19	2240180	Screw TE M12x50	20	C ₅₀
20	2240220	Screw TE M12x65	4	C ₅₀
21	180101	O-ring Ø 17.5x2	1	
22	2380040	Foot	1	
23	2380060	Screw TCEI M14x35	8	C ₅₀
24	820361	Plug 1/2" G brass	1	C ₂₀
25	2240031	Head marked SX	2	
26	1529	Air chamber	1	
27	180020	Air valve	1	C ₄
28	650542	Gasket	1	
29	680350	Screw TCEI M8x35	8	C ₂₀
30	2240300	Semi air chamber upper	1	
31	550190	Semi air chamber	1	NBR
32	2380030	Foot	1	
33	2240310	Semi air chamber lower	1	
34	380240	Nut M8	8	C ₂₀
35	720030	O-ring Ø 22.22x2.62	1	
36	2240211	Elbow Ø 40	1	
37	2240200	Ring nut 1" 3/4 G	1	
38	390210	O-ring Ø 39.69x3.53	1	
39	680070	O-ring Ø 31.5x4.25	8	
40	759051	Valve	8	
41	130491	Cock 3/8" G - 1/2" G M-M DX	1	C ₂₀
42	110130	Ring nut 1/2"	2	
43	2240260	Fitting 3/8" G M-F	2	C ₂₀
45	650330	Screw TCEI M10x35	8	C ₄₀
46	880530	Plug 3/8" G	1	C ₂₀

Pos	Code	Discription	Qty	Note
48	2380020	Line asp./manifold	1	
49	850250	Screw TCEI M8x12	4	C ₁₀
50	390311	Washer	4	
51	1500470	Cardan protection	1	
52	851650	Elbow manifold	1	
53	130492	Cock 3/8" G - 1/2" G M-M SX	1	C ₂₀
54	881461	Threaded adapter 3/8" G - 1/2" G	1	
55	881560	Fitting 1/2" G M-F	1	
56	1609002	Safety valve	1	
57	880831	O-ring Ø 15.54x2.62	1	Viton
58	550450	Ring nut 3/4" G	1	
59	550460	Elbow Ø 18	1	
60	2240160	Ring circlip Øi 62	2	
61	2240150	Ring seal	2	
62	2240430	Bearing	2	
63	2240121	Ring connecting rod	2	
64	850320	Bearing	2	
65	2240173	Shaft C/C m-BE	1	
66	2240290	O-ring Ø 152.7x2.62	1	
67	2240020	Flange	1	
68	160670	Screw TE M10x25	6	C ₄₀
71	2240390	Ring connecting rod	1	
72	2240400	Plate	1	
73	2240380	Bearing	1	
74	1800090	Ring seal	1	
75	620330	Ring circlip Øi 65	1	
76	2240610	Flange	1	Ø 32
	2240370	Flange	1	Ø 1" 3/8
77	760020	Elbow Ø 50	1	Optional
78	760040	Ring nut 2" G	1	Optional
79	620210	O-ring Ø 40.95x2.62	1	Optional
80	2380080	Fitting 2" G - 1" 3/4 G M-F	1	Optional
81	740291	O-ring Ø 14x1.78	1	Viton

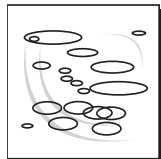
High pressure brass



KIT 2456	
Buna diaphragms	
KIT 43323	
BlueFlex™ diaphragms	
KIT 42656	
Desmopan diaphragms	
Pos.	Qty
3	4



KIT 2374	
Valves	
Pos.	Qty
39	8
40	8



KIT 2457	
O-Rings	
Pos.	Qty
12	1
16	1
21	1
35	1
38	1
39	8
57	1
66	1



Suggested oil	
Type	Kg
AR64516	3.2