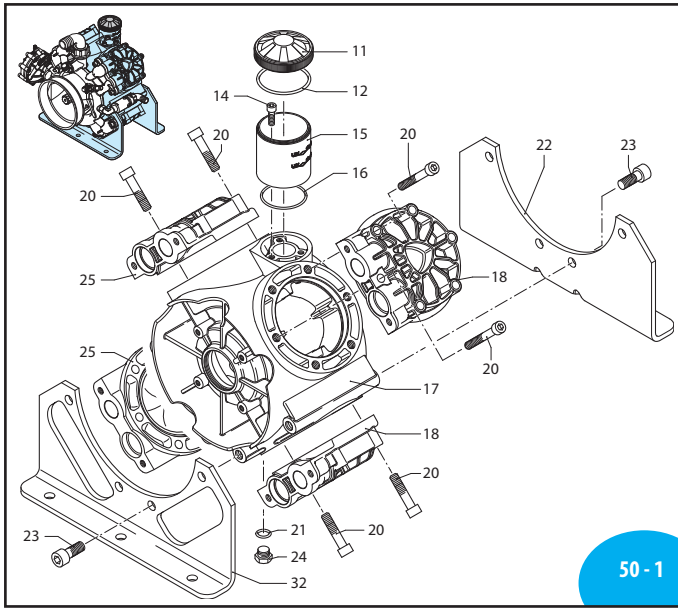
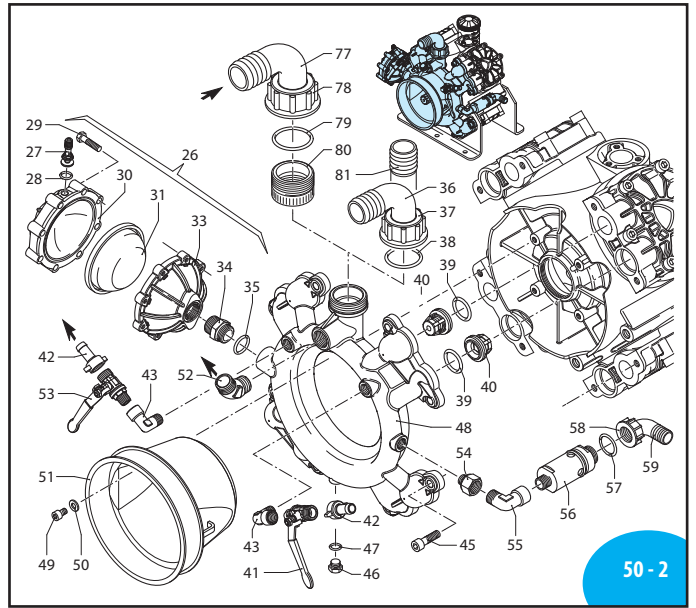


# A.R. NORTH AMERICA

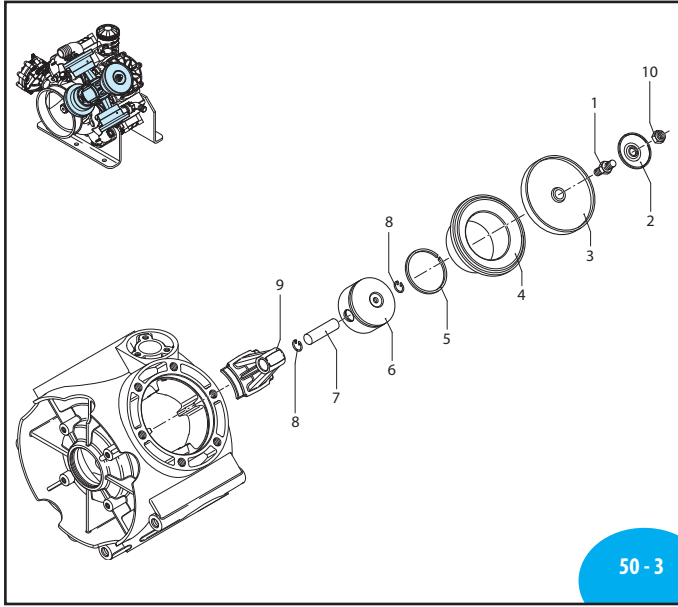
## BHP 170 - BHP 200



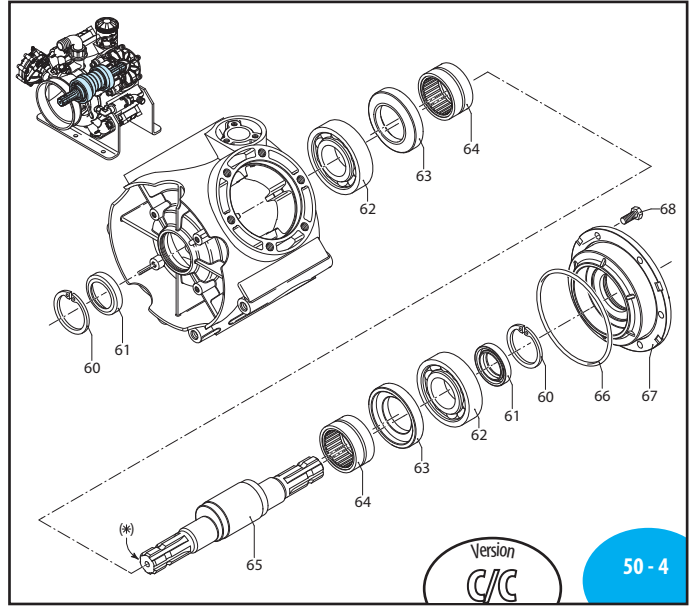
50 - 1



50 - 2



50 - 3



50 - 4

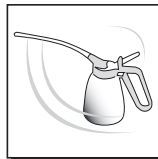
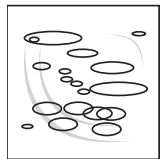


# BHP 170 - BHP 200

Pos	Code	Discription	Qty	Note
1	2240100	Hub pin	4	C <sub>30</sub>
2	580090	Wobble plate	4	
3	2240080	Diaphragm	4	NBR
	2240085	Diaphragm	4	Desmopan
4	2240560	Sleeve	4	BHP 170
	2240520	Sleeve	4	BHP 200
5	2240570	Piston ring	4	BHP 170
	2240360	Piston ring	4	BHP 200
6	2240550	Piston Ø 76	4	BHP 170
	2240350	Piston Ø 82	4	BHP 200
7	2240580	Pin	4	BHP 170
	540070	Pin	4	BHP 200
8	160691	Ring circlip Øi 18	8	
9	2380050	Connecting-rod	4	
10	2240110	Nut M10	4	SS C <sub>30</sub>
11	1800060	Plug black	1	BHP 170
	750050	Plug red	1	BHP 200
12	1040060	O-ring Ø 72.69x2.62	1	
14	540290	Screw TCEI M8x25	3	C <sub>10</sub>
15	2240070	Tank	1	
16	2240270	O-ring Ø 67.95x2.62	1	
17	2380011	Pump body	1	
18	2240454	Head marked DX	2	Plastisized green
20	2240470	Screw TCEI M12x70	24	C <sub>50</sub>
21	180101	O-ring Ø 17.5x2	1	
22	2380040	Foot	1	
23	2380060	Screw TCEI M14x35	8	C <sub>50</sub>
24	820361	Plug 1/2" G brass	1	C <sub>20</sub>
25	2240455	Head marked SX	2	Plastisized green
26	1517	Air chamber	1	
27	180020	Air valve	1	C <sub>4</sub>
28	650542	Gasket	1	
29	380410	Screw TCEI M8x40	8	C <sub>20</sub>
30	620231	Semi air chamber upper	1	Green
31	550190	Semi air chamber	1	NBR
32	2380030	Foot	1	
33	2240482	Halfball lower	1	Green
34	2240490	Fitting	1	
35	720030	O-ring Ø 22.22x2.62	1	
36	540550	Elbow Ø 40	1	
37	540540	Ring nut 1" 3/4 G	1	
38	250310	O-ring Ø 36.14x2.62	1	
39	680070	O-ring Ø 31.5x4.25	8	
40	759051	Valve	8	
41	130491	Cock 3/8" G - 1/2" G M-M DX	1	
42	110130	Ring nut 1/2"	2	
43	900210	Fitting 3/8" G M-F	2	
45	650330	Screw TCEI M10x35	8	C <sub>40</sub>
46	880581	Plug 1/4" G	1	C <sub>20</sub>
47	820510	O-ring Ø 10.82x1.78	1	

Pos	Code	Discription	Qty	Note
48	2380072	Line asp./manifold	1	
49	850250	Screw TCEI M8x12	4	C <sub>10</sub>
50	390311	Washer	4	
51	1500470	Cardan protection	1	
52	851650	Elbow manifold	1	
53	130492	Cock 3/8" G - 1/2" G M-M SX	1	
54	881461	Threaded adapter 3/8" G - 1/2" G	1	
55	881560	Fitting 1/2" G M-F	1	
56	1609002	Safety valve	1	
57	880831	O-ring Ø 15.54x2.62	1	Viton
58	550450	Ring nut 3/4" G	1	
59	550460	Elbow Ø 18	1	
60	2240160	Ring circlip Øi 62	2	
61	2240150	Ring seal	2	
62	2240430	Bearing	2	
63	2240121	Ring connecting rod	2	
64	850320	Bearing	2	
65	2240173	Shaft C/C m-BE	1	
66	2240290	O-ring Ø 152.7x2.62	1	
67	2240020	Flange	1	
68	160670	Screw TE M10x25	6	C <sub>40</sub>
71	2240390	Ring connecting rod	1	
72	2240400	Plate	1	
73	2240380	Bearing	1	
74	1800090	Ring seal	1	
75	620330	Ring circlip Øi 65	1	
76	2240610	Flange	1	
	2240370	Flange	1	
77	760020	Elbow Ø 50	1	Optional
78	760040	Ring nut 2" G	1	Optional
79	620210	O-ring Ø 40.95x2.62	1	Optional
80	2380080	Fitting 2" G - 1" 3/4 G M-F	1	Optional
81	392190	Hose tail Ø 40	1	Optional

High pressure



<b>KIT 43323</b> BlueFlex™ diaphragms	
<b>KIT 2456</b> Buna diaphragms	
<b>KIT 42656</b> Desmopan diaphragms	
Pos.	Qty
3	4

<b>KIT 2374</b> Valves	
Pos.	Qty
39	8
40	8

<b>KIT 2457</b> O-Rings	
Pos.	Qty
12	1
16	1
21	1
35	1
38	1
39	8
47	1
57	1
66	1

<b>Suggested oil</b>	
Type	Kg
AR64516	3.2