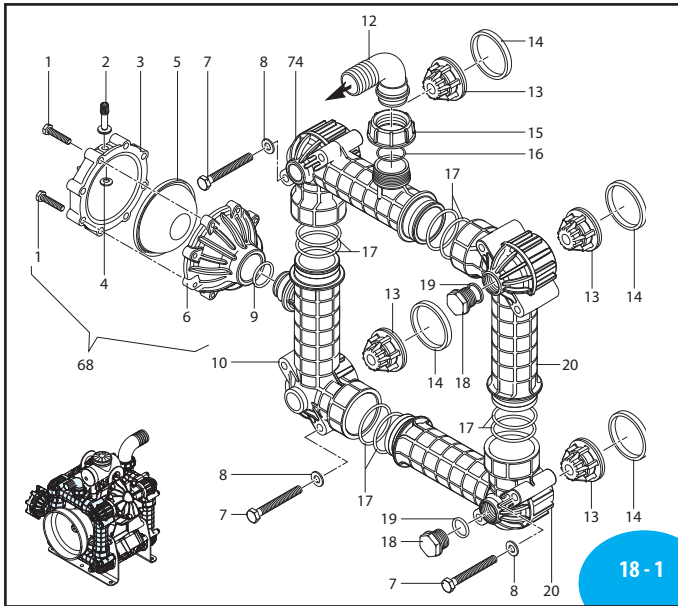
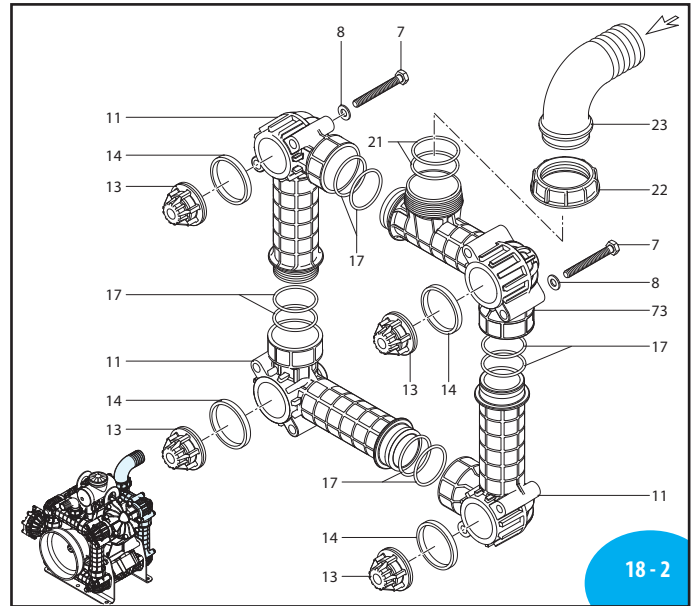


# A.R. NORTH AMERICA

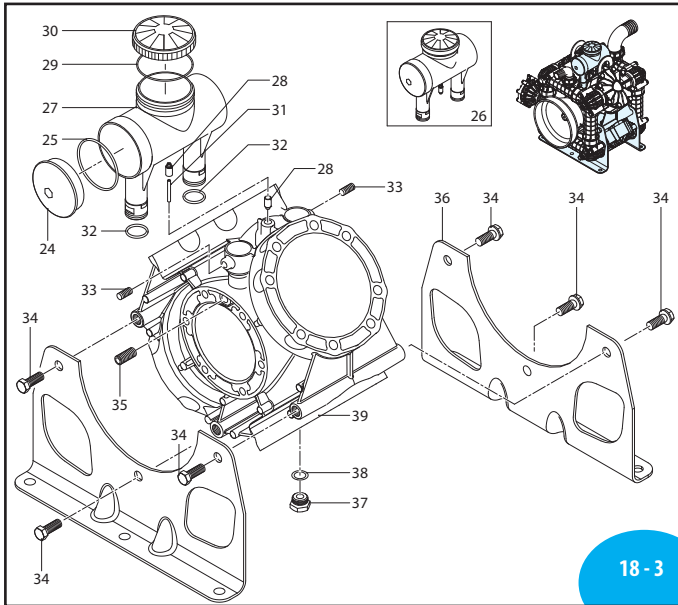
## AR 330 bp - AR 380 bp



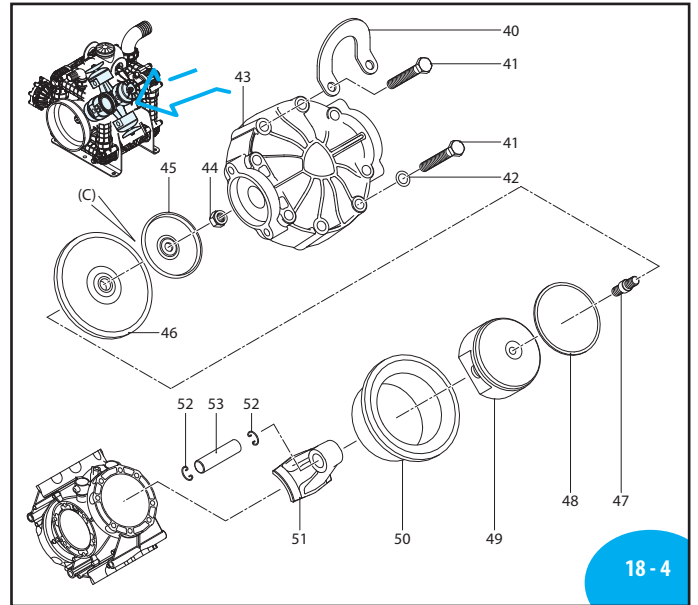
18 - 1



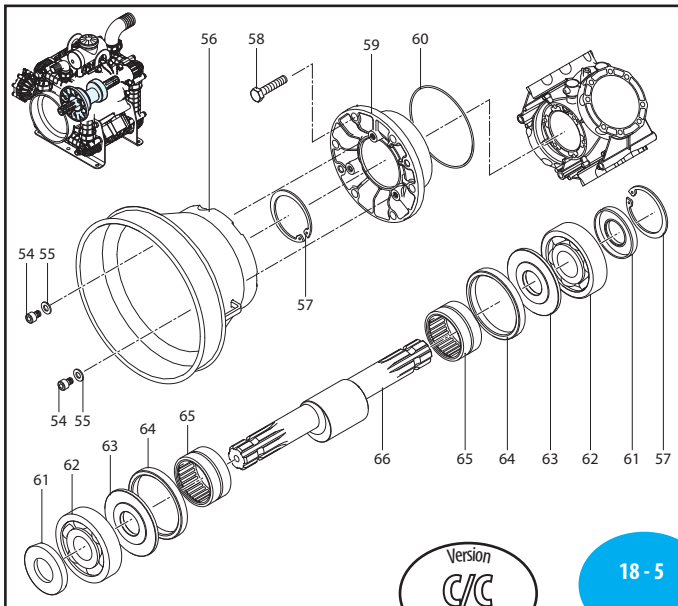
18 - 2



18 - 3



18 - 4



Version  
C/C

18 - 5



# AR 330 bp - AR 380 bp

Pos	Code	Discription	Q.ty	Note
1	621781	Screw TE M8x40	8	Geomet C <sub>20</sub>
2	180020	Air valve	1	C <sub>3</sub>
3	620232	Semi air chamber upper	1	Black
4	650542	Gasket	1	
5	550194	Diaphragm air chamber	1	Blueflex™
	550190	Diaphragm air chamber	1	NBR
6	3040310	Semi air chamber lower	1	Plasticised
7	3040280	Screw TE M10x85	16	Geomet C <sub>27</sub>
8	320621	Washer	16	Geomet
9	280220	O-ring Ø 29.75x3.53	1	
10	3280070	Line	1	
11	3280040	Line asp./manifold	3	
12	3040160	Elbow Ø 35	1	
13	3049050	Valve	8	
14	3040200	Gasket	8	
15	750670	Ring nut 1" 1/2 G	1	
16	390290	O-ring Ø 29x3	1	
17	100320	O-ring Ø 52.39x3.53	16	
18	3040370	Plug 3/4" G	2	C <sub>10</sub>
19	1540630	O-ring Ø 23.47x2.62	2	
20	3280041	Line threaded	2	
21	750740	O-ring Ø 56.74x3.53	2	
22	750710	Ring nut 2" 1/2 G	1	
23	750720	Elbow Ø 60	1	
24	3040260	Plug	1	
25	3040510	O-ring Ø 70x3	1	
26	3049001	Tank	1	
27	3040250	Tank	1	
28	3040490	Fitting	2	
29	1040060	O-ring Ø 72.69x2.62	1	
30	1800060	Plug black	1	AR330bp
	750050	Plug red	1	AR380bp
31	3040500	Pipe 34 mm 98 Sh	1	
32	3040590	O-ring Ø 22x3	2	
33	394171	Screw M8x16	2	Geomet C <sub>10</sub>
34	3040290	Screw TE M14x40	6	Geomet C <sub>50</sub>
35	3280090	Screw M10x14	2	Geomet C <sub>20</sub>
36	3280030	Foot	2	
37	820361	Plug 1/2" G brass	1	
38	180101	O-ring Ø 17.5x2	1	
39	3280010	Pump body	1	
40	3280080	Support	2	
41	3040300	Screw TE M12x85	32	Geomet C <sub>50</sub>
42	390090	Washer	28	Geomet
43	3040030	Head plasticised	4	
44	750980	Nut M12	4	SS C <sub>30</sub>
45	3040120	Plate	4	

Pos	Code	Discription	Q.ty	Note
46	3040083	Diaphragm	4	BlueFlex
	3040080	Diaphragm	4	NBR
47	3040130	Hub pin	4	C <sub>50</sub> (a)
48	3040110	Piston ring	4	
49	3040100	Piston Ø 100	4	
50	3280110	Sleeve stroke 19 Ø100	4	AR330bp
	3280160	Sleeve stroke 22 Ø110	4	AR380bp
51	3280020	Connecting-rod	4	
52	160691	Ring circlip Øi 18	8	
53	540070	Pin	4	
54	850251	Screw TCEI M8x12	3	Geomet C <sub>10</sub>
55	390314	Washer	3	Geomet
56	1500470	Cardan protection	1	
57	161050	Ring circlip Øi 72	2	sp.2.5
58	450261	Screw TE M6x35	6	Geomet C <sub>20</sub>
59	3040021	Flange	1	
60	1800160	O-ring Ø 113.97x2.62	1	
61	2680120	Ring seal	2	
62	160751	Bearing	2	
	540040	Plate	2	AR330bp
63	3280190	Plate	2	AR380bp
	850130	Ring connecting rod	2	
65	850320	Bearing	2	
66	3280100	Shaft marked DR	1	AR330bp C/C
	3280150	Shaft marked ER	1	AR380bp C/C
68	43066	Air chamber	1	Blueflex™
	1508	Air chamber	1	NBR
69	3040360	Plate	1	AR330bp
	3280190	Plate	1	AR380bp
70	2240390	Ring connecting rod	1	
71	3040321	Flange	1	
72	2680130	Ring seal	1	
73	3280050	Line suction	1	
74	3280060	Line manifold	1	

(a) Screw Shank piston side with Loxeal 83-21 Strong threadlock (Green) and lubricate the shank side plate with Molykote grease 1000.

(c) Attention! Assemble with grease PG54 between the plate and the membrane.

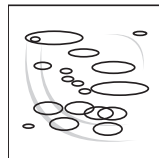
@ Pump and manufacturer identification.



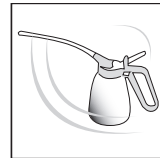
KIT 43274	
BlueFlex™ diaphragms	
KIT 42587	
Buna diaphragms	
Pos.	Qty
46	4



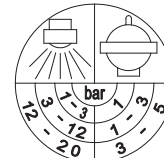
KIT 42980	
Valves	
Pos.	Qty
13	8
14	8



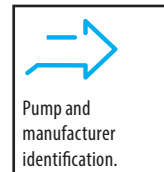
KIT 42591			
O-Rings			
Pos.	Qty	Pos.	Qty
9	1	60	1
16	1		
17	16		
19	2		
21	2		
25	1		
29	1		
32	2		
38	1		



Suggested oil	
Type	Kg
AR64516	4



2154700 Air chamber decal



Pump and manufacturer identification.