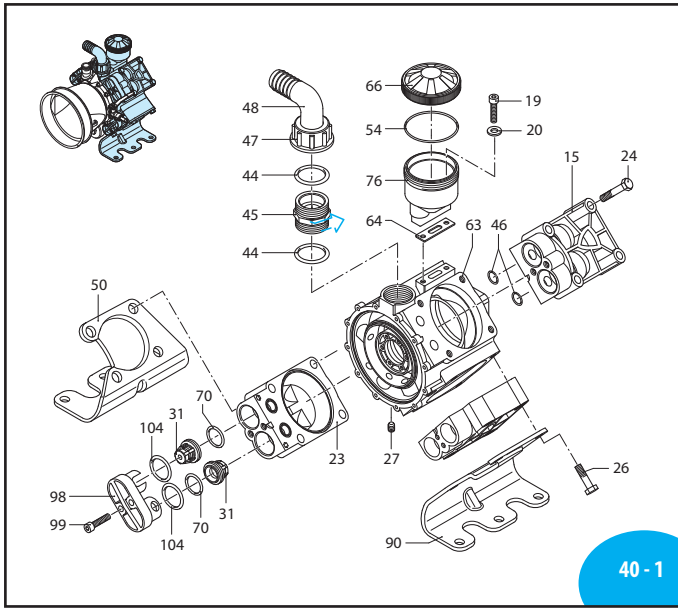
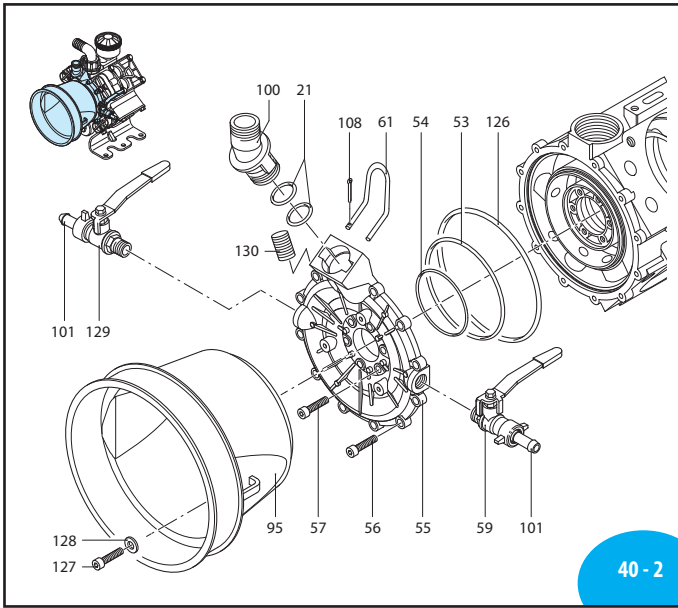


# A.R. NORTH AMERICA

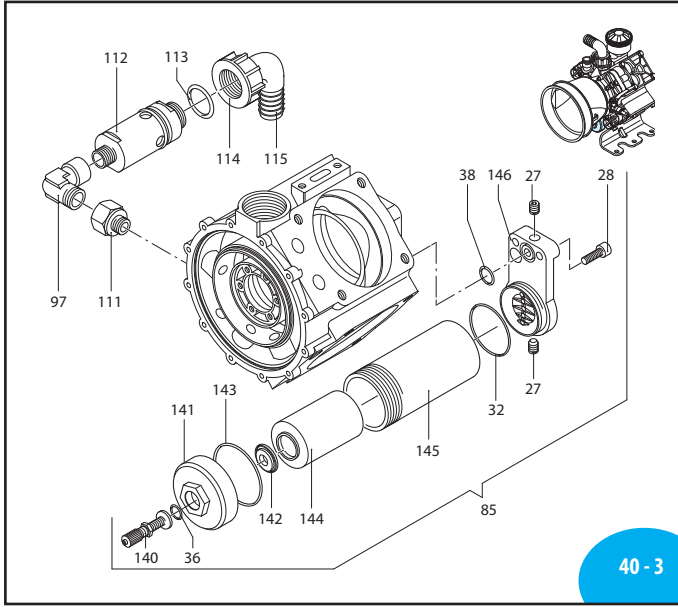
## AR 1064



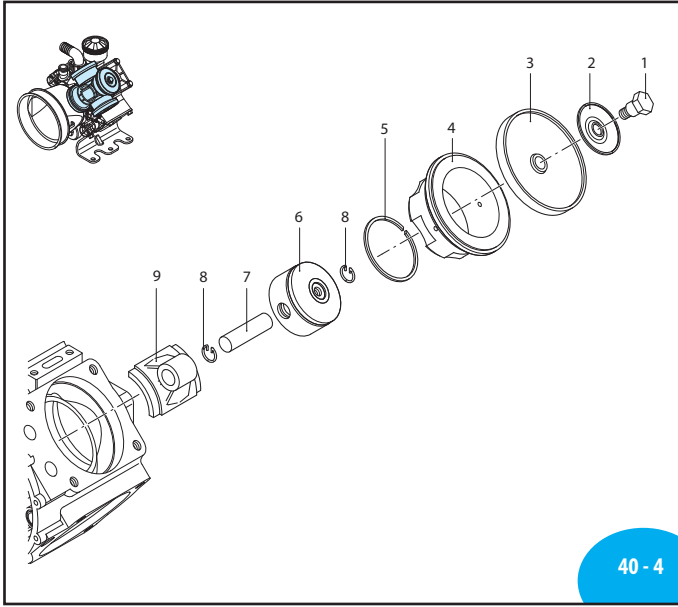
40 - 1



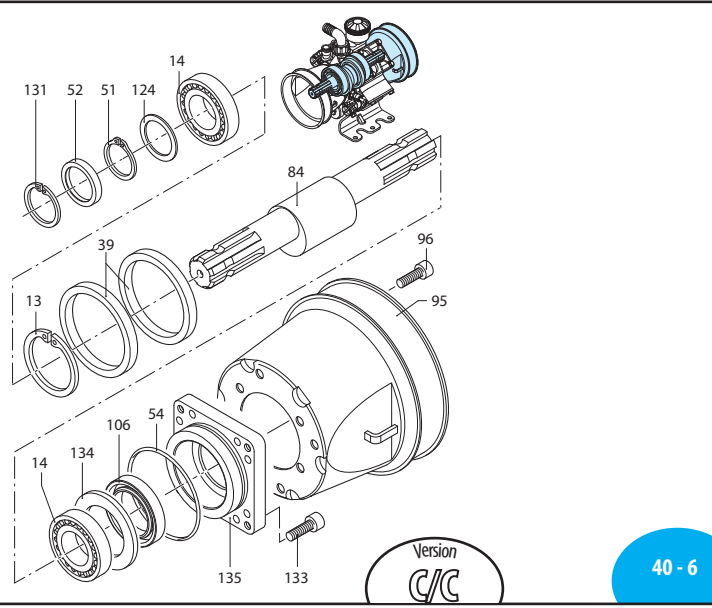
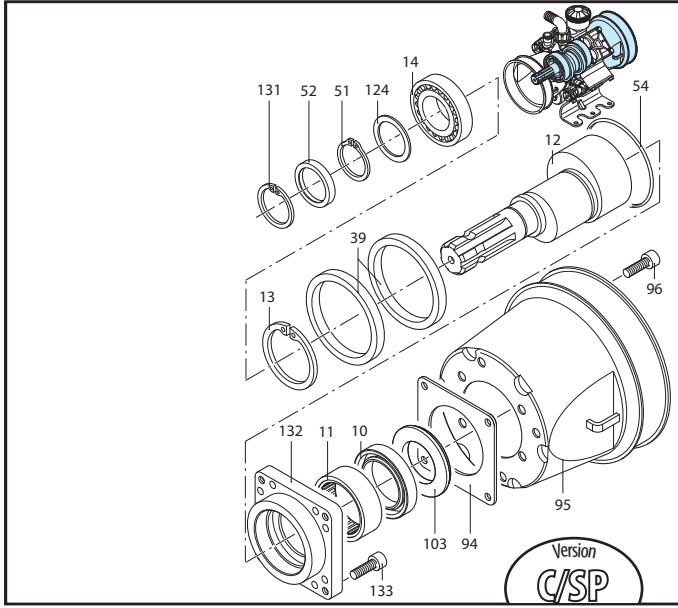
40 - 2



40 - 3



40 - 4



40 - 6

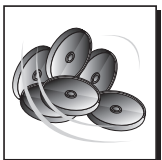
# AR 1064

Pos	Code	Description	Qty	Note
1	580361	Hub pin	4	C <sub>30</sub>
2	1040180	Plate	4	
3	1040081	Diaphragm	4	NBR
	1040080	Diaphragm	4	Desmopan
4	1500080	Sleeve	4	
5	650190	Piston ring	4	
6	1040120	Piston Ø 63	4	
7	1040070	Pin	4	
8	1040270	Ring circlip Øi 15	8	
9	1800050	Connecting-rod	4	
10	1400150	Ring seal	1	
11	650200	Bearing	1	
12	1800200	Shaft C/SP m-34	1	
13	161050	Ring circlip Øi 72	1	
14	1800170	Bearing	2	
15	1040551	Head marked DX	2	
19	680350	Screw TCEI M8x35	2	C <sub>10</sub>
20	380241	Washer	2	
21	390180	O-ring Ø 18.72x2.62	2	
23	1040552	Head marked SX	2	
24	1480040	Screw TE M12x60	8	C <sub>50</sub>
26	750060	Screw TE M12x65	8	C <sub>50</sub>
27	1040470	Screw M10x8	3	SS C <sub>20</sub>
28	320360	Screw TCEI M8x22	2	C <sub>20</sub>
31	1409050	Valve	8	
32	540360	O-ring Ø 44.12x2.62	1	
36	650542	Gasket	1	
38	640070	O-ring Ø 13.95x2.62	1	
39	1040340	Ring connecting rod	2	
44	250310	O-ring Ø 36.14x2.62	2	
45	540530	Fitting 1"1/4 G - 1"3/4 G M-M	1	
46	960160	O-ring Ø 17.86x2.62	8	(a)
	770571	O-ring Ø 18.77x1.78	8	(b) Viton
47	540540	Ring nut 1" 3/4 G	1	
48	540550	Elbow Ø 40	1	
50	1820080	Foot	1	See ●
51	1040570	Ring circlip Øe 35	1	
52	1040050	Ring seal	1	
53	1800161	O-ring Ø 113.97x2.62	1	Viton
54	1040060	O-ring Ø 72.69x2.62	3	
55	1800150	Line asp./manifold	1	
56	1040370	Screw TCEI M6x22	12	C <sub>10</sub>
57	780060	Screw TCEI M6x25	6	C <sub>10</sub>
59	130491	Cock 3/8" G - 1/2" G M-M DX	1	C <sub>20</sub>
61	1040690	Fork	1	
63	1820040	Pump body	1	
64	750040	Gasket	1	
66	1800060	Plug black	1	
70	620030	O-ring Ø 25.80x3.53	8	

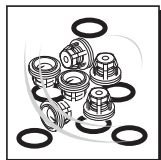
Pos	Code	Description	Qty	Note
76	750030	Tank	1	
84	1800180	Shaft C/C m-W	1	
85	1538	Air chamber	1	
90	1820070	Foot	1	See ●
94	1400140	Flange	1	
95	1500350	Cardan protection	2	Ø 199 mm
	1500470	Cardan protection	2	Ø 239 mm
96	820670	Screw TCEI M10x16	4	C <sub>10</sub>
97	881560	Fitting 1/2" G M-F	1	
98	1300190	Plug	4	
99	620610	Screw TCEI M8x30	8	C <sub>20</sub>
100	1040760	Fitting 3/4" G M	1	
101	110131	Ring nut 1/2"	2	
103	1400110	Ring	1	
104	540361	O-ring Ø 33.14x2.62	8	
106	160740	Ring seal	1	
108	1040950	Split pin	1	
111	881461	Threaded adapter 3/8" G - 1/2" G	1	C <sub>20</sub>
112	1609002	Safety valve	1	C <sub>20</sub>
113	880831	O-ring Ø 15.54x2.62	1	Viton
114	550450	Ring nut 3/4" G	1	
115	550460	Elbow Ø 18	1	
124	1040850	Spacer	1	
126	1400120	O-ring Ø 145.72x2.62	1	
127	1343510	Screw TCEI M6x14	3	
128	881710	Washer	3	
129	130492	Cock 3/8" G - 1/2" G M-M SX	1	C <sub>20</sub>
130	1800240	Screw	1	C <sub>20</sub>
131	1460490	Ring circlip Øi 47	1	
132	1800210	Flange	1	
133	180030	Screw TCEI M8x20	8	C <sub>20</sub>
134	1800230	Spacer	1	
135	1800220	Flange	1	
137	230310	Bearing	1	
138	200150	Ring seal	1	
139	1800120	Flange	1	
140	1800350	Air valve	1	
141	1800270	Cover	1	C <sub>20</sub>
142	1800311	Plate	1	
143	650560	O-ring Ø 56.82x2.62	1	
144	1800300	Diaphragm air chamber	1	
145	1800280	Pipe	1	
146	1800320	Fitting	1	

● From serial number N° 000501  
(a) From serial number N° 1822013001  
(b) Up to serial number N° 1821913999

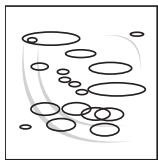
High pressure



KIT 1953	
Buna diaphragms	
KIT 43305	
BlueFlex™ diaphragms	
KIT 43203	
Desmopan diaphragms	
Pos.	Qty
3	4



KIT 1964	
Valves	
Pos.	Qty
31	8
70	8



KIT 43022 (a) / KIT 2378 (b)			
O-Rings			
Pos.	Qty	Pos.	Qty
21	2	126	1
32	1	143	1
38	1		
44	2		
46	8		
53	1		
54	3		
70	8		
104	8		
113	1		



Suggested oil	
Type	Kg
AR64516	0.8

