



# GE Series

## FEATURES

- Designed and engineered exclusively for pressure washers.
- Five year limited warranty.
- Forged brass manifold with an exclusive lifetime warranty.
- Large capacity, die-cast, anodized aluminum oil-bath crankcase.
- Aluminum two piece connecting rods with lubrication channels for maximum life.
- Heavy-duty crankshaft bearings.
- Solid ceramic plungers with mirror finish and corrosion resistance.
- Parker® "V" seals for premium performance.
- Stainless steel inlet and discharge valve assemblies.
- Forged valve caps with recessed O-rings.
- Dacromet® coated manifold bolts for extra corrosion resistance.
- Precision oil dipstick for proper ventilation of crankcase.
- Flanged for direct couple to electric motor (56C).



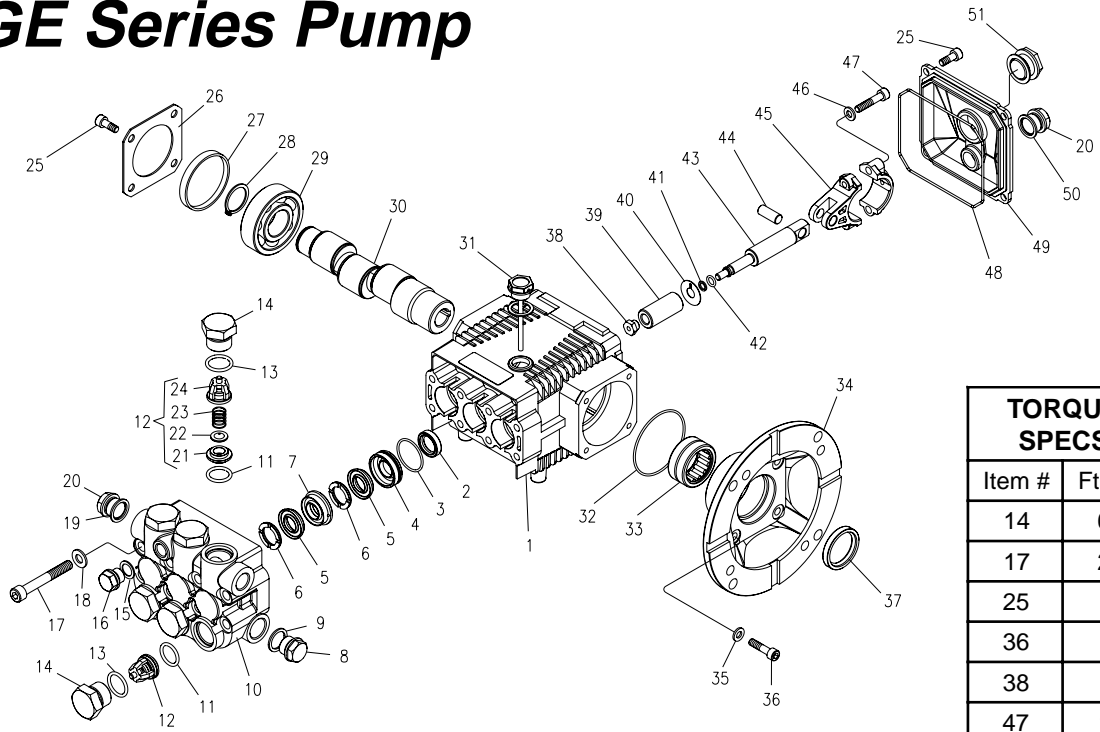
## SPECIFICATIONS

| PUMP MODEL                    | GE2020F             | GE2020S | GE2825F | GE2825S | GE3525F     |
|-------------------------------|---------------------|---------|---------|---------|-------------|
| Maximum Volume (GPM)          | 2                   | 2       | 2.8     | 2.8     | 3.5         |
| Max. Discharge Pressure (PSI) | 2000                | 2000    | 2500    | 2500    | 2500        |
| Maximum Pump Speed            | 3400                | 1725    | 3400    | 1725    | 3400        |
| Maximum Inlet Pressure        | 125 psi             |         |         |         |             |
| Maximum Inlet Vacuum          | Flooded             |         |         |         |             |
| Bore                          | 15 mm               | 18 mm   | 15 mm   | 18 mm   | 15 mm       |
| Stroke                        | 4.6 mm              | 5.6 mm  | 7.0 mm  | 8.4 mm  | 8.8 mm      |
| Crankcase Oil Capacity        | 14 oz.              |         |         |         |             |
| Maximum Fluid Temperature     | 165°F               |         |         |         |             |
| Inlet Port Thread             | 1/2-14 BSPP-F       |         |         |         |             |
| Discharge Port Thread         | 3/8-19 BSPP-F       |         |         |         |             |
| Shaft Diameter                | 5/8" Hollow         |         |         |         | 3/4" Hollow |
| Weight                        | 17 lbs.             |         |         |         |             |
| Dimensions (LxWxH)            | 8.5 x 7.5 x 6.5 in. |         |         |         |             |



# GE Series Pump

- 5-1901 GE 2020F
- 5-1902 GE 2020S
- 5-1903 GE 2825F
- 5-1904 GE 2825S
- 5-1905 GE 3525F



| TORQUE SPECS |         |
|--------------|---------|
| Item #       | Ft.-lbs |
| 14           | 65      |
| 17           | 22      |
| 25           | 8       |
| 36           | 8       |
| 38           | 9       |
| 47           | 13      |

## PARTS LIST

| ITEM | PART NO.      | DESCRIPTION           | QTY | ITEM | PART NO.  | DESCRIPTION          | QTY | ITEM | PART NO.   | DESCRIPTION                        | QTY |
|------|---------------|-----------------------|-----|------|-----------|----------------------|-----|------|------------|------------------------------------|-----|
| 1    | 70-020292     | Crankcase             | 1   | 16   | 70-160121 | Brass Plug G1/4      | 1   | 35   | 70-140002  | Washer                             | 4   |
| 2*   | 70-000105     | Plunger Oil Seal      | 3   | 17   | 70-180118 | Manifold Stud Bolt   | 8   | 36   | 70-180126  | Flange Screw                       | 4   |
| 3*   | 70-060181     | O-Ring Ø 1.78 x 28.30 | 3   | 18   | 70-140001 | Washer               | 8   | 37   | 70-000104  | Crankshaft Seal                    | 1   |
| 4*   | 70-120131     | Pressure Ring 15mm    | 3   | 19   | 70-060306 | Copper Washer 3/8    | 1   | 38*  | 70-030211  | Plunger Nut                        | 3   |
|      | 70-120132     | Pressure Ring 18mm    | 3   | 20   | 70-160117 | Brass Plug G3/8      | 2   | 39*  | 70-120023  | Plunger 15mm (2020F, 2825F, 3525F) | 3   |
| 5*   | 70-000207     | "V" Seal, dia 15mm    | 6   | 25   | 70-180112 | Screw                | 12  |      | 70-120022  | Plunger 18mm (2020S, 2825S)        | 3   |
|      | 70-000208     | "V" Seal, dia 18mm    | 6   | 26   | 70-020318 | Bearing Cover        | 2   | 40*  | 70-140027  | Copper Spacer                      | 3   |
| 6*   | 70-030048     | Support Ring 15mm     | 6   | 27   | 70-020502 | Bearing Seal         | 1   | 41*  | 70-160130  | O-Ring Ø1.78 x 5.28                | 3   |
|      | 70-030050     | Support Ring 18mm     | 6   | 28   | 70-150003 | Snap Ring            | 1   | 42*  | 70-000913  | Teflon Ring                        | 3   |
| 7*   | 70-030049     | Intermed Ring 15mm    | 3   | 29   | 70-021300 | Ball Bearing         | 2   | 43   | 70-000320  | Plunger Rod                        | 3   |
|      | 70-030051     | intermed Ring 18mm    | 3   | 30   | 70-000600 | Crankshaft (2020F)   | 1   | 44   | 70-1502.04 | Connecting Rod Pin                 | 3   |
| 8*   | 70-160120     | Brass Plug G1/2       | 1   |      | 70-000601 | Crankshaft (2020S)   | 1   | 45   | 70-010008  | Connecting Rod                     | 3   |
| 9    | 70-060307     | Copper Washer 1/2"    | 1   |      | 70-000602 | Crankshaft (2825F)   | 1   | 46   | 70-140102  | Spring Washer                      | 6   |
| 10   | 70-160228     | Manifold Housing      | 1   |      | 70-000603 | Crankshaft (2825S)   | 1   | 47   | 70-180132  | Connecting Rod Screw               | 6   |
| 11   | 70-060155     | O-Ring Ø1.78 x 15.54  | 6   |      | 70-000604 | Crankshaft (3525F)   | 1   | 48   | 70-060104  | O-Ring Ø2.62 x 107.62              | 1   |
| 12*  | See Kit Below | Valve Assembly        | 6   | 31   | 70-160012 | Oil Dipstick         | 1   | 49   | 70-020352  | Crankcase Cover                    | 1   |
| 13*  | 70-060122     | O-Ring Ø2.62 x 18.77  | 6   | 32   | 70-060183 | O-Ring Ø3.53 x 55.56 | 1   | 50   | 70-060302  | Gasket                             | 1   |
| 14   | 70-160147     | Valve Plug            | 6   | 33   | 70-020011 | Needle Bearing       | 1   | 51   | 70-070005  | Sight Glass                        | 1   |
| 15   | 70-060308     | Copper Washer 1/4     | 1   | 34   | 70-050095 | Motor Flange 56C     | 1   |      |            |                                    |     |

## REPAIR KITS

| REPAIR KIT NUMBER                    | 70-261408   | 70-261410                                 | 70-261409  | 70-261411   | 70-261404  | 70-261405                            | 70-260028      | 70-260826         |
|--------------------------------------|---|---|--|---|--|--------------------------------------|----------------|-------------------|
| KIT DESCRIPTION                      | Plunger Seal 15mm<br>GE 2020F<br>GE 2825F<br>GE 3525F | Plunger Seal 18mm<br>GE 2020S<br>GE 2825S | Complete Seal Packing 15mm<br>GE 2020F<br>GE 2825F<br>GE 3525F | Complete Seal Packing 18 mm<br>GE 2020S<br>GE 2825S | Plunger 15mm<br>GE 2020F<br>GE 2825F<br>GE 3525F | Plunger 18mm<br>GE 2020S<br>GE 2825S | Complete Valve | Plunger Oil Seals |
| ITEM NUMBERS INCLUDED                | 3, 5, 6   | 3, 5, 6                                   | 2, 3, 4, 5, 6, 7   | 3, 4, 5, 6, 7, 8                                    | 38, 39, 40, 41, 42                               | 38, 39, 40, 41, 42                   | 11, 12, 13     | 2                 |
| NUMBER OF CYLINDERS KIT WILL SERVICE | 3   | 3   | 1  | 1   | 1  | 1                                    | 6              | 3                 |