



GM Series

FEATURES

- Designed and engineered for pressure washers.
- Five year limited warranty.
- Forged brass manifold with an exclusive lifetime warranty.
- Large capacity, die-cast, anodized aluminum oil-bath crankcase.
- Over-sized connecting rods and crankshaft for maximum life.
- Heavy-duty tapered roller bearings.
- Solid ceramic plungers with mirror finish and corrosion resistance.
- Stainless steel inlet and discharge valve assemblies.
- Forged valve caps with recessed O-rings to withstand high pressures.
- Dacromet® coated manifold bolts for superior corrosion resistance.



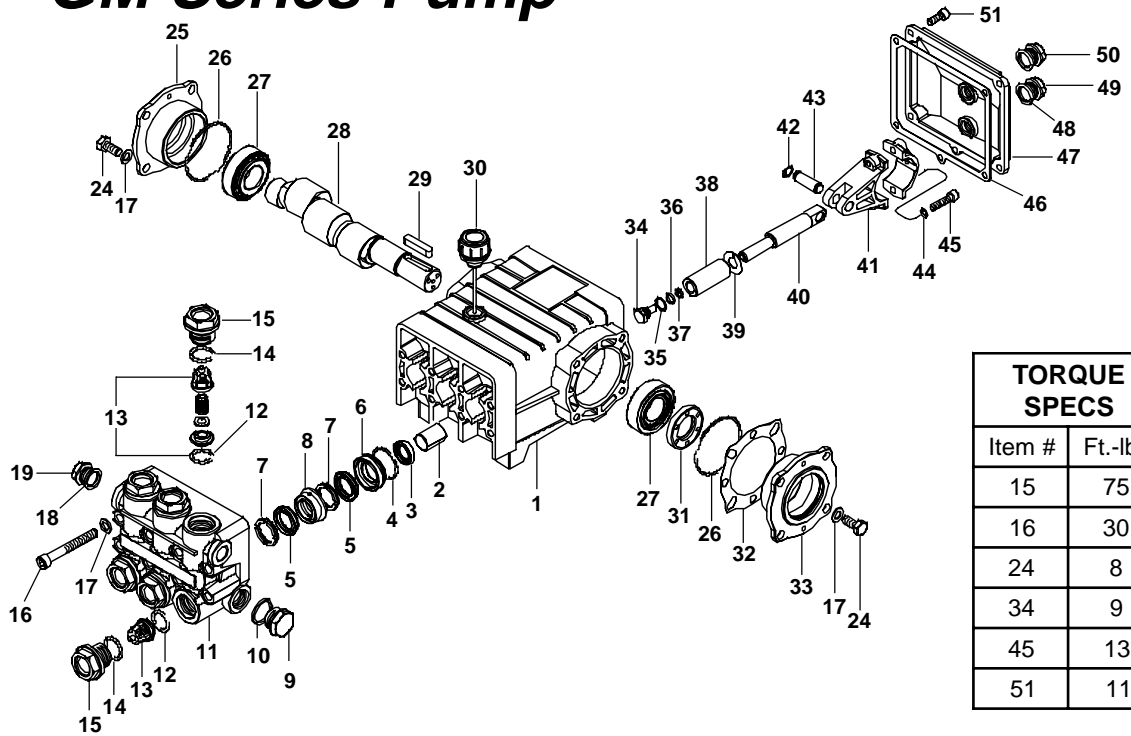
SPECIFICATIONS

PUMP MODEL	GM-4030	GM-4035	GM-5030	GM-4035H	GM-3540
Maximum Volume (GPM)	4	4.8	5.1	4.8	3.5
Max. Discharge Pressure (PSI)	3000	3500	3000	3500	4000
Maximum Pump Speed	1000	1500	1550	1500	1850
Maximum Inlet Pressure	125 PSI				
Maximum Inlet Vacuum	9 ft. water (7.9 in. HG)				
Bore	20 mm	18 mm	20 mm	18 mm	15 mm
Stroke	17mm	17 mm	14.3 mm	17 mm	14.3 mm
Crankcase Oil Capacity	23.3 oz.				
Maximum Fluid Temperature	165° F			185° F	165° F
Inlet Port Thread	1/2-14 BSPP-F				
Discharge Port Thread	3/8-19 BSPP-F				
Shaft Diameter	24 mm				
Weight	22 lbs				
Dimensions (LxWxH)	11 x 8.8 x 5.4 in.				



GM Series Pump

- 5-1912 GM 3540
- 5-1910 GM 4030
- 5-1911 GM 4030L
- 5-1920 GM 4035
- 5-1921 GM 4035L
- 5-1922 GM 4035HR
- 5-1915 GM 5030
- 5-1914 GM 5030L



TORQUE SPECS	
Item #	Ft.-lbs
15	75
16	30
24	8
34	9
45	13
51	11

PARTS LIST

ITEM	PART NO.	DESCRIPTION	QTY	ITEM	PART NO.	DESCRIPTION	QTY	ITEM	PART NO.	DESCRIPTION	QTY
1	70-020209	Crankcase	1	12*	70-060119	O-Ring Ø2.62 x 17.13	6	35*	70-140012	Copper Spacer	3
2	70-060201	Plunger Guide	3	13*	Kit 70-07	Valve Assembly	6	36*	70-060103	O-Ring Ø1.78 x 7.66	3
3*	Kit 70-08	Plunger Oil Seal	3	14*	70-060165	O-Ring Ø2.62 x 20.29	6	37*	70-000904	Teflon Ring	3
4*	70-060107	O-Ring Ø1.78 x 31.47	3	15	70-160130	Valve Plug	6	38*	Kit 70-05	Plunger (4035, 4035H)	3
5*	Kits 70-01,03	"V" Seal (4035)	6	16	70-180103	Manifold Stud Bolt	8	Kit 70-06	Plunger (4030, 5030)	3	
	Kits 70-02,04	"V" Seal (4030, 5030)	6	17	70-140001	Washer	16	39*	70-140015	Copper Spacer	3
6*	70-120106	Pressure Ring 18mm (4035)	3	18	70-060306	Copper Washer 3/8	1	40	70-000301	Plunger Rod	3
	70-120105	Pressure Ring 20mm (4030, 5030)	3	19	70-160117	Brass Plug 3/8	1	41	70-010001	Connecting Rod	3
7*	70-030007	Support Ring 18mm (4035)	6	24	70-180203	Hexagonal Screw	8	42	70-150001	Snap Ring	6
	70-030009	Support Ring 20mm (4030, 5030)	6	25	70-050051	Closed Bearing Housing	1	43	70-150201	Connecting Rod Pin	3
8*	70-030011	Intermed. Ring 18mm (4035)	3	26	70-060163	O-Ring Ø1.78 x 60.05	2	44	70-140102	Spring Washer	6
	70-030010	Intermed. Ring 20mm (4030, 5030)	3	27	70-020003	Tapered Roller Bearing	2	45	70-180105	Connecting Rod Screw	6
9	70-160120	Brass Plug 1/2"	1	28	70-000485	Crankshaft (5030)	1	46	70-060009	Cover Gasket	1
10	70-060307	Copper Washer 1/2"	1		70-000486	Crankshaft (4030,4035/H)	1	47	70-020350	Crankcase Cover	1
11	70-160216	Manifold Head	1	29	70-020604	Crankshaft Key	1	48	70-060302	Gasket, G3/8	1
				30	70-160006	Oil Dip Stick	1	49	70-160117	Brass Plug 3/8	1
				31	70-000102	Crankshaft Seal	1	50	70-070001	Sight Glass G3/8	1
				32	70-030102	Shim	2	51	70-180112	Cover Screw	5
				33	70-050050	Bearing Housing	1	52	70-000929	▲ Bach Ring 1/2" (4035H)3	
				34*	70-180001	Plunger Bolt	3				

* Available in kit (See below) ▲ Not Shown

REPAIR KITS

REPAIR KIT NUMBER	70-261216	70-260821	70-260824	70-261210	70-260810	70-260825	70-261217	70-260822	70-260823	70-260007	70-260027
KIT DESCRIPTION	*Plunger Seal GM-4035	Plunger Seal GM-4030 GM-5030	Plunger Seal GM 3540	**Complete Seal Packing GM-4035	Complete Seal Packing GM-4030 GM-5030	Complete Seal Packing GM 3540	Plunger GM-4035 GM-4035H	Plunger GM-4030 GM-5030	Plunger GM 3540	Complete Valve	Plunger Oil Seals
ITEM NUMBERS INCLUDED	4, 5, 7	4, 5, 7	4, 5, 7	3, 4, 5, 6, 7, 8	3, 4, 5, 6, 7, 8	3, 4, 5, 6, 7, 8	34, 35, 36, 37, 38, 39	34, 35, 36, 37, 38, 39	34, 35, 36, 37, 38, 39	12, 13, 14	3
NUMBER OF CYLINDERS KIT WILL SERVICE	3	3	3	1	1	1	1	1	1	6	3

* For GM 4035H High Heat Packings, Use 70-261212

**For GM 4035H High Heat Packings, Use 70-261213