

Plunger Pumps

FEATURING

MANIFOLD: High strength forged brass for long term use.

BOLTS: Three 8mm grade 8.8.

PISTONS: Ceramic coated stainless steel for longer pump life in harsh environments.

CRANKCASE: Precision die-cast, large cooling fins for maximum heat dissipation. Sight glass, fill and drain plugs

BEARINGS: Angular contact ball bearing stabilizes the crankshaft and one thrust needle bearing absorbs the plunger load and assure long radial plate life. All of the thrust plates are made of heat treated hardened steel for extended life.

VALVES, SEATS, AND SPRINGS: Stainless steel with specially designed Ultra Form cages provide extra long life and positive seating.

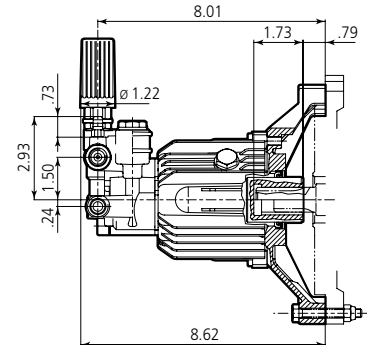
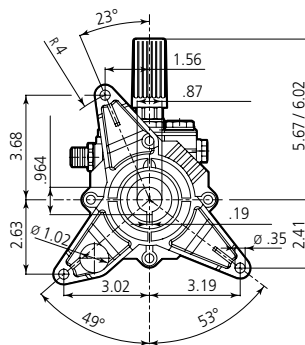
SEALS AND V-PACKINGS: Continuously lubricating for extended life.

UNLOADER: Built in to optimize performance while reducing setup time. Integral trap pressure, fixed or adjustable chemical injector.

DIMENSIONS



SJW D version + F27
Hollow shaft pump \varnothing 7/8"



SPECIFICATIONS

MODEL	MAX GPM	MAX LMP	MAX PSI	MAX BAR	POWER EBHP	BORE DIA MM	STROKE MM	CRANKSHAFT ID STAMP	WEIGHT LBS.
SJW2G25D-F27	2.0	7.6	2500	170	3.5	15	4.8		11
SJW2.5G25D-F27	2.5	9.5	2500	170	4.5	15	5.8		11
SJW3G25D-F27	3.0	11.4	2500	170	5.0	15	6.8		11

Oil Capacity = 4.5 oz

Maximum Fluid Temperature = 140° F

Inlet Thread = 1/2" M

Discharge Thread = 3/8" M

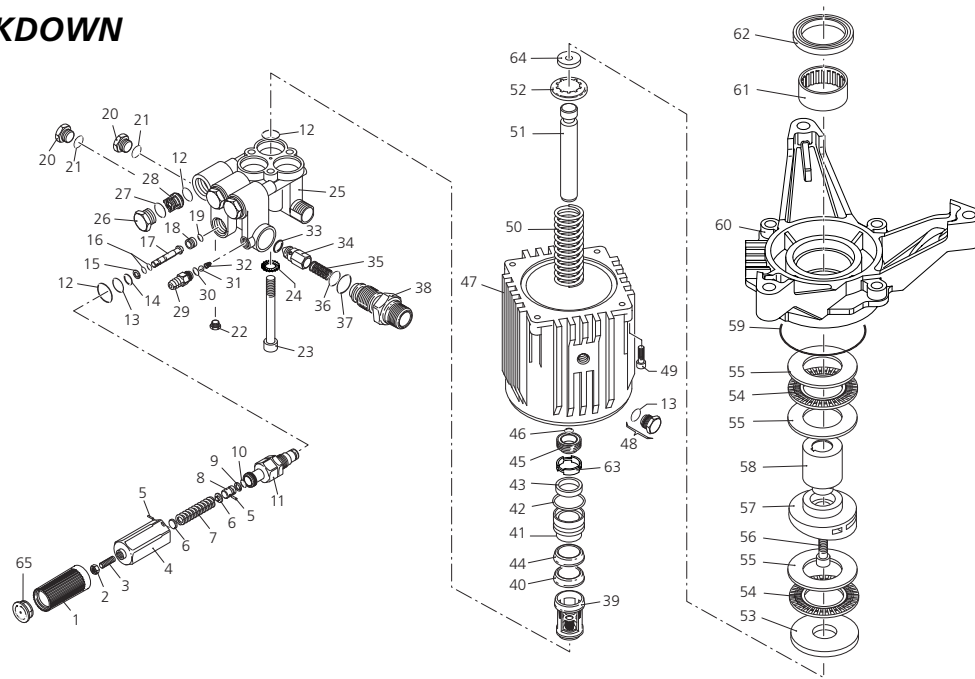
Torque Specifications Inch pounds (ft. lbs)

HEAD	PISTON NUT	REAR COVER	SIDE COVER	VALVE CAP	CON RODS
443 (37)	N/A	228 (19)	N/A	400 (37)	N/A

SPECIAL NOTE: Use only AR64545 for the XJ/SJ/BK Series pumps only: Do NOT change oil. Use oil only to add if low. This oil is a specially formulated synthetic with special additives for the demands of the XJ, SJ and BK pump series. No other oil is factory approved for these pumps, and could result in pump failure.



PARTS BREAKDOWN



Pos.	Code	Description	Qty.	Pos.	Code	Description	Qty.	Legend		
1	1981780	Knob	1	43	1260440	Gasket	3	For ○	For □	For ▼
2	1980300	Nut	1	44	1981580	Ring	3	SJW2G25D	SJW2.5G25D	SJW3G25D
3	1540560	Grub screw	1	45	1980410	Seal	3			
4	1980390	Handle insert	1	46	770090	O-Ring	1			
5	1080070	Pin	2	47	1980460	Housing	1			
6	1980220	Plate spring	2	48	1980290	Plug	1			
7	1271070	Spring	1	49	180030	Screw	4			
8	1080041	Upper piston	1	50	1981140	Spring	3			
9	1080401	Ring	1	51	1981120	Piston	3			
10	1080250	O-Ring	1	52	1980150	Ring	3			
11	1980210	Piston guide	1	53	1983100	Rail	1			
12	880830	O-Ring	7	54	1980250	Cage	1			
13	740290	O-Ring	2	55	1980240	Rail	1			
14	800560	O-Ring	1	56	850370	Screw	1			
15	1271170	Ring	1	57	1980080	Wobble plate	○ 1			
16	1080190	O-Ring	2		1980070	Wobble plate	□ 1			
17	1271160	Lower piston	1		1980060	Wobble plate	▼ 1			
18	1980200	Valve seat	1	58	1980440	Hollow Shaft	1			
19	1470210	O-Ring	1	59	1980340	O-Ring	1			
20	880581	Plug	2	60	1982200	Flange	1			
21	820510	O-Ring	2	61	1980230	Roller bearing	1			
22	620301	Plug	1	62	480671	Seal	1			
23	1980310	Screw	3	63	1980430	Spacer	3			
24	650530	Washer	3	64	1981130	Plate	3			
25	1982450	Pump head	1	65	1981770	Knob plug	1			
26	1260162	Plug	3							
27	960160	O-Ring	3							
28	1269050	Complete valve	3							
29	1982520	Hose tail	1							
30	480480	O-Ring	1							
31	1250280	Ball	1							
32	1560520	Spring	1							
33	1460430	O-Ring	1							
34	1540170	Jet	1							
35	1080091	Spring	1							
36	394280	O-Ring	1							
37	1200690	O-Ring	1							
38	1270141	Detergent injector	1							
39	1989050	Complete valve	3							
40	1342761	Gasket	3							
41	1981570	Piston guide	3							
42	770260	O-Ring	3							

Legend

For ○ SJW2G25D For □ SJW2.5G25D For ▼ SJW3G25D

Repair Kits

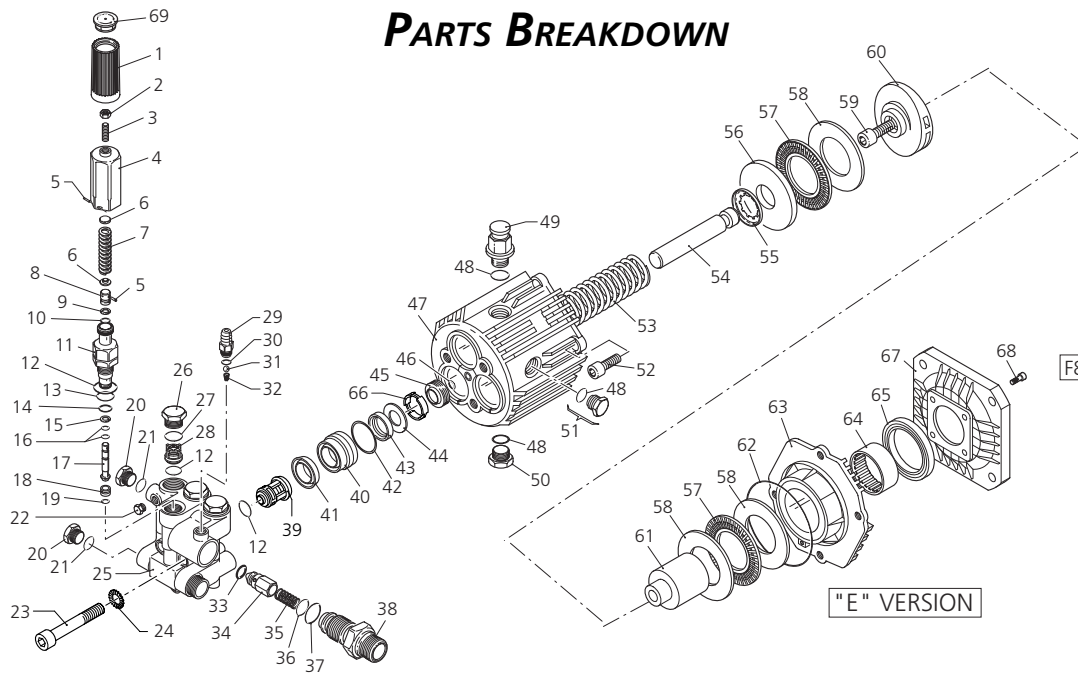
Water Seal Kit 2167		Valve Kit 2869		Pistons Kit 2513		Oil Seals Kit 2797	
Pos.	Qty.	Pos.	Qty.	Pos.	Qty.	Pos.	Qty.
40	3	12	6	51	3	45	3
42	3	28	3			46	1
43	3	39	3			62	1
44	3						

O-Rings Kit 2799

Pos.	Qty.	Pos.	Qty.
9	1	27	3
10	1	30	1
12	7	31	1
13	2	32	1
14	1	33	1
15	1	36	1
16	2	37	1
19	1	59	1
21	2		



PARTS BREAKDOWN



Pos.	Code	Description	Qty.	Pos.	Code	Description	Qty.	Legend			
1	1981780	Knob	1	43	1260440	Gasket	3	For ○	For □	For ▼	
2	1980300	Nut	1	44	1980170	Ring	3	XJV2G15E	XJV2.5G15E	XJV3G20E	
3	1540560	Grub screw	1	45	1980410	Seal	3				
4	1980390	Handle insert	1	46	770090	O-Ring	1				
5	1080070	Pin	2	47	1980010	Housing	1				
6	1980220	Plate spring	2	48	740290	O-Ring	3				
7	1271070	Spring	1	49	1980380	Plug	1				
8	1080041	Upper piston	1	50	1980740	Plug 3/8 G Brass	1				
9	1080401	Ring	1	51	1980290	Plug	1				
10	1080250	O-Ring	1	52	180030	Screw	4				
11	1980210	Piston guide	1	53	1981140	Spring	3				
12	880830	O-Ring	7	54	1980140	Piston	3				
13	740290	O-Ring	1	55	1980150	Ring	3				
14	800560	O-Ring	1	56	1980130	Rail	1				
15	1271170	Ring	1	57	1980250	Cage	1				
16	1080190	O-Ring	2	58	1980240	Rail	1				
17	1271160	Lower piston	1	59	850370	Screw	1				
18	1980200	Valve seat	1	○	1980080	Wobble plate	1				
19	1470210	O-Ring	1	□	1980070	Wobble plate	1				
20	880581	Plug	2	▼	1980060	Wobble plate	1				
21	820510	O-Ring	2	61	1980110	Hollow Shaft	1				
22	620301	Plug	1	62	1980340	O-Ring	1				
23	1980310	Screw	3	63	1980040	Flange	1				
24	650530	Washer	3	64	1980230	Roller bearing	1				
25	1980020	Pump head	1	65	480671	Seal	1				
26	1260162	Plug	3	66	1980430	Spacer	3				
27	960160	O-Ring	3	67	1320060	Motor Flange NEMA-56C	1				
28	1269050	Complete valve	3	68	1200430	Screw	4				
29	1982520	Hose tail	1	69	1981770	Knob plug	1				
30	480480	O-Ring	1								
31	1250280	Ball	1								
32	1560520	Spring	1								
33	1460430	O-Ring	1								
34	1540170	Jet	1								
35	1080091	Spring	1								
36	394280	O-Ring	1								
37	1200690	O-Ring	1								
38	1270141	Detergent injector	1								
39	1989050	Complete valve	3								
40	1342761	Gasket	3								
41	1980180	Piston guide	3								
42	770130	O-Ring	3								

Legend

For ○ XJV2G15E For □ XJV2.5G15E For ▼ XJV3G20E

Repair Kits

Water Seal Kit 2798		Valve Kit 2869		Pistons Kit 2796		Oil Seals Kit 2797	
Pos.	Qty.	Pos.	Qty.	Pos.	Qty.	Pos.	Qty.
40	3	12	6	54	3	45	3
42	3	28	3			46	1
43	3	39	3			65	1
44	3						

O-Rings Kit 2799

Pos.	Qty.	Pos.	Qty.
9	1	27	3
10	1	30	1
12	7	31	1
13	1	32	1
14	1	33	1
15	1	36	1
16	2	37	1
19	1	48	1
21	2	62	1

