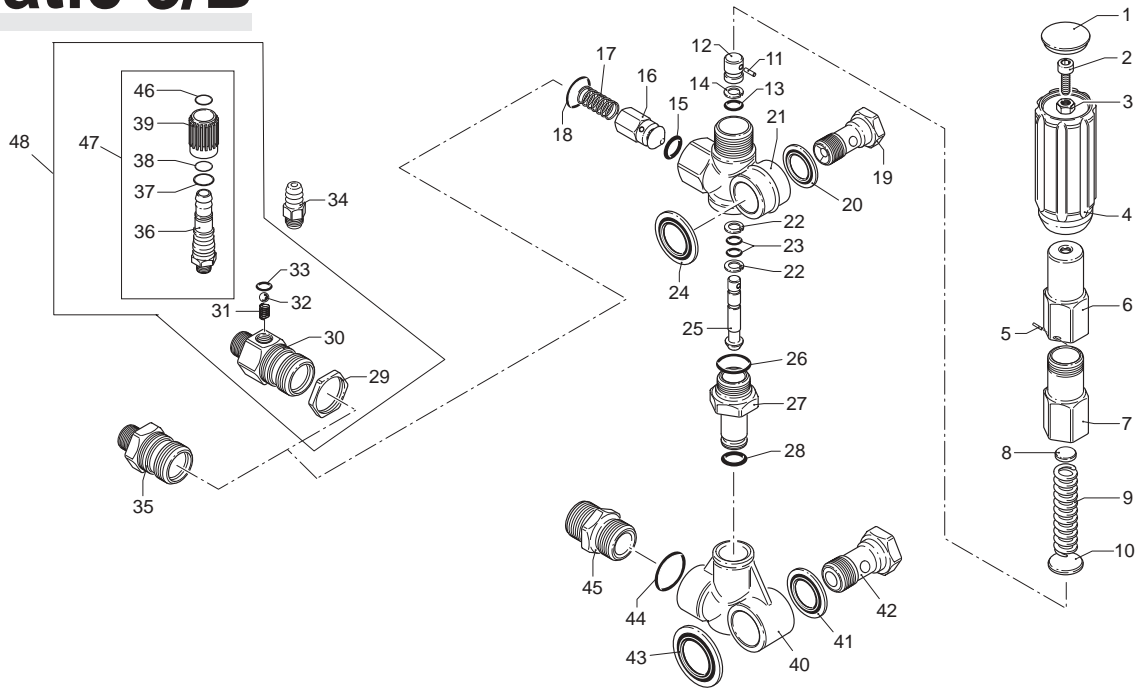


Gymatic 3/B



Pos.	Code	Description	Qty.	Pos.	Code	Description	Qty.
1	1560580	Handle Plug	1	40	1540020	By-pass housing	1
2	180030	Adjusting screw	1	41	1540120	Sealing washer	1
3	1660210	Lock nut	1	42	1540090	1/2" G mounting bolt	1
4	1560400	Handle	1	43	1560290	Sealing washer	1
5	1080070	Pin	1	44	480440	O-Ring	1
6	1560420	Brass adjusting cap	1	45	1540050	1/2" G inlet fitting	1
7	1560410	Spring guide	1	45	1560640	1/2" NPT inlet fitting	1
8	1560440	Spring plate	1	46	1560660	Retaining ring	1
9	1560350	Spring	1	47	1569202	Complete adjustable injector kit	1
10	1080610	Spring plate	1	48	1569204	Complete adjustable injector kit	1
11	1080660	Pin	1				
12	1080540	Upper piston	1				
13	391000	O-Ring	1				
14	1080640	Back-up ring	1				
15	1560150	O-Ring	1				
16	1560100	Shutter valve	1				
17	1560140	Spring	1				
18	180101	O-Ring	1				
19	1540080	3/8" G mounting bolt	1				
20	1540110	Sealing washer	1				
21	1560010	Valve body	1				
22	1080550	Back-up ring	2				
23	480480	O-Ring	2				
24	1560280	Sealing washer	1				
25	1560320	Lower piston	1				
26	880270	O-Ring	1				
27	1560051	By-pass adaptor	1				
28	390080	O-Ring	1				
29	1560510	Lock nut	1				
30	1560500	3/8" G injector body 1.8	<input type="checkbox"/> <input checked="" type="checkbox"/> 1				
31	1560530	3/8" G injector body 2.1	<input type="checkbox"/> <input checked="" type="checkbox"/> 1				
32	1560520	Spring	<input type="checkbox"/> <input checked="" type="checkbox"/> 1				
33	1250280	Ball	<input type="checkbox"/> <input checked="" type="checkbox"/> 1				
34	480480	O-Ring	<input type="checkbox"/> <input checked="" type="checkbox"/> 1				
34	1560490	Hose barb (fixed)	<input type="checkbox"/> 1				
35	1560111	Steel adaptor 3/8" G	<input type="checkbox"/> 1				
35	1560031	Steel adaptor 3/8" NPT	<input type="checkbox"/> 1				
36	1560650	Hose barb (adjustable)	<input checked="" type="checkbox"/> 1				
37	800560	O-Ring	<input checked="" type="checkbox"/> 1				
38	480560	O-Ring	<input checked="" type="checkbox"/> 1				
39	1560670	Detergent regulator knob	<input checked="" type="checkbox"/> 1				

Legend		
3/B	3/B+ID	3/B+IDR
Series	Series	Series
XR/RK/XM	RK	RK
For <input type="radio"/>	For <input type="checkbox"/>	For <input checked="" type="checkbox"/>
AR20242	AR20081 1.8	AR20399 1.8
	AR20082 2.1	AR20400 2.1

Repair Kits

O-Rings		Bolts	
Kit 2611		Kit 2119	
Pos.	Qty.	Pos.	Qty.
13	1	19	1
14	1	20	1
15	1	24	1
18	1	41	1
20	1	42	1
22	2	43	1
23	2		
24	1		
26	1		
28	1		
33	1		
41	1		
43	1		