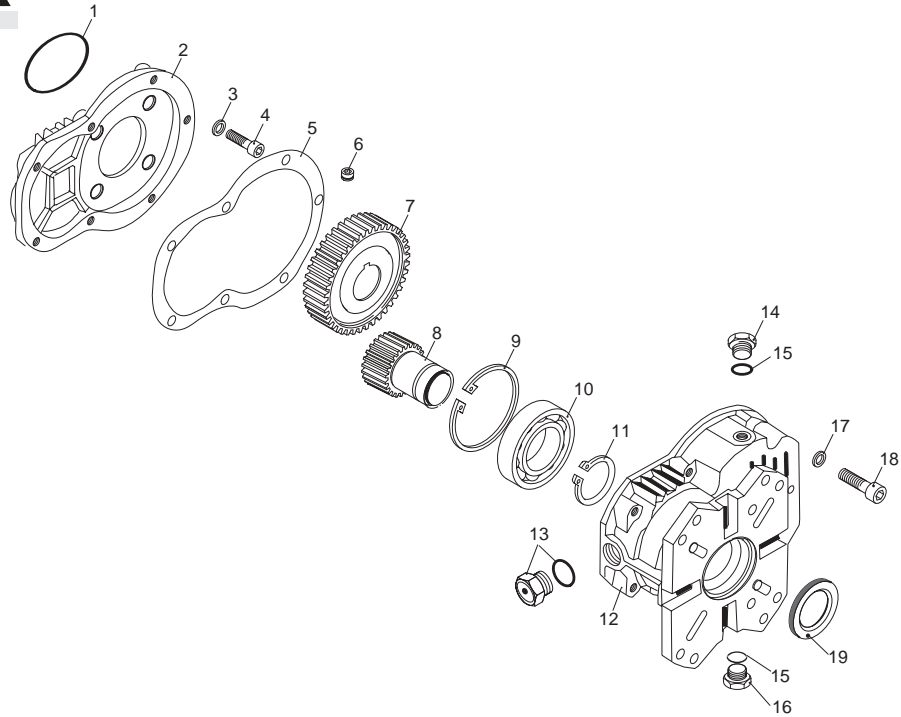


Gear Box



| Pos. | Code | Description | Qty. |
|------|---------|----------------------|------|
| 1 | 8367172 | O-Ring | 1 |
| 2 | 8367604 | Flange cover | 1 |
| 3 | 8367204 | Washer | 1 |
| 4 | 8367503 | Bolt | 1 |
| 5 | 8367242 | Gasket | 1 |
| 6 | 8367407 | Set screw | 1 |
| 7 | 8367327 | Pinion | 1 |
| 8 | 8367429 | Pinion 1" | ○ 1 |
| 9 | 8367431 | Pinion 1 1/8" | □ 1 |
| 9 | 8367621 | Circlip | 1 |
| 10 | 8367414 | Bearing | 1 |
| 11 | 8367620 | Circlip | 1 |
| 12 | 8367830 | Body | 1 |
| 13 | 8367306 | Sight glass w/O-Ring | 1 |
| 14 | 8367381 | Cap | 1 |
| 15 | 8367543 | O-Ring | 2 |
| 16 | 8367302 | Cap | 1 |
| 17 | 8367102 | Washer | 1 |
| 18 | 8367523 | Bolt | 1 |
| 19 | 8367733 | Seal | 1 |

Legend

| | |
|---------------------|-------------------|
| For ○ | For □ |
| Code: 1600 | Code: 1601 |
| Reduction: 1:2.24 | Reduction: 1:2.24 |
| 1" Shaft | 1 1/8" Shaft |
| RK/XR/XW/SXW Series | |