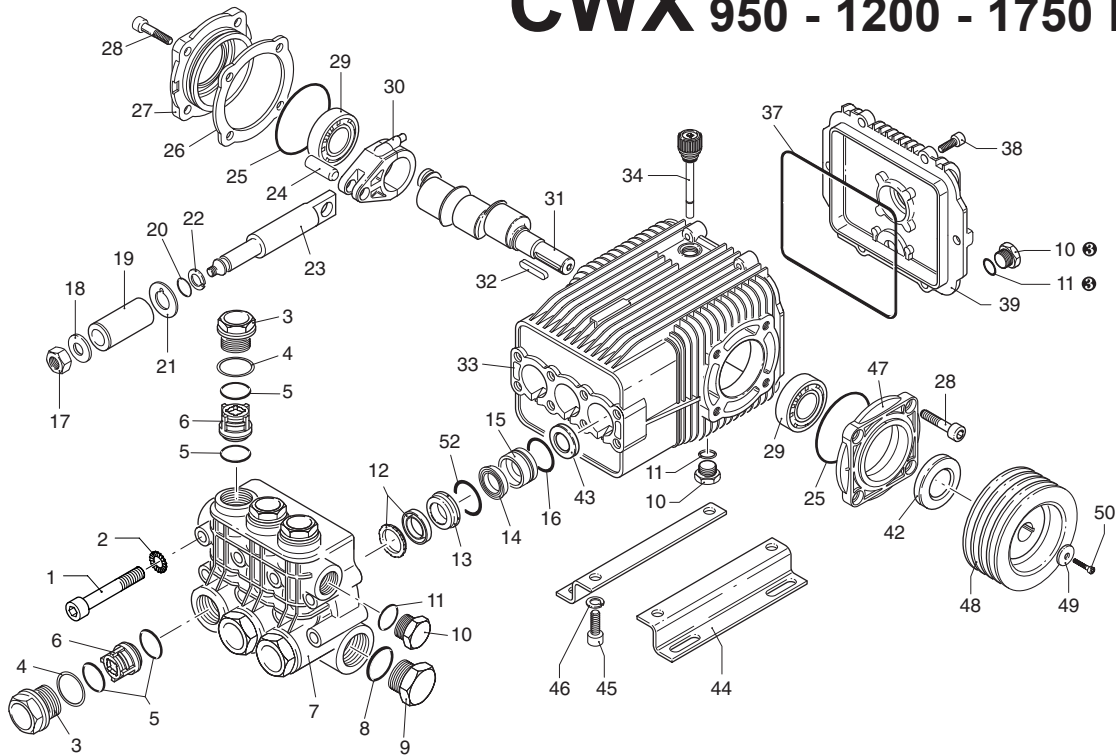


CWX 950 - 1200 - 1750 RPM



CWX 15.17
900 RPM

CWX 18.10
1200 RPM

CWX 15.17
1750 RPM

Pos	Code	Description	Qty	Pos	Code	Description	Qty	Pos	Code	Description	Qty
1	1941360	Screw TCEI M 10x80	8	22	1940120	Ring	3	43	1940560	Seal	3
2	650530	Washer	8	23	1940070	Piston Guide	3	44	1940370	Base (optional)	2
3	1940140	Plug	6	24	1940060	Piston Pin	3	45	1940380	Screw TCEI M10x18(optional)	4
4	1940150	Ring	6	25	1941380	O-Ring Ø 66.34x2.62mm	2	46	200231	Washer (optional)	4
5	1140450	O-Ring Ø 20.24x2.62mm	12	26	1941390	0.05mm Shim	1-3	47	1941240	Open Bearing Support	1
6	1949050	Complete Valve	6	26	1941400	0.10mm Shim	1-3	52	1941220	Cut O-Ring Ø 22x2mm	3
7	1940021	Pump Head	1	26	1941410	0.19mm Shim	1-3	60	1949200	Head Pre-Assem. Ø 20mm	1
8	550350	O-Ring Ø 23.81x2.62mm	1	26	1941420	0.25mm shim	1-3				
9	1140300	Plug 3/4" (G)	1	27	1949011	Compl. Side Cover	1				
10	1940780	Plug 3/8" (G)	3	28	850370	Screw TCEI M 8x16	8				
11	740290	O-Ring Ø 14x1.78mm	3	29	1140410	Bearing	2				
12	1940440	Gasket w/ Ring Ø 20mm	3	30	1940050	Con Rod	3				
13	1940430	Front Piston Guide Ø 20mm	3	31	1940180	Crankshaft	● 1				
14	1940470	Gasket Ø 20mm	3	31	1940530	Crankshaft	⊖ 1				
15	1940450	Rear Piston Guide Ø 20mm	3	32	650250	Key	1				
16	820490	O-Ring Ø 34.65x1.78mm	3	33	1941330	Pump Housing	1				
17	1940570	Nut	3	34	1140370	Oil Cap	1				
18	1940580	Washer	3	37	1940410	O-Ring Ø 132x3mm	1				
19	1420430	Piston Ø 20mm	3	38	1200430	Screw TCEI M 6x16	6				
20	880840	O-Ring Ø 9.25x1.78mm	3	39	1949010	Complete Cover	1				
21	960460	Spacer	3	42	820680	Seal	1				

Repair Kits

Kit 2650 Piston Ø 20mm		Kit 2784 Piston Guides Ø 20mm		Kit 2780 Valves	
Pos	Qty.	Pos	Qty.	Pos	Qty.
19	3	13	3	5	12
		15	3	6	6

Kit 2781 Oil Seals		Kit 2782 Water Seals Ø 20mm	
Pos	Qty.	Pos	Qty.
25	2	12	3
37	1	14	3
42	1	16	3
43	3	52	3

Legend

Ø 20 mm

CWX 15.17 ● CWX 18.10 ● CWX 15.17 ⊖
900 RPM 1200 RPM 1750 RPM

For High Temp Use

Code	Description	Qty.
2778	Water Seal in VITON Ø 20 mm	1

Pos	Qty.	Pos	Qty.
25	2	12	3
37	1	14	3
42	1	16	3
43	3	52	3