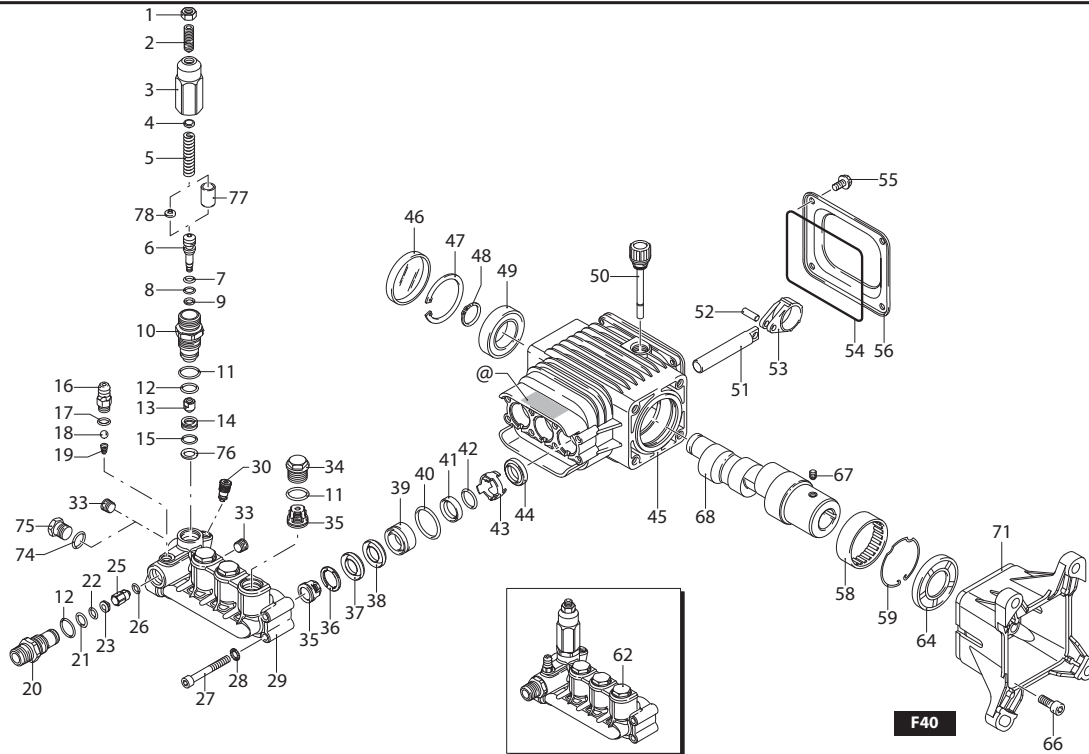
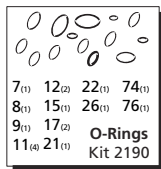
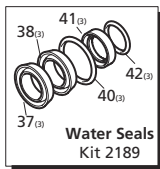
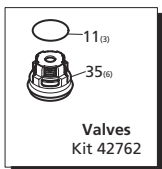


1" SHAFT



Repair Kits



| Pos | Code | Description | Qty | Pos | Code | Description | Qty | Pos | Code | Description | Qty |
|-----|---------|---------------------------|----------------|-----|---------|---------------------------------|----------------|-----|---------|----------------------|-----|
| 1 | 1060120 | Nut M6 | 1 | 38 | 1981580 | Ring | 3 | | | | |
| 2 | 392840 | Grub screw M6x16 | 1 | 39 | 1981570 | Piston guide | 3 | | AR64516 | Oil | 1 |
| 3 | 2760480 | Insert | 1 | 40 | 770260 | O-Ring Ø23.52x1.78 | 3 | | | OIL CAPACITY - 16 OZ | |
| 4 | 1980220 | Spring plate | 1 | 41 | 1260440 | Water seal | 3 | | | | |
| 5 | 2760410 | Spring | 1 | 42 | 640070 | O-Ring Ø13.95x2.62 | 3 | | | | |
| 6 | 2760400 | Valve piston | 1 | 43 | 2760310 | Spacer | 3 | | | | |
| 7 | 2260100 | O-Ring Ø6.02x2.62 | 1 | 44 | 1260460 | Oil seal | 3 | | | | |
| 8 | 660190 | O-Ring Ø6.07x1.78 | 1 | 45 | 2760010 | Pump body | 1 | | | | |
| 9 | 2760210 | Ring | 1 | 46 | 1266740 | Oil seal | 1 | | | | |
| 10 | 2760050 | Piston guide | (309 in/lbs) 1 | 47 | 1260790 | Circlip Ø152 | 1 | | | | |
| | 2760960 | Piston guide | (309 in/lbs) 1 | 48 | 1780550 | Ring | 1 | | | | |
| 11 | 1200690 | O-Ring Ø15.6x1.78 | 1 | 49 | 1780490 | Bearing | 1 | | | | |
| 12 | 394280 | O-Ring Ø12.42x1.78 | 2 | 50 | 880130 | Oil cap | 1 | | | | |
| 13 | 2260070 | By-pass jet | (18 in/lbs) 1 | 51 | 2760040 | Piston | 3 | | | | |
| 14 | 2760980 | Seat | 1 | 52 | 1780050 | Piston pin | 3 | | | | |
| 15 | 770140 | O-Ring Ø11.11x1.78 | 1 | 53 | 1780040 | Con-rod Aluminum | 3 | | | | |
| 16 | 1982520 | Hose nipple | (35 in/lbs) 1 | 54 | 1780710 | Con-rod Bronze | 3 | | | | |
| 17 | 480480 | O-Ring Ø4.48x1.78 | 1 | 55 | 2760281 | O-Ring | 1 | | | | |
| 18 | 1250280 | Ball | 1 | 56 | 820190 | Bolt 6x12 | (212 in/lbs) 4 | | | | |
| 19 | 1560520 | Spring | 1 | 58 | 2760110 | Rear cover | 1 | | | | |
| 20 | 2760230 | Detergent injector 3/8" G | (354 in/lbs) 1 | 59 | 1321190 | Bearing | 1 | | | | |
| 21 | 2760270 | O-Ring Ø12x1 | 1 | 62 | 42546 | Complete pump head w/o EZ start | 1 | | | | |
| 22 | 1470210 | O-Ring Ø9x1 | 1 | | 42527 | Complete pump head EZ-start | 1 | | | | |
| 23 | 2760120 | Injector insert | 1 | 64 | 480671 | Oil seal | 1 | | | | |
| 25 | 2760130 | Jet | 1 | 66 | 180030 | Bolt M8x20 | (217 in/lbs) 4 | | | | |
| 26 | 2101770 | O-Ring Ø4x2.5 | 1 | 67 | 820440 | Set screw M6x6 | 1 | | | | |
| 27 | 801080 | Bolt M6x16 | (92 in/lbs) 8 | 68 | 1780340 | Hollow shaft Ø1" | 1 | | | | |
| 28 | 1381550 | Lock washer | 8 | | 1780330 | Hollow shaft Ø1" | 1 | | | | |
| 29 | 2761050 | Head - Bare EZ-start | 1 | | 1780920 | Hollow shaft Ø1" | 1 | | | | |
| | 2760330 | Head - Bare w/o EZ-start | 1 | 71 | 2760290 | Flange F40 | 1 | | | | |
| 30 | 42304 | EZ Start Assembly | 1 | 74 | 820510 | O-Ring Ø10.82x1.78 | 1 | | | | |
| 33 | 2760260 | Plug 1/4" G | 2 | 75 | 880581 | Plug 1/4" G | 1 | | | | |
| 34 | 2769054 | Valve cap Machined | 3 | 76 | 2760640 | Ring | 1 | | | | |
| 35 | 2761450 | Complete valve | (442 in/lbs) 6 | 77 | 2760970 | Bushing | 1 | | | | |
| 36 | 2760220 | Ring | 3 | 78 | 1980220 | Spring plate | 1 | | | | |
| 37 | 1342761 | Water seal | 3 | | | | | | | | |

Special Parts / Kits

| Code | Description | Qty |
|-------|-------------------------------------------------------|-----|
| 42304 | EZ Start assembly | 1 |
| 2280 | Unloader kit up to 3200 PSI no knob with seat | 1 |
| 42369 | Unloader kit above 3200 PSI no knob with seat | 1 |
| 42128 | Unloader kit above 3200 PSI with knob without seat | 1 |
| 42129 | Unloader seat for 42128 | 1 |

Legend

| Ø 15 | Ø 15 | Ø 15 | Ø 15 |
|-----------|---------|---------|---------|
| For ▲ | For □ | For ○ | For ■ |
| RSV3.5G35 | RSV4G30 | RSV3G30 | RSV4G35 |
| | | For ● | RSV4G40 |
| | | RSV3G35 | |