

Plunger Pumps

FEATURING

MANIFOLD: High strength forged brass or nickel plated for long term use.

BOLTS: Eight 10mm grade 8.8.

PLUNGERS: A special thick solid ceramic for long life, strong durability and more resilience.

CRANKCASE: Precision die-cast, large cooling fins and anodized for maximum heat dissipation. Bayonet style sight glass located in the rear and side cover, fill and side and bottom drain plugs.

BEARINGS: Oversized premium tapered roller bearing for maximum life and load distribution.

BEARINGS SUPPORTS: Precision die-cast and machined to assure concentricity and alignment.

VALVES, SEATS, AND SPRINGS: Stainless steel with specially designed Ultra Form cages to provide long life and positive seating.

SEALS AND V-PACKINGS: Continuously lubricating for extended life. Triple lip oil seal for assured crankcase seal.

PLUNGER RODS: High strength stainless steel, for heavy duty use.

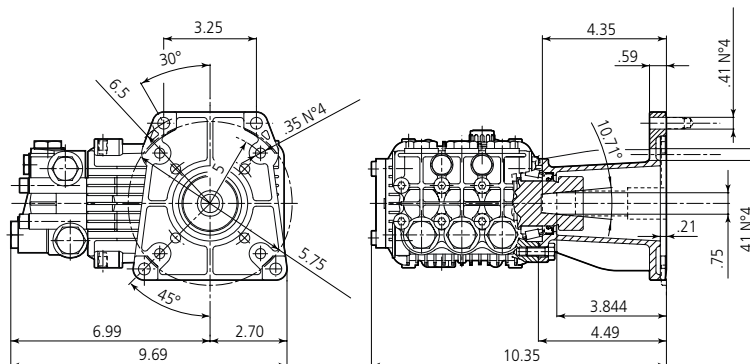
CONNECTING RODS: Two-piece special alloy aluminum based material, oversized for maximum strength, load disbursement, and long life. Heavy pin area construction, for added load strength.

DIMENSIONS



GRKV

V version + F35
Conical hollow shaft pump



SPECIFICATIONS

MODEL	MAX GPM	MAX LMP	MAX PSI	MAX BAR	POWER EBHP	BORE DIA MM	STROKE MM	CRANKSHAFT ID STAMP	WEIGHT LBS.
GRKV4G35HV-F35	4.0	15.1	3500	240	9.5	18	7.0	8	23

Oil Capacity = 15.3 oz

Maximum Fluid Temperature = 140° F

Inlet Thread = 1/2" F

Discharge Thread = 3/8" F

Torque Specifications Inch pounds (ft. lbs)

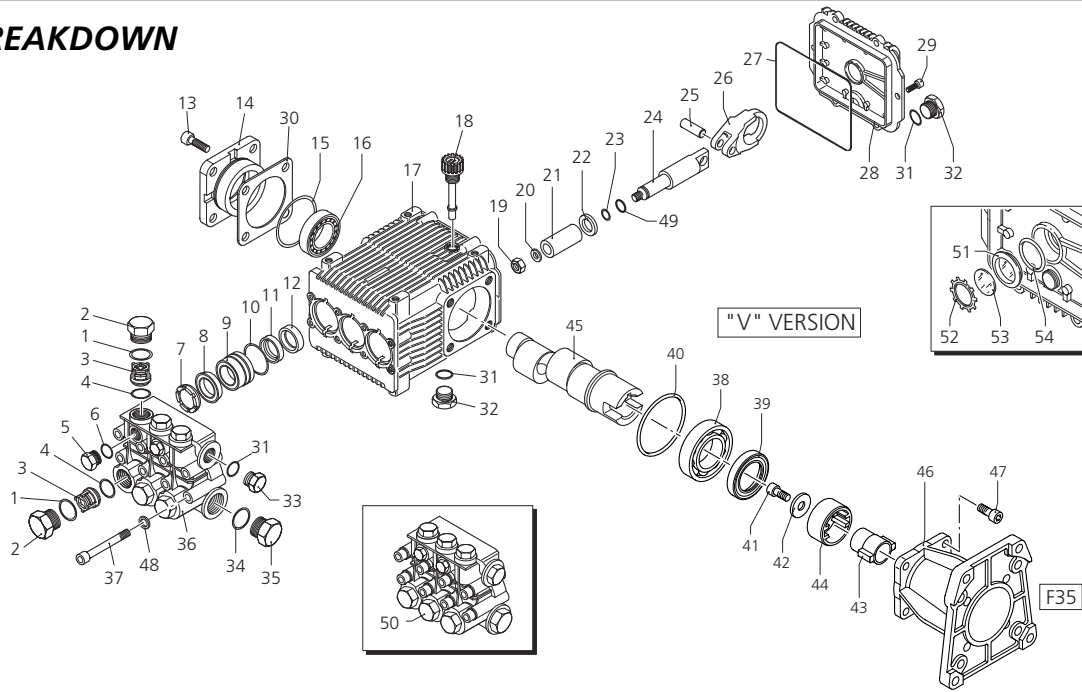
HEAD	PISTON NUT	REAR COVER	SIDE COVER	VALVE CAP	CON RODS
217 (18)	106 (8.8)	89 (7.5)	217 (18)	478 (40)	N/A

Engine crankshaft coupling bolt: 221 (18)

SPECIAL NOTE: Use AR64516 Oil. First change oil after 50 hours of use. Then every 500 hours. This oil is specially formulated to provide correct lubrication properties for our pumps. **No** other oil is factory approved for these pumps.



PARTS BREAKDOWN



Pos.	Code	Description	Qty.	Pos.	Code	Description	Qty.	Legend			
1	960160	O-Ring	6	35	820361	Plug 1/2" G	○ 1	Ø 18	Ø 18		
2	960090	Plug	○ 6	35	960870	Plug 1/2" G Nickel	□ 1	For ○	For □		
3	960850	Plug	□ 6	36	1381071	Pump head	○ 1	GRKV4G30A	GRKV4G35H		
3	889052	Complete valve	6	36	1381070	Pump head	□ 1	GRKV4G30			
4	880830	O-Ring	6	37	820150	Screw	8	Repair Kits			
4	880830	Plug 1/4" G	○ 2	37	1380320	Bearing	1				
5	1380690	Plug 1/4" G Nickel	□ 2	38	621170	Seal	1	Water Seal	Valve	Pistons	Oil Seals
6	820510	O-Ring	2	39	1380220	O-Ring	1	Kit 1857	Kit 1828	Kit 2546	Kit 1856
7	960110	Support ring	3	40	620440	Screw	1	Pos. Qty.	Pos. Qty.	Pos. Qty.	Pos. Qty.
8	880320	Gasket	3	41	2280450	Washer	1	8 3	3 6	19 3	12 3
9	1380090	Piston guide	3	42	2280410	Coupling	1	10 3	4 6	20 3	14 1
10	961240	O-Ring	3	43	2280420	Coupling snap ring	1	11 3		21 3	27 1
11	880330	Gasket	3	44	2280440	Hollowshaft	1			22 3	39 1
12	1383130	Seal	3	45	2280430	Gas engine flange	1			23 3	40 1
13	850370	Screw	4	46	180030	Screw	4			49 3	
14	1380050	Bearing support	1	47	1381850	Washer	8				
15	640030	O-Ring	1	48	1080401	Ring	3				
16	2280240	Bearing	1	49	1389232	Pump head assembly	○ 1	Support Ring	Mounting		
17	1382770	Pump housing	1	50	1389224	Pump head assembly	□ 1	Kit 1829	Kit 2504		
18	880130	Oil cap	1	51	1260250	Oil indicator	1	Pos. Qty.	Pos. Qty.		
19	962010	Nut	3	51	1260430	Snap ring	1	7 3	41 1		
20	962000	Washer	3	52	1780690	Disc	1		42 1		
21	1380940	Ceramic piston	3	53	1140450	O-Ring	1		43 1		
22	1380950	Spacer	3						44 1		
23	600180	O-Ring	3								
24	1380920	Guiding piston	3								
25	1380060	Piston pin	3								
26	1383050	Aluminum con rod	3								
26	1383020	Bronze con rod	3								
27	1780510	O-Ring	1								
28	1789010	Complete cover	1								
29	1343510	Screw	6								
30	1380120	0,10 mm shim	1-3								
30	1380130	0,20 mm shim	1-3								
30	1380530	0,25 mm shim	1-3								
30	1382810	0,05 mm shim	1-3								
31	740290	O-Ring	3								
32	1980740	Plug 3/8" G	2								
33	1980740	Plug 3/8" G	○ 1								
33	1981180	Plug 3/8" G	□ 1								
34	180101	O-Ring	1								

Code	Description	Qty.
2809	Viton water seals Ø18	1

