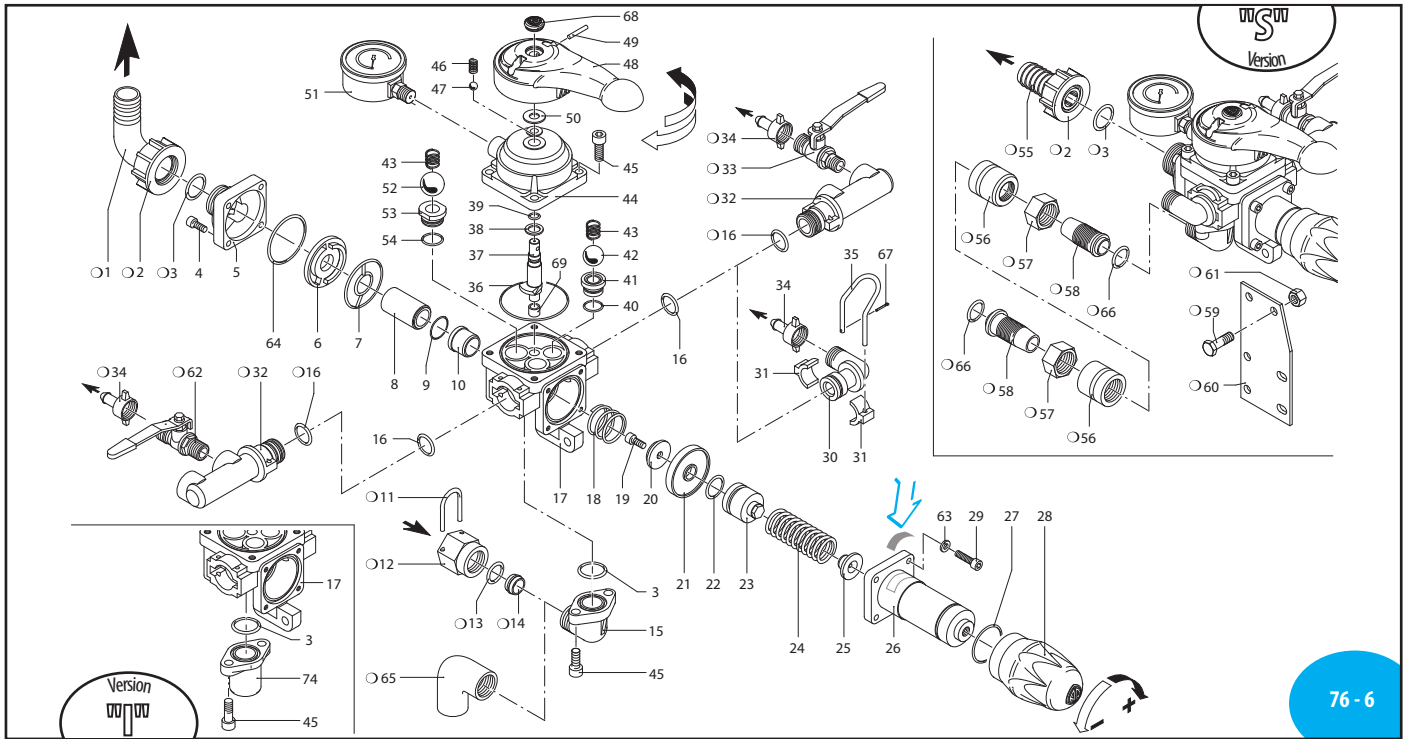


A.R. NORTH AMERICA BY MATIC 50



76 - 6

Pos	Cod.	Descrizione	Q.ty	Note
1	550370	Elbow	Ø 25	1
2	550242	Ring nut	1" G	1
3	550350	O-ring	Ø 23,81x2,62	2 ▶
4	780060	Screw	TCEI M6x25	4 C ₁₀
5	1150031	Flange		1 Cataforesi
6	1150021	Plate		1
7	1150041	Gasket		1 ▶
8	1150050	Spacer		1
9	770590	O-ring	Ø 21,95x1,78	1 ▶
10	1150060	Seat		1
11	850760	Fork		1
12	850750	Ring nut	3/4" G F	1
13	390180	O-ring	Ø 18,72x2,62	1 ▶
14	850490	Ring		1
15	850713	Fitting	1/2" G M	1
16	390060	O-ring	Ø 20,63x2,62	2 ▶
17	1150012	Body		1
18	320420	Spring		1
19	680700	Screw	TCEI M6x20	1 C ₁₀ SS
20	1150070	Valve		1
21	1150130	Diaphragm		1 Desmopan
21	1150131	Diaphragm		1 NBR
22	620031	O-ring	Ø 25,80x3,53	1 ▶ Viton
23	1150180	Piston		1
24	1150190	Spring		1
25	1150200	Wobble plate		1
26	1150171	Body	guida molla	1
27	820490	O-ring	Ø 34,65x1,78	1 ▶
28	1150921	Knob		1 Nera
29	1040370	Screw	TCEI M6x22	4 C ₁₀
30	1150140	Fitting		2
31	1150150	Clamp		4
32	1150161	Body	rubinetto	2
33	160142	Cock	1/2" G M-M SX	2
34	110130	Ring nut	1/2"	4
35	1040690	Fork		2
36	1150250	O-ring	Ø 65x2	1 ▶
37	1150120	Hub pin		1
38	850720	Washer		1
39	390340	O-ring	Ø 7,30x2,4	1 ▶
40	740290	O-ring	Ø 14x1,78	2 ▶
41	850650	Seat		2
42	850660	Ball		2 SS

Pos	Cod.	Descrizione	Q.ty	Note
43	850680	Spring	3	▶
44	1150082	Body	upper distributor	1
45	320360	Screw	TCEI M8x22	6 C ₂₀
46	850830	Spring		1
47	621160	Ball		1
48	1150891	Lever		1 Black
49	1040820	Pin		1
50	391460	Washer		1
51	550545	Pressure gauge	Ø63	1 0-1150 PSI
51	1151010	Pressure gauge	Ø63 isometric	1 0-725-1150 PSI
52	1150100	Ball		1 SS
53	1150091	Seat		1
54	880270	O-ring	Ø 17,17x1,78	1 ▶
55	550210	Pipe	Ø 25	1
56	850770	Ring nut		2
57	850790	Ring nut	3/4" G	2
58	850780	Hose tail	Ø 19x34	2
59	180370	Screw	TE M8x25	2 C ₂₀
60	850690	Bracket		1
61	390270	Nut	M8	2 C ₂₀
62	160141	Cock	1/2" G M-M DX	2
63	550331	Washer		4 Z/B
64	1150280	O-ring	Ø 50,52x1,78	1 ▶
65	1150690	Fitting	3/4" G F-F	1
66	960160	O-ring	Ø 17,86x2,62	2 ▶
67	1040950	Split pin		2
68	1150930	Plug		1
69	1150840	Bushing		1
74	550394	Flange		1

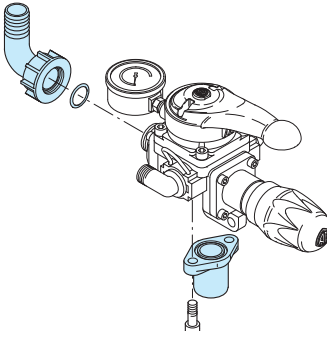
KIT 1967 O-Rings	
Pos.	Q.ty
3	2
9	1
13	3
22	1
27	1
36	1
39	1
40	2
54	1

KIT 1968 Maintenance repair					
Pos.	Q.ty	Pos.	Q.ty	Pos.	Q.ty
3	2	21	1	64	1
7	1	22	1		
9	1	23	1		
10	1	24	1		
16	2	27	1		
18	1	36	1		
19	1	38	1		
20	1	39	1		

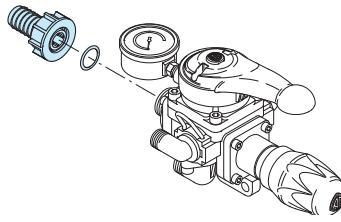
BY MATIC 50

Kit for BY MATIC 50

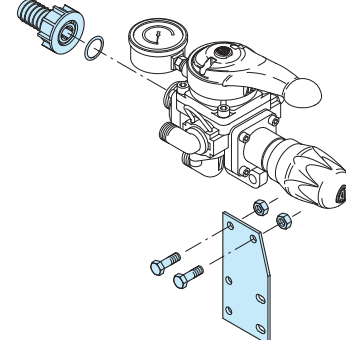
KIT 895 "I"



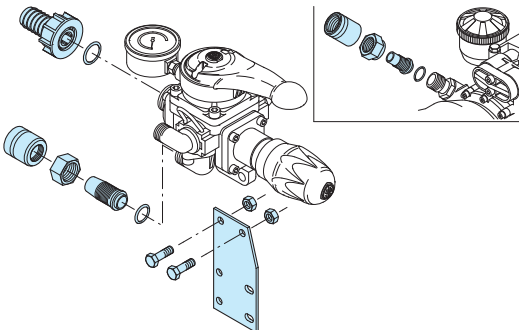
KIT 988 "S"



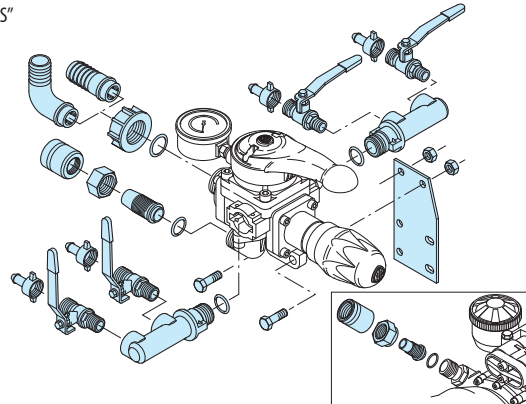
KIT 999 "S"



KIT 990 "S"



KIT 997 "S"



Build-in control unit and remote control

KIT 895 "I"
Build in control

Pos.	Q.ty	Pos.	Q.ty
1	1		
2	1		
3	1		
74	1		

For AR 903 - AR 1053 - AR 1203
BHA/BHP 130 - 150 - 170 - 200
BHS 90 - 105 - 120 - 130 - 150 - 170 - 200

KIT 988 "S"
Remote control

Pos.	Q.ty	Pos.	Q.ty
2	1		
3	1		
55	1		

For AR 713 - AR 813 - AR 1064 - AR 1516
AR 903 - AR 1053 - AR 1203
BHA/BHP 130 - 150 - 170 - 200

KIT 999 "S"
Remote control

Pos.	Q.ty	Pos.	Q.ty
2	1		
3	1		
55	1		
59	2		
60	1		
61	2		

For AR 713 - AR 813 - AR 1064
AR 903 - AR 1053 - AR 1203
BHS/BHA/BHP 130 - 150 - 170 - 200

○ No part of BY MATIC 50

KIT 990 "S"
Remote control

Pos.	Q.ty	Pos.	Q.ty
2	1	59	2
3	1	60	1
55	1	61	2
56	2	66	2
57	2		
58	2		

For AR 713 - AR 813 - AR 1064
AR 903 - AR 1053 - AR 1203
BHS/BHA/BHP 130 - 150 - 170 - 200

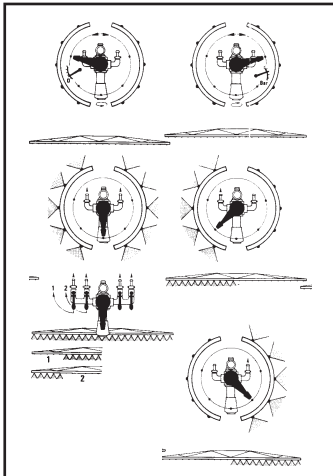
KIT 997 "S"
Remote control

Pos.	Q.ty	Pos.	Q.ty
1	1	57	2
2	1	58	2
3	1	59	2
16	2	60	1
32	2	61	2
33	2	62	2
34	4	66	2
55	1		
56	2		

For AR 713 - AR 813 - AR 1064
AR 903 - AR 1053 - AR 1203
BHS/BHA/BHP 130 - 150 - 170 - 200



Pump and manufacturer identification.



Control units