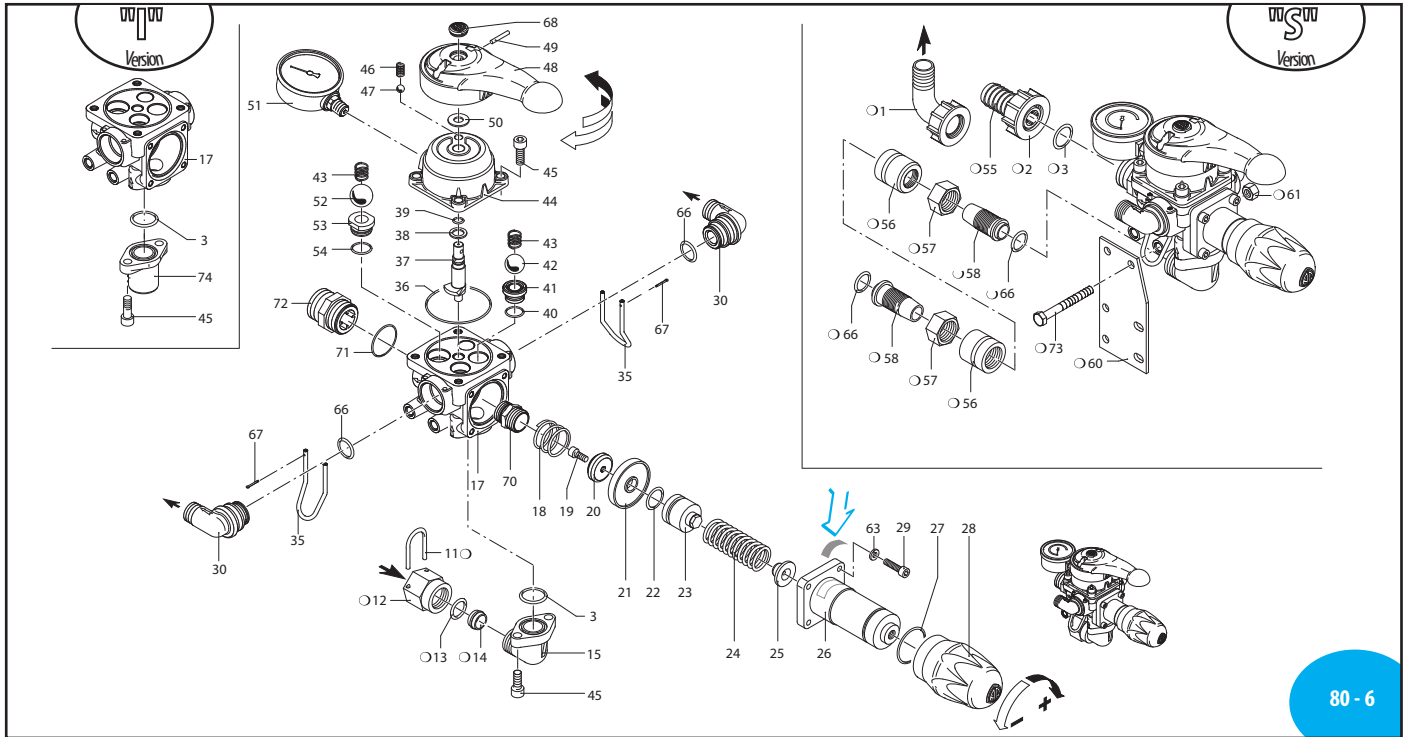


A.R. NORTH AMERICA BMS 50



80 - 6

Pos	Code	Discription	Qty	Note
1	550370	Elbow Ø 25	1	
2	550242	Ring nut 1" G	1	
3	550350	O-ring Ø 23.81X2.62	2	▶
11	850760	Fork	1	
12	850750	Ring nut 3/4" G F	1	
13	390180	O-ring Ø 18.72x2.62	1	▶
14	850490	Ring	1	
15	1150880	Fitting 3/4" G	1	Brass
17	1150960	Body	1	Brass
18	320420	Spring	1	
19	680700	Screw TCEI M6x20	1	⊕ C10 SS
20	1150980	Valve	1	
21	1150130	Diaphragm	1	Desmopan ☒
	1150131	Diaphragm	1	NBR
22	620031	O-ring Ø 25.80x3.53	1	Viton ▶
23	1150180	Piston	1	
24	1150190	Spring	1	☒
25	1150200	Wobble plate	1	
26	1150171	Body spring guide	1	
27	820490	O-ring Ø 34.65x1.78	1	▶
28	1150920	Knob	1	Red
29	1040370	Screw TCEI M6x22	4	C10
30	1150990	Fitting 1/2" G	2	Brass
35	1040690	Fork	2	
36	1150250	O-ring Ø 65x2	1	▶
37	1150120	Hub pin	1	☒
38	850720	Washer	1	▶
39	390340	O-ring Ø 7.30x2.4	1	▶
40	740290	O-ring Ø 14x1.78	2	▶
41	850650	Seat	2	Plastic
42	850660	Ball	2	SS
43	850680	Spring	3	☒
44	1150900	Body upper distributor	1	Brass
45	320360	Screw TCEI M8x22	6	C20
46	850830	Spring	1	☒
47	621160	Ball	1	
48	1150890	Lever	1	Red
49	1040820	Pin	1	▶
50	391460	Washer	1	
51	1150950	Pressure gauge	1	0-1150 PSI ⊕
	1151010	Pressure gauge Ø63	1	0-725-1150 PSI ⊕
52	1150100	Ball	1	SS

Pos	Code	Discription	Qty	Note
53	1150091	Seat	1	
54	880270	O-ring Ø 17.17x1.78	1	▶
55	550210	Pipe Ø 25	1	
56	850770	Ring nut	2	
57	850790	Ring nut 3/4" G	2	
58	850780	Hose tail Ø 19 x 34	2	
60	850690	Bracket	1	
61	390270	Nut M8	2	C20
63	550331	Washer	4	
66	960160	O-ring Ø 17.86x2.62	4	▶
67	1040950	Split pin	2	
68	1150930	Plug	1	
70	1150970	Seat	1	⊕
71	390290	O-ring Ø 29x3	1	
72	550340	Fitting 1" G M-M	1	
73	320700	Screw TE M8x70	2	C20
74	550394	Flange	1	

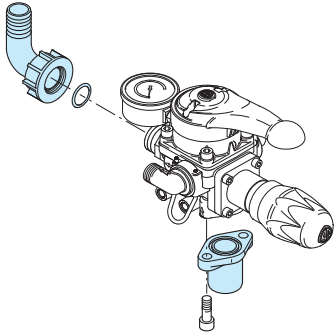
KIT 1967 O-Rings			
Pos.	Qty	Pos.	Qty
3	2	40	2
9	1	54	1
13	3		
22	1		
27	1		
36	1		
39	1		

KIT 2464 Maintenance repair			
Pos.	Qty	Pos.	Qty
3	3	27	1
18	1	36	1
19	1	38	1
20	1	39	1
21	1	66	1
22	1	70	1
23	1	71	1

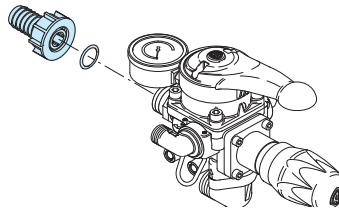
BMS 50

Kit for BMS 50

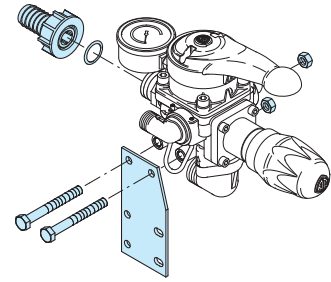
KIT 895 "I"



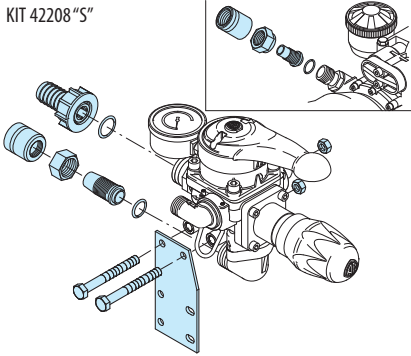
KIT 988 "S"



KIT 42207 "S"



KIT 42208 "S"



Build-in control unit and remote control

○ No part of BMS 50



Pump and manufacturer identification.

KIT 895 "I"
Build in control

Pos.	Qty	Pos.	Qty
1	1		
2	1		
3	1		
74	1		

For AR 903 - AR 1053 - AR 1203
BHA/BHP 130 - 150 - 170 - 200
BHS 90 - 105 - 120 - 130 - 150 - 170 - 200

KIT 988 "S"
Remote control

Pos.	Qty	Pos.	Qty
2	1		
3	1		
55	1		

For AR 713 - AR 813 - AR 1064
AR 903 - AR 1053 - AR 1203
BHS/BHA/BHP 130 - 150 - 170 - 200

KIT 42207 "S"
Build in control

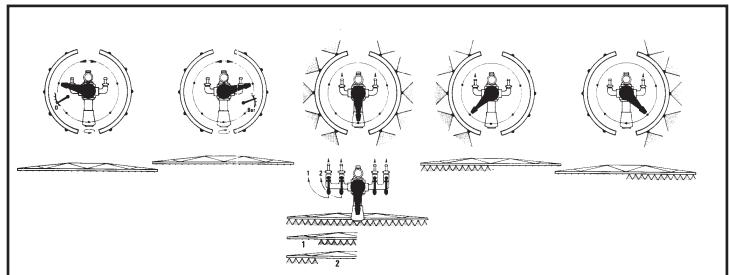
Pos.	Qty	Pos.	Qty
2	1		
3	1		
55	1		
60	1		
61	2		
73	2		

For AR 713 - AR 813 - AR 1064
AR 903 - AR 1053 - AR 1203
BHA/BHP 130 - 150 - 170 - 200
BHS 90 - 105 - 120 - 130 - 150 - 170 - 200

KIT 42208 "S"
Remote control

Pos.	Qty	Pos.	Qty
2	1	61	2
3	1	66	2
55	1	73	2
56	2		
57	2		
58	2		
60	1		

For AR 713 - AR 813 - AR 1064
AR 903 - AR 1053 - AR 1203
BHS 90 - BHS 105 - BHS 120
BHA 130 - BHA 150 - BHA 170 - BHA 200
BHP 130 - BHP 150 - BHP 170 - BHP 200
BHS 130 - BHS 150 - BHS 170 - BHS 200



Control units