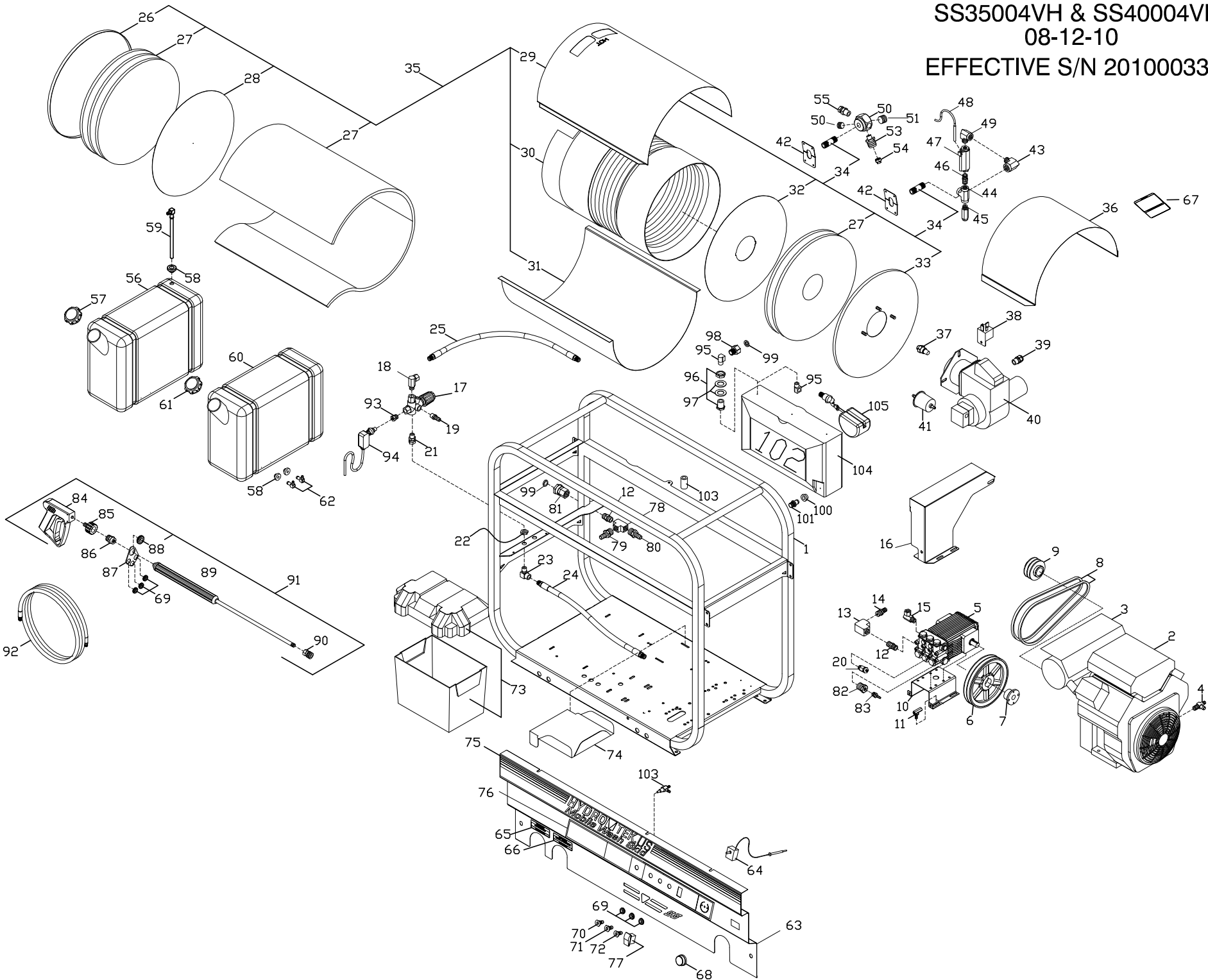


SS SERIES BELT DRIVE

SS35004VH & SS40004VH

08-12-10

EFFECTIVE S/N 201000338



SS35004VH & SS40004VH PARTS LIST

S/N 201000338

12-Aug-10

1	HSS00	FRAME STACKABLE B/D SS ASM	35	BC225	COIL ASM 4PK (FLAT END COIL)	71	NQ404	NOZZLE / QDC 04 x 40
2	MS145	ENGINE 14HP VANGUARD (SS35004VH)	36	HHP15	BURNER RAINGUARD- HP-2004	72	NQ353	NOZZLE / QDC 035 x 25
	MS180	ENGINE GAS 18HP VANGUARD ELS (SS40004VH)	37	BZ177	FUEL NOZZLE 1.75 90B (SS35004VH)	73	HB100	BATTERY BOX ATTWOOD G24 (LARGE)
3	HS005	VAN MUFF/HEAT SHIELD		BZ225	FUEL NOZZLE 2.25 80B (SS40004VH)	74	HB026	SC DIESEL BATTERY BOX TRAY
4	MS006	OIL DRAIN VALVE 3/8	38	ECC05	RELAY, BURNER, 12V 70 AMP	75	GLL79	LABEL, HYDRO TEK 47.375 x 3
5	PH411	PUMP 4 @ 4000 & 4.8 @ 3000 RIGHT H	39	EWC08	STRAIN RELIEF 1/2 HEYCO (3/8)	76	GLL23	LABEL, SS PRO BURNER CNTL 24.75
6	KU090	SHEAVE 2 BK 90 H (SS35004VH)	40	BU013	BURNER, BECKET 12V W/SUPPORTED FLANGE	77	EC405	ROCKER SWITCH CLR 12V 20A DPST
	KU080	SHEAVE 2 BK 80 H (SS40004VH)				78	D6088	TEE 1/2 BRASS
7	KSH19	BUSHING H24MM	41	BF015	FUEL FILTER INLINE	79	D8088	HOSE BARB 1/2 BRASS
8	KSB32	BELT B x 32 (SS35004VH)	42	B2324	COIL NIPPLE RETAINER 1/2in	80	D8128	HOSE BARB 3/4H x 1/2P BRASS
	KSB30	BELT B x 30 (SS40004VH)	43	DE586	STREET ELL 1/2"F x 3/8"M STEEL			
9	KU030	SHEAVE 2 BK 32 x 1	44	DE066	TEE 3/8" STEEL	81	D008F	GARDEN HA 1/2 NPT FEM
10	HPR10	PUMP ANGLE RAIL AR 4000 10 GAUGE ZINC PLTD	45	UP045	PRESSURE RELIEF 4500 = 15% 500q	82	D1084	BUSHING 1/2 x 1/4 BRASS (SS40004VH)
			46	DB506	NIPPLE 3/8 STEEL	83	D8044	HOSE BARB, 1/4 BRASS (SS40004VH)
11	HPR60	PUMP RAIL BOLT	47	VS005	FLOW SWITCH 8 @4200 ST5	84	VG200	TRIGGER GUN, INSULATED 4000psi
12	D2088	NIPPLE 1/2 BRASS	48	VS003	REED SWITCH	85	DQ74T	M22 TWIST COUPLER 1/4" MALE
13	D5088	ELL 1/2 BRASS	49	DC568	STREET ELL 3/8 STEEL	86	DQ74F	TWIST COUPLER 1/4" PLUG FEM-SUT
14	D8128	HOSE BARB 3/4H x 1/2P BRASS	50	HHA01	HEX MANIFOLD OUTLET 1/2 x 1/2 REEL	87	HNZ05	NOZZLE HOLDER (FOR WAND)
15	DE866	SWIVEL 3/8F x 3/8M 90				88	HLB30	GROMET; WAND 1"
16	HS012	BELT GUARD 3 BELT DRIVE	51	D1082	PLUG 1/2 STEEL HEX HEAD FLUSH	89	VW045	WAND 1/4" x 48" MOLDED GRIP
17	UU232	UNLOADER 4350SI 8GPM AR	52	D1061	PLUG 3/8 STEEL HEX HEAD FLUSH	90	DQ04S	COUPLER 1/4 SOCK FEM
18	DE766	SWIVEL 3/8F x 90 STEEL	53	UPB05	ADAPTER FITTING-BURST DISC			
19	D8068	HOSE BARB 1/2H x 3/8 BRASS	54	UPB80	BURST DISC 8000psi TORQUE 32-4	91	AVGH3	WAND ASM 48" MOLDED GRIP W/NOZZLE HOLDER
20	VA010	EZ START VALVE (SS40004VH)	55	DE568	SWIVEL 3/8F x 1/2M STEEL	92	DH057	HOSE 3/8 x 50' 4000 PSI
			56	WT07R	FUEL TANK 7.5 GAL GAS RED	93	DA064	BUSHING 3/8 x 1/4 STEEL (SS40004VH)
21	DE566	SWIVEL 3/8 STEEL	57	WT081	FUEL CAP GASOLINE	94	VS030	PRESSURE SWITCH 4000 PA/PR16 (SS40004VH)
22	D7061	HEX NUT 3/8 BRASS-REMOTE UNLOADER	58	DFF04	FUEL TANK BUSHING 1/4			
23	DC568	STREET ELL 3/8 STEEL	59	DF599	FUEL TANK ADAPTER W/PLASTIC TUBE	OPTIONAL		
24	DH026	HOSE 3/8 x 26.50 4000PSI	60	WT075	FUEL TANK 7.5 GAL DIESEL CLEAR	95	D5566	STREET ELL 3/8 BRASS
25	DH032	HOSE 3/8 x 30in 4000psi NO WHIP				96	D7520	PANEL FITTING 3/4 BRASS
26	B0029	COIL CAP (FLAT END) NO HOLE	61	WT080	FUEL CAP, DIESEL	97	FW701	FLOAT TANK WASHER 1.75od 14 GA STAINLESS
27	BN053	8' SECTION OF INSUL BLKT CUT x (5) 17.5 DIA	62	DFE04	FUEL TANK ELL 1/4"	98	D006M	GARDEN H A 3/8 NPT MALE
28	BN125	INSUL DISC RETAINER 17.5 DIA.	63	HSS03	SS PROLINE PANEL NO RADIUS	99	D0021	SCREEN WASHER GARDEN H A
29	B0089	COIL WRAP (FLAT END COIL) TOP	64	ECH50	THERMOSTAT, 60-250 1 GP PART=25-250 qty	100	DFF10	WATER TANK BUSHING 5/8
30	BC480	COIL, 4PK SCH 80	65	GLL10	LABEL, GASOLINE ONLY	101	DQF10	DISCONNECT BARB/TANK FITTING
			66	GLL20	LABEL, DIESEL FUEL ONLY	102	WT046	FLOAT TANK ASM W/VALVE/FILTER
31	B0088	COIL WRAP (FLAT END COIL) BOTTOM	67	GLL30	MAINTENANCE LABEL 4 x 4 SC,SS,SM	103	HSS20	FLOAT TANK SPACER (SS ULT LINE)
32	BN126	INSUL DISC RETAINER 17.5 DIA W/HOLE	68	ECH70	KNOB; BLUE .25id x 1.5od	104	WT040	TANK, FLOAT 4 GAL HD LINEAR (NO HOLES)
33	B0017	END CAP DUAL PASS 18in BURNER	69	HLB09	GROMET NOZLE HOLDER	105	VVF08	FLOAT VALVE 3/8 BRASS
34	BC850	BURNER NIPPLE, 1/2" x 5" SCH 80	70	NQ402	NOZZLE / QDC 04 x 15	106	VVC10	CHEMICAL MET VALVE MV-100 MOD