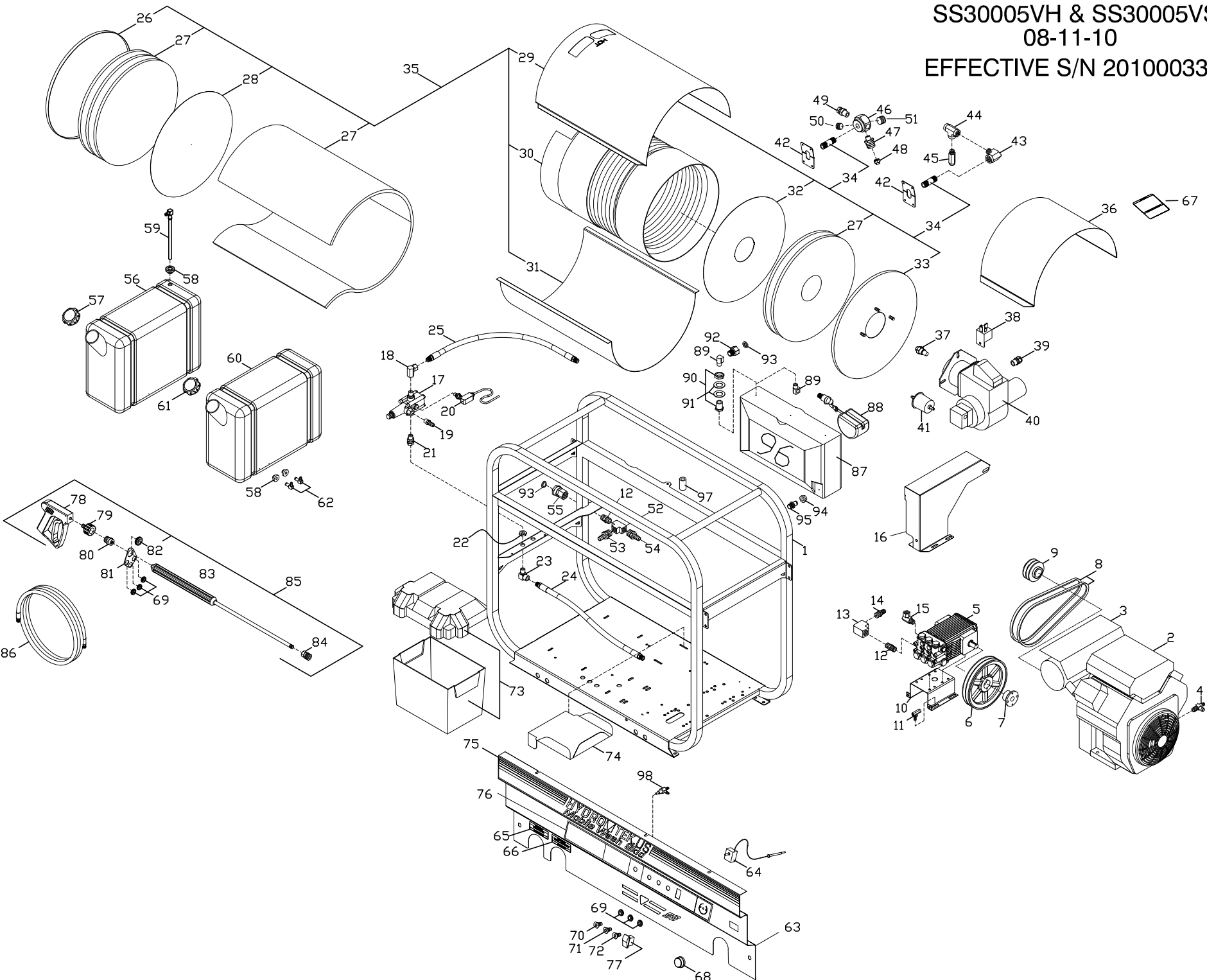


# SS SERIES BELT DRIVE

SS30005VH & SS30005VS

08-11-10

EFFECTIVE S/N 201000338



# SS30005VS & SS30005VH PARTS LIST

S/N 201000338

11-Aug-10

1	HSS00	FRAME STACKABLE B/D SS ASM	36	HHP15	BURNER RAINGUARD- HP-2004	71	NQ552	NOZZLE / QDC 055 x 15
2	MS145	ENGINE 14HP VANGUARD E/S (SS30005VS)	37	BZ225	FUEL NOZZLE 2.25 80B	72	NQ554	NOZZLE / QDC 055 x 40
	MS150	ENGINE GAS 16HP VANGUARD E/S W (SS30005VH)	38	ECC05	RELAY, BURNER, 12V 70 AMP	73	HB100	BATTERY BOX ATTWOOD G24 (LARGE)
3	HS005	VAN MUFF / HEAT SHIELD LEFT #1	39	EWC08	STRAIN RELIEF 1/2 HEYCO (3/8)	74	HB026	SC DIESEL BATTERY BOX TRAY
4	MS006	OIL DRAIN VALVE 3/8	40	BU013	BURNER BECKET 12V W/SUPPORTED FLANGE	75	GLL79	LABEL HYDRO TEK 47.375 x 3
5	PH411	PUMP 4 @4000 & 4.8 @3000 RIGHT				76	GLL23	LABEL SS PRO BURNER CNTL 24.75
6	KU070	SHEAVE 2BK 70 H	41	BF015	FUEL FILTER INLINE	77	EC405	ROCKER SWITCH CLR 12V 20A DPST
7	KSH19	BUSHING H24MM	42	B2324	COIL NIPPLE RETAINER 1/2in	78	VG200	TRIGGER GUN, INSULATED 4000psi
8	KSB29	BELT BX29	43	DE586	STREET ELL 1/2"F x 3/8"M STEEL	79	DQ74T	M22 TWIST COUPLER 1/4" MALE
9	KV026	SHEAVE 2BK 36 x 1"	44	DE066	TEE 3/8" STEEL	80	DQ74F	TWIST COUPLER 1/4" PLUG FEM-SUT
10	HPR10	PUMP ANGLE RAIL AR 4000 10 GA ZINC PLTD	45	UP137	PRESSURE RELIEF 3700 PSI BLACK			
			46	HHA01	HEX MANIFOLD OUTLET 1/2 x 1/2 REEL	81	HNZ05	NOZZLE HOLDER ( FOR WAND)
11	HPR60	PUMP RAIL BOLT	47	UPB05	ADAPTER FITTING-BURST DISC	82	HLB30	GROMET; WAND 1"
12	D2088	NIPPLE 1/2 BRASS	48	UPB80	BURST DISC 8000psi TORQUE 32-4	83	VW045	WAND 1/4" x 48" MOLDED GRIP
13	D5088	ELL 1/2 BRASS	49	DE568	SWIVEL 3/8F x 1/2M STEEL	84	DQ04S	COUPLER 1/4 SOCK FEM
14	D8128	HOSE BARB 3/4H x 1/2P BRASS	50	D1061	PLUG 3/8 STEEL, HEX HEAD FLUSH	85	AVGH3	WAND ASM 48" MOLDED GRIP W/NOZZLE HOLDER
15	DE866	SWIVEL 3/8F x 3/8M 90				86	DH050	HOSE 3/8 x 50 3000 PSI 250F
16	HS012	BELT GUARD 3 BELT DRIVE	51	D1082	PLUG 1/2 STEEL, HEX HEAD FLUSH			
17	UU371	UNLOADER 3-5 @ 3500 K7-1	52	D6088	TEE 1/2 BRASS			
18	DE766	SWIVEL 3/8F x 90 STEEL	53	D8088	HOSE BARB 1/2 BRASS	<b>OPTIONAL ACCESSORIES</b>		
19	D8068	HOSE BARB 1/2H x 3/8 BRASS	54	D8128	HOSE BARB 3/4H x 1/2P BRASS	87	WT040	TANK, FLOAT 4 GAL HD LINEAR (NO HOLES)
20	VS030	PRESSURE SWITCH 4000 PA/PR16]	55	D008F	GARDEN HA 1/2 NPT FEM	88	VVF08	FLOAT VALVE 3/8 BRASS
21	DE566	SWIVEL 3/8 STEEL	56	WT07R	FUEL TANK 8 GAL GAS RED	89	D5566	STREET ELL 3/8 BRASS
			57	WT081	FUEL CAP; GASOLINE	90	D7520	PANEL FITTING 3/4 BRASS
22	D7061	HEX NUT 3/8 BRASS-REMOTE UNLOADER	58	DFF04	FUEL TANK BUSHING 1/4	91	FW701	FLOAT TANK WASHER 1.75od 14 GA STAINLESS
23	DC568	STREET ELL 3/8 STEEL	59	DF599	FUEL TANK ADAPTER w/PLASTIC TU	92	D006M	GARDEN H A 3/8 NPT MALE
24	DH026	HOSE 3/8 x 26.50 4000PSI	60	WT075	FUEL TANK 7.5 GAL DIESEL CLEAR	93	D0021	SCREEN WASHER GARDEN H A
25	DH032	HOSE 3/8 x 30in 4000psi NO WHIP				94	DFF10	WATER TANK BUSHING 5/8
26	B0029	COIL CAP (FLAT END) NO HOLE	61	WT080	FUEL CAP, DIESEL	95	DQF10	DISCONNECT BARB/TANK FITTING
27	BN053	8' SECTION OF INSUL BLKT CUT x (5) 17.5 DIA	62	DFE04	FUEL TANK ELL 1/4"	96	WT046	FLOAT TANK ASM W/VALVE/FILTER
28	BN125	INSUL DISC RETAINER 17.5 DIA.	63	HSS03	SS PROLINE PANEL NO RADIUS	97	HSS20	FLOAT TANK SPACER (SS ULT LINE)
29	B0089	COIL WRAP (FLAT END COIL) TOP	64	ECH50	THERMOSTAT, 60-250 1 GP PART=25-250 qty	98	VVC10	CHEMICAL MET VALVE MV-100 MOD
30	BC480	COIL, 4PK SCH 80	65	GLL10	LABEL GASOLINE ONLY			
			66	GLL20	LABEL DIESEL FUEL ONLY			
31	B0088	COIL WRAP (FLAT END COIL) BOTTOM	67	GLL30	MAINTENANCE LABEL 4 x 4 SC,SS,SM			
32	BN126	INSUL DISC RETAINER 17.5 DIA W/HOLE	68	ECH70	KNOB; BLUE .25id x 1.5od			
33	B0017	END CAP DUAL PASS 18in BURNER	69	HLB09	GROMET NOZLE HOLDER			
34	BC850	BURNER NIPPLE, 1/2" x 5" SCH 80	70	NQ453	NOZZLE / QDC 045 x 25			
35	BC225	COIL ASM 4PK (FLAT END COIL)						