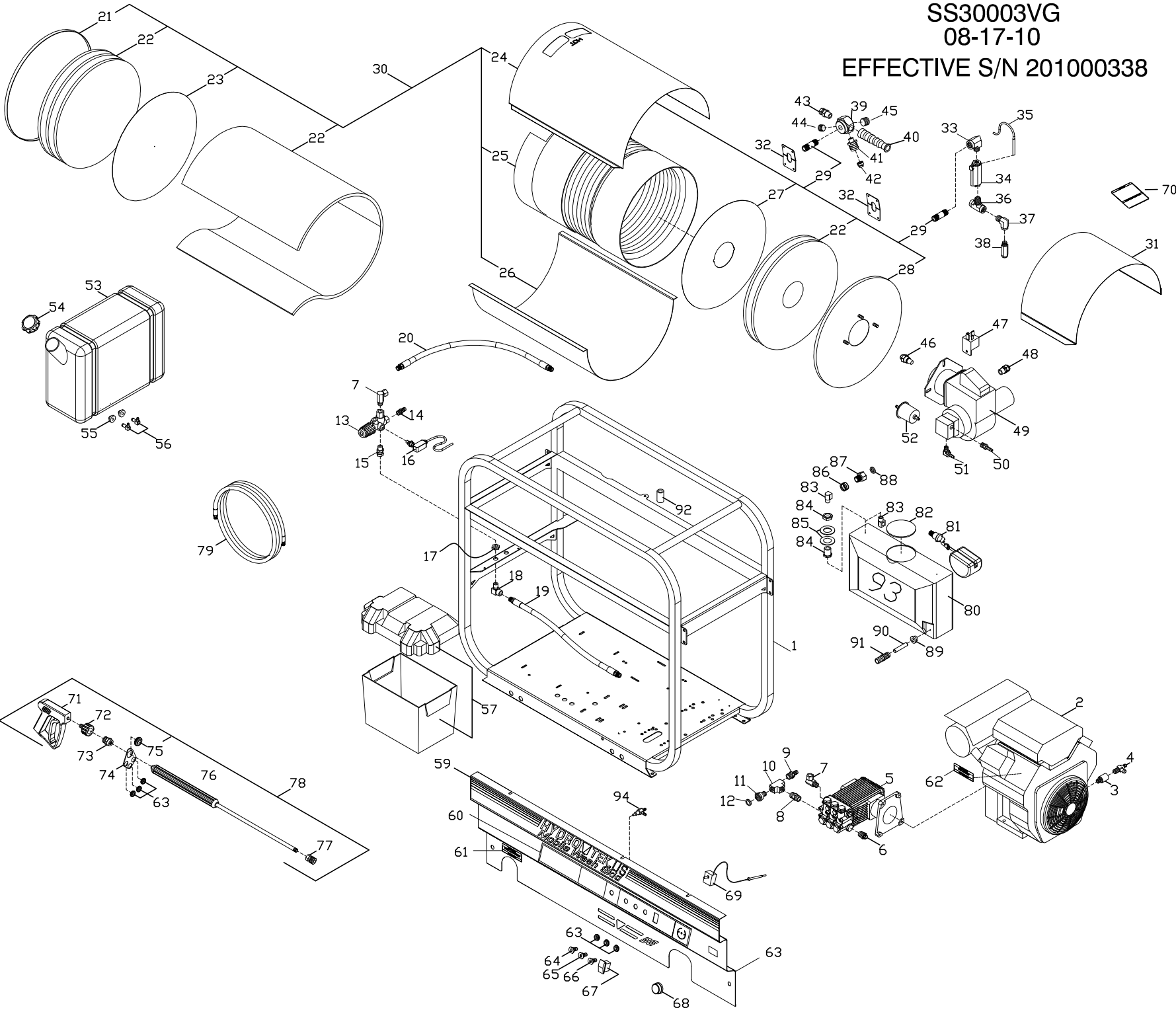


SS SERIES DIRECT DRIVE

SS30003VG

08-17-10

EFFECTIVE S/N 201000338



SS30003VG PARTS LIST (DIRECT DRIVE)

S/N201000338

8/17/2010

1	HSS00	FRAME STACKABLE B/D SS ASSEM		49	BU013	BURNER; BECKET 12V W/SUPPORT
2	MS090	ENGINE 9HP VANGUARD P/S		50	D8044	BARB; HOSE 1/4 BRASS* .312 t
3	MKD09	OIL DRAIN ADAPTER 1/4 NPTM x 3/8 NPTF MACHINED		51	D8040	HOSE BARB 1/4 90 ELBOW
4	MS006	OIL DRAIN VALVE 3/8		52	BF015	FUEL FILTER; INLINE
5	PG330	PUMP, 3 @ 3000 1" DD		53	WT075	FUEL TANK 7.5 DIESEL CLEAR*
6	UPT46	THERM DUMP VALVE 145F 1/2MPT		54	WT080	FUEL CAP; DIESEL
7	DE866	SWIVEL 3/8F x 3/8M 90		55	DFF04	FUEL TANK BUSHING 1/4
8	D2088	NIPPLE 1/2 BRASS		56	DFE04	FUEL TANK ELL 1/4
9	D8088	HOSE BARB 1/2 BRASS		57	HB100	BATTERY BOX ATTWOOD G24 (LARGE)
10	D6088	TEE 1/2 BRASS		58	HSS12	SS CONTROL PANEL
11	D008M	GARDEN HA 1/2 NPT MALE		59	GLL79	LABEL HYDRO TEK 47.375 x 3
12	D0021	SCREEN WASHER GARDEN H A		60	GLL23	LABEL SS PRO BURNER CNTL 24.75
13	UU260	UNLOADER; 3600 8GPM ST260		61	GLL20	LABEL DIESEL FUEL ONLY
14	D8084	HOSE BARB 1/2H x 1/4 BRASS		62	GLL10	LABEL GASOLINE ONLY
15	DE566	SWIVEL 3/8 STEEL		63	HLB09	GROMET NOZZLE HOLDER***
16	VS030	PRESSURE SWITCH 4000 1/4" PR16		64	NQ352	NOZZLE / QDC 035 x 15
17	D7061	HEX NUT 3/8 BRASS REMOTE UNLOA		65	NQ354	NOZZLE / QDC 035 x 40
18	DC568	STREET ELL 3/8 STEEL		66	NQ303	NOZZLE / QDC 03 x 25
19	DH026	HOSE 3/8 x 26.5 4000psi		67	EC405	ROCKER SWITCH CLR 12V 20A DPST
20	DH032	HOSE 3/8 x 30" 4000psi NO WIP		68	ECH70	KNOB; BLUE .25 x 1.50od
21	B0029	COIL CAP (FLAT END COIL) NO HOLE		69	ECH50	THERMOSTAT; 60-260 1 GP PART=25
22	BN053	INSUL BLKT 50sq' 1/2 x 24 8# 25'		70	GLL30	MAINTENANCE LABEL 4 x 4
23	BN125	INSUL DISC RETAINER 17.5DIA		71	VG200	TRIGGER GUN, INSULATED 4000psi
24	B0089	COIL WRAP (FLAT END COIL) TOP		72	DQ74T	M22 TWIST COUPLER 1/4" MALE
25	BC480	COIL, 4PK SCH 80		73	DQ74F	TWIST COUPLER 1/4" PLUG FEM-sut
26	B0088	COIL WRAP (FLAT END COIL) BOTTOM		74	HNZ05	NOZZLE HOLDER (FOR WAND)
27	BN126	INSUL DISC RETAINER 17.5 DIA. W/HOLE		75	HLB30	GROMET; WAND 1"
28	B0017	END CAP (FLAT END COIL) 18in BURNER		76	VW045	WAND 1/4 x 48in MOLDED GRIP
29	BC850	BURNER NIPPLE; 1/2 x 5 SCH80		77	DQ04S	COUPLER 1/4 SOCK FEM
30	BC225	COIL ASM 4PK (FLAT END COIL)		78	AVGH3	WAND ASSEM 48" MOLDED GRIP W/NOZZLE HOLDER
31	HHP15	BURNER RAINGUARD-HP-2004		79	DH050	HOSE 3/8 x 50' 3000 PSI 250F
32	B2324	COIL NIPPLE RETAINER 1/2in			ABMAG	OPERATION PACKET GENERAL PRO
33	DE586	STREET ELL 1/2F x 3/8M STEEL			OPTIONAL	
34	VS005	FLOW SWITCH 8 @ 4200 ST5		80	WT040	TANK, FLOAT 4 GAL HD LINEAR (NO HOLES) 80
35	VS003	REED SWITCH		81	VVF08	FLOAT VALVE 3/8 BRASS
36	DEB66	BRANCH TEE 3/8 STEEL		82	HH400	FLOAT TANK COVER HINGED
37	DC568	STREET ELL 3/8 STEEL		83	D5566	STREET ELL 3/8 BRASS
38	UP137	PRESSURE RELIEF 3700 PSI BLACK		84	D7520	PANEL FITTING 3/4 BRASS
39	HHA01	HEX MANI OUTLET 1/2 x 1/2 REEL		85	FW701	FLOAT TANK WASHER 1.75od 14GA SS
40	ECH75	HEAVY DUTY BEND RESTRICTOR -B		86	D0010	SPRING GARDEN H A
41	UPB05	ADAPTER FITING-BURST DISC***		87	D006M	GARDEN H A 3/8 NPT MALE
42	UPB80	BURST DISC 8000psi TORQUE 32-4		88	D0021	SCREEN WASHER GARDEN H A
43	DE568	SWIVEL 3/8F x 1/2M STEEL		89	DFF10	WATER TANK BUSHING
44	D1061	PLUG 3/8 STEEL HEX HEAD FLUSH		90	VF050	STRAINER TUBE FOR FLOAT TANK
45	D1082	PLUG 1/2 STEEL HEX HEAD FLUSH		91	D1010	SPLICER 5/8 BRASS
46	BZ176	FUEL NOZZLE 1.75 80A		92	HSS20	FLOAT TANK SPACER (SS SERIES)
47	ECC05	RELAY; BURNER 12V 70 AMP		93	WT046	FLOAT TANK ASM w/VALVE / FILTER
48	EWC08	STRAIN RELIEF 1/2 HEYCO (3/8)		94	VVC10	CHEMICAL MET VALVE MV-100