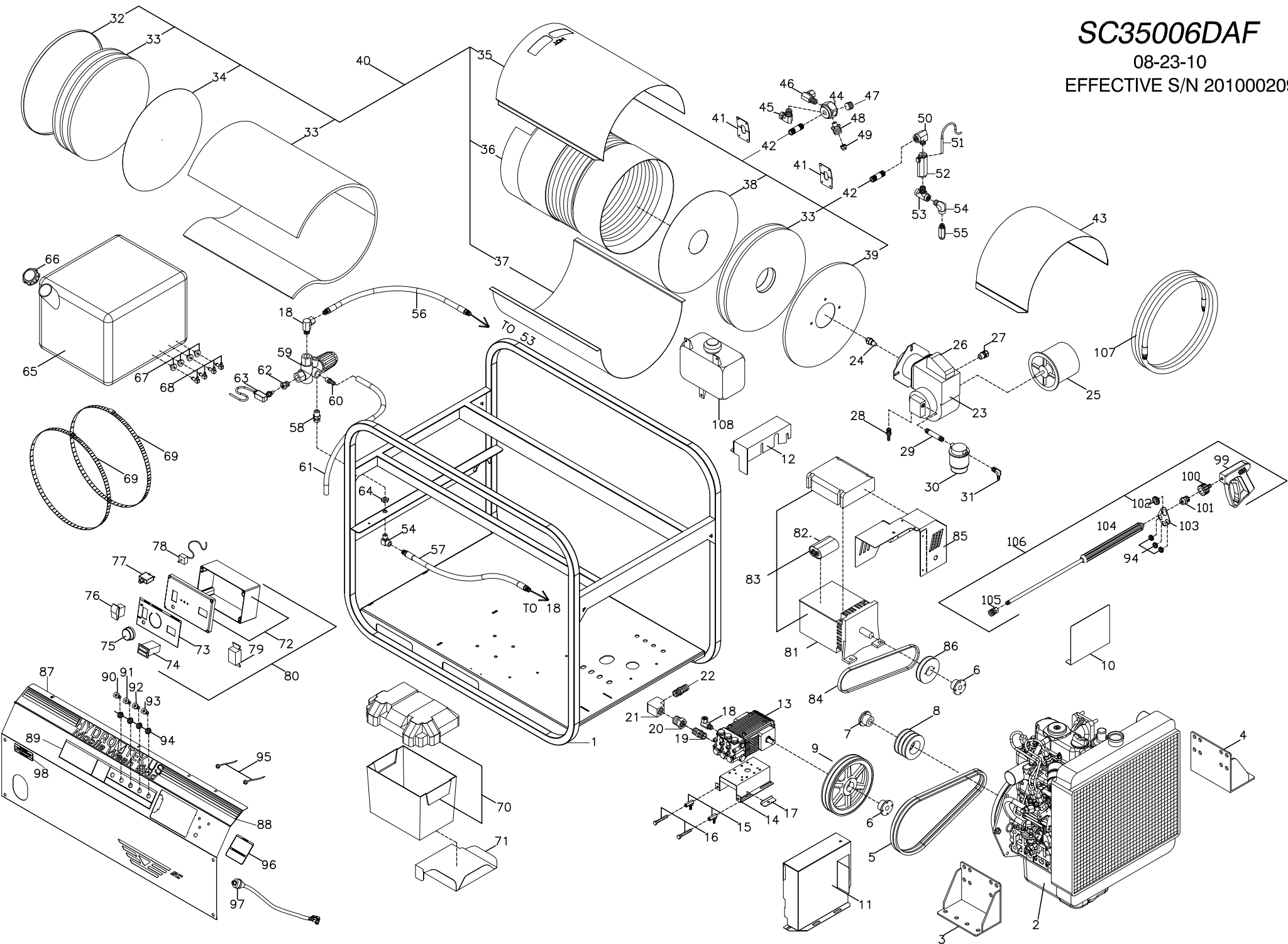


# SC35006DAF

08-23-10

EFFECTIVE S/N 201000209



**SC35006DAF PARTS LIST**

**S/N201000209**

**23-Aug-10**

1	HSC63	SC FRAME DIESEL POWDER COATED	40	BC225	COIL ASM 4PK (FLAT END COIL) 5/01	78	ECH55	THERMOSTAT; 60-190F***
2	MU168	ENGINE DIESEL 16.8 HP KUBOTA				79	EP154	GFCI DUPLEX RECEPTACLE 20 AMP
3	HS228	ZINC PLATED ENGINE MOUNT LEFT 16.8 HP KUBOTA	41	B2324	COIL NIPPLE RETAINER 1/2in	80	HS027	CONTROL BOX SC3600/4000VAF
4	HSS29	ZINC PLATED ENGINE MOUNT RIGHT 16.8 HP KUBOTA	42	BC850	BURNER NIPPLE 1/2" x 5' SCH 80			
5	KSB4X	BELT BX40	43	HHP15	BURNER RAIN GUARD HP- 2004	81	MB020	GENERATOR 2500w LSA321L10
6	KSH19	BUSHING H24MM	44	HHA01	HEX MANI OUTLET 1/2" x 1/2" REEL	82	MB025	CAPACITOR, GENERATOR 15MFD
7	KSP18	BUSHING P1 x 1 1/8"	45	DE866	SWIVEL 3/8FS x 3/8M 90 STEEL	83	MB051	SC DIESEL GENERATOR AND GUARD ASSEMBLY
8	KV038	SHEAVE 3TB38	46	DE869	SWIVEL 3/8FS x 1/2M 90 STEEL	84	KSA28	BELT 5L280
9	KU100	SHEAVE 2BK100H	47	D1082	PLUG 1/2 STEEL HEX HEAD FLUSH	85	HS044	GENERATOR BELT GUARD
10	MU222	PULLEY GUARD 16.8 HP KUBOTA	48	UPB05	ADAPTER FITTING-BURST DISC	86	KT040	SHEAVE BK40H
			49	UPB80	BURST DISC 8000psi TORQUE 32-4	87	HSC24	CONTROL PANEL SC-DIESEL KEY
11	HSC73	BELT GUARD SC DIESEL	50	DE586	STREET ELL 1/2"F x 3/8"M STEEL			SWITCH/CHOKE/LIGHT HOLES
12	MU235	FLYWHEEL GUARD 17HP KUBOTA				88	GLL79	LABEL HYDRO TEK 47.375 x 3" MOBILE WASH SKID
13	PG563	PUMP 5.6/3500 NICKEL PLATED	51	VS003	REED SWITCH	89	GLL54	LABEL; SC VARIABLE FLOW INSTRUCTION
14	HPR07	PUMP MOUNT RAIL GENERAL / AR-12 GA	52	VS005	FLOW SWITCH 8 @ 4200 ST5	90	NQ502	NOZZEL/QDC 05 x 15*
15	HPR60	PUMP RAIL BOLT	53	DEB66	BRANCH TEE 3/8 STEEL			
16	FB641	BOLT 3/8" x 2 1/2" PLD ALLTHREAD	54	DC568	STREET ELL 3/8" STEEL	91	NQ402	NOZZEL/QDC 04 x 15*
17	HRR07	SUPPORT BRKT- PUMP RAIL	55	UP045	PRESSURE RELIEF 4500psi	92	NQ552	NOZZLE/QDC 055 x 15*
18	DE866	SWIVEL 3/8"F x 3/8"M 90	56	DH034	HOSE 3/8" x 34" 4000psi NO WIP	93	NQ272	NOZZLE/QDC 027 x 15*
19	D2088	NIPPLE 1/2 BRASS	57	DH026	HOSE 3/8" x 26.5" 4000psi NO WIP	94	HLB09	GROMMET NOZZLE HOLDER
20	D1128	BUSHING 3/4 x 1/2 BRASS	58	DE566	SWIVEL 3/8" STEEL	95	MU262	INDICATOR LAMP: KUBOTA
			59	UU323	UNLOADER 4350 PSI 8 GPM	96	GLL30	MAINTENANCE LABEL 4 x 4 SC,SS
21	D7512	ELL 3/4 BRASS	60	D8068	HOSE BARB 1/2"H x 3/8"P BRASS	97	ESC17	KEY SWITCH HARNESS KUBOTA 17 HP
22	D8169	HOSE BARB 1 in.H x 3/4P BRASS				98	GLL20	LABEL DIESEL FUEL ONLY
23	BU600	BURNER; BECKETT SM 110V	61	DHC80	HOSE; 1/2" LO PRESS BLACK	99	VG200	TRIGGER GUN INSULATED 4000psi
24	BZ325	FUEL NOZZLE 3.25 90B	62	DA064	BUSHING 3/8 x 1/4 STEEL	100	DQ74T	M22 TWIST COUPLE 1/4 MALE
25	BM513	BURNER MOTOR, BECKETT SM 110V	63	VS030	PRESURE SWITCH 4000 1/4" PR16			
26	BMT23	IGNITION TRANSFORMER, BECKETT 110VAC SM	64	D7061	HEX NUT 3/8" BRASS-REMOTE UNLOADER	101	DQ74F	TWIST COUPLER 1/4 PLUG FEM
27	EWCO8	STRAIN RELIEF 1/2" HEYCO	65	WT078	FUEL TANK 18 GA DIESEL CLEAR*	102	HLB30	GROMMET; WAND / IN
28	D8044	BARB; HOSE; 1/4" BRASS .312t	66	WT080	FUEL CAP; DIESEL	103	HNZ05	NOZZLE HOLDER (FOR WAND)
29	D2043	NIPPLE PIPE, BRASS 1/4 x 2.5"	67	DFF04	FUEL TANK BUSHING 1/4"	104	VW045	WAND 1/4" x 48" MOLDED GRIP
30	BF020	FUEL FILTER RACOR HYDRO TEK	68	DFE04	FUEL TANK ELL 1/4"	105	DQ04S	COUPLER 1/4" SOCK FEM
			69	FC084	WORMGEAR CLAMP 2 1/2 x 20	106	AVGH3	WAND 48" w/GUN & NOZZLE HOLDER
31	D8040	HOSE BARB 1/4" 90 ELBOW	70	HB100	BATTERY BOX ATTWOOD G24 (LARGE)	107	DH057	HOSE 3/8 x 50' 4000 PSI BLK/RED
32	B0029	COIL CAP (FLAT END COIL) NO HOLE				108	MU155	COOLANT RECOVERY TANK
33	BN053	8' SECTION OF INSUL BLKT(BN053) CUT x (5) 17.5 DIA	71	HB026	SC DIESEL BATTERY BOX TRAY			
34	BN125	INSULATION DISC RETAINER 17.5 DIA	72	HSC51	LASER CUT SC BOX ASM			<b>NOT SHOWN</b>
35	B0089	COIL WRAP (FLAT END COIL) TOP	73	GLL57	LABEL; SC/SS PANEL CONTROL BOX**		ABMAG	OPERATION PACKET GENERAL PRO
36	BC480	COIL 4PK SCH 80	74	EM601	HOUR METER 110V		PHK64	VALVE KIT FOR PH407 AR PUMP (1) REQUIRED
37	B0088	COIL WRAP (FLAT END COIL) BOTTOM	75	ECH70	KNOB; BLUE .25 x 1.5 O.D		PHK58	SEAL KIT FOR PH407 AR PUMP (1) REQUIRED
38	BN126	INSUL DISC RETAINER 17.5 DIA W/HOLE	76	EC410	ROCKER SWITCH 110V RED SPST		PHK61	OIL SEAL KIT FOR PH407 AR PUMP (1) REQUIRED
39	B0017	END CAP (FLAT END COIL) 18IN BURNER	77	ECF10	CIRCUIT BREAKER 15 AMP*		PHK69	PLUNGER FOR PH407 AR PUMP (1) REQUIRED