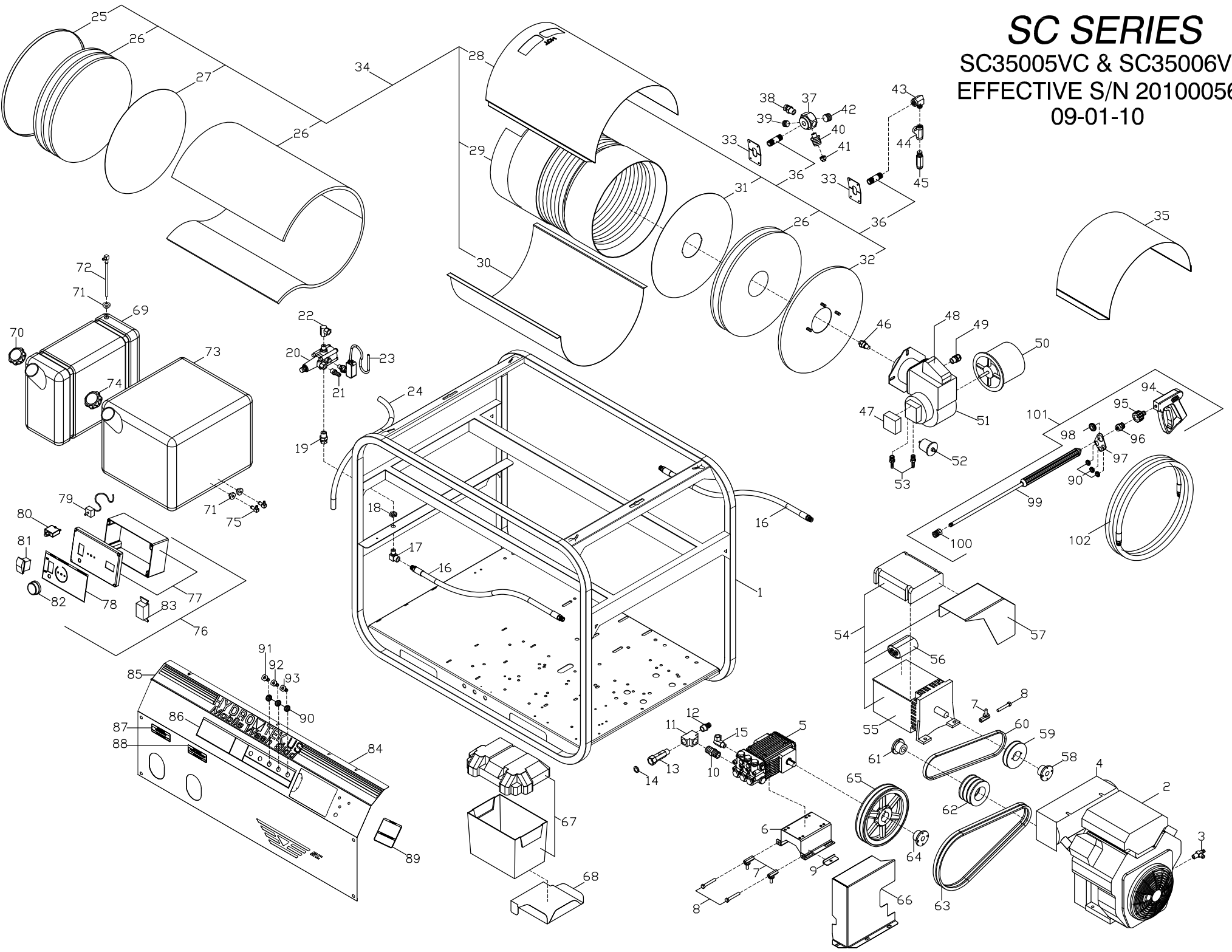


SC SERIES

SC35005VC & SC35006VG
EFFECTIVE S/N 201000560
09-01-10



SC35005VC & SC35006VG PARTS LIST S/N201000560

1-Sep-10

1	HSC00	SC FRAME, P COATED PRO TEC	36	BC850	BURNER NIPPLE, 1/2 x 5 SCH80	71	DF04	FUEL TANK BUSHING 1/4
2	MS180	ENGINE GAS 18HP VANGUARD E/S (SC35005VC)	37	HHA01	HEX MANIFOLD OUTLET REEL	72	DF599	FUEL TANK ADAPTER W/PLASTIC TUBE
	MS210	ENGINE GAS 21HP VANGUARD E/S (SC35006VG)	38	DE568	SWIVEL 3/8F X 1/2M STEEL	73	WT078	FUEL TANK 18 DIESEL CLEAR
3	MS006	OIL DRAIN VALVE 3/8	39	D1061	PLUG 3/8 FLUSH HEAD HEX STEEL	74	WT080	FUEL CAP, DIESEL
4	HS021	VANGUARD MUFF/BURNER HEAT SHIELD (SC35005VC)				75	DFE04	FUEL TANK ELL 1/4
	HS074	KOHLER MUFF/BURNER HEAT SHIELD (SC35006VG)	40	UPB05	ADAPTER FITTING-BURST DISC	76	HS058	CONTROL BOX SC35006VG 250 DEG
5	P4535	PUMP 5CP3120 4.5 @ 3500 20mm (SC35005VC)	41	UPB80	BURST DISC 8000psi	77	HSC51	LASER CUT SC BOX ASM/TOP AND BOTTOM
	PG563	PUMP 5.6/3500 NICKEL PLATED (SC35006VG)	42	D1082	PLUG 1/2 STEEL HEX HEAD FLUSH	78	GLL57	LABEL,SC/SS PANEL CONTOL BOX
6	HPR07	PUMP MOUNTING RAIL STAINLESS (SC35006VG)	43	DE586	STREET ELL 1/2F X 3/8M STEEL	79	ECH50	THERMOSTAT,60-250F 70" CAP
	HPR01	ANGLE RAIL PR,SC PUMP (SC35005VC)	44	DE066	TEE 3/8" STEEL			
7	HPR60	PUMP RAIL BOLT	45	UP045	PRESSURE RELIEF 4500+15% red	80	ECF10	CIRCUIT BREAKER 15 AMP
8	FB641	BOLT 3/8 X 2 1/2 PLD ALLTHREAD	46	BZ276	FUEL NOZZLE 2.75 90B (SC35005VC)	81	EC410	ROCKER SWITCH 110V RED SPST
9	HRR07	REINFORCEMENT BRACKET-PUMP RAIL (SC35006VG)		BZ300	FUEL NOZZLE 3.00 90B (SC35006VG)	82	ECH70	KNOB, BLUE .25 X 1.50D
			47	BPA13	FUEL PUMP, BECKETT SM/BU600	83	EP154	GFCI DUPLEX RECEPTACLE 20 AMP
10	D2088	NIPPLE 1/2 BRASS	48	BMT23	IGN TRANS, BECKETT 110VAC SM	84	HSC39	CONTROL PANEL SC
11	D6088	TEE 1/2 BRASS	49	EWC08	STRAIN RELIEF 1/2 HEYCO (3/8)	85	GLL79	LABEL HYDRO TEK 47.375 x 3
12	D8088	HOSE BARB 1/2 BRASS				86	GLL54	LABEL, SC VARIABLE FLOW INSTRUCTIONS
13	D009M	GARDEN H A 3in LONG 1/2 NPT	50	BM513	BURNER MOTOR, BECKETT SM 110V	87	GLL10	LABEL GASOLINE ONLY
14	D0021	SCREEN WASHER GARDEN H A	51	BU600	BURNER; BECKETT SM 110V	88	GLL20	LABEL DIESEL FUEL ONLY
15	DE866	SWIVEL 3/8F X 3/8M 90	52	BF015	FUEL FILTER; INLINE	89	GLL30	MAINTENANCE LABEL 4x4 SC,SS,SM
16	DH034	HOSE 3/8 x 34IN 4000psi NO WIP	53	D8044	BARB; HOSE 1/4 BRASS			
17	DC568	STREET ELL 3/8	54	MB050	SC GENERATOR & GUARD ASSEMBLY	90	HLB09	GROMET NOZZLE HOLDER
18	D7061	HEX NUT 3/8 BRASS-REMOTE UNLOADER	55	MB020	GENERATOR 2500w LSA321L10	91	NQ403	NOZZLE/QDC 04 x 25 (SC35005VC)
19	DE566	SWIVEL 3/8 STEEL	56	MB025	CAPACITOR, MB020 GENERATOR		NQ453	NOZZLE/QDC 045 x 25 (SC35006VG)
			57	HS033	SC GEN BELT GUARD	92	NQ452	NOZZLE/QDC 045 x 15 (SC35005VC)
20	UU370	UNLOADER 2-4 @ 3200 KZ-0 (SC35005VC)	58	KSH19	BUSHING H24MM		NQ552	NOZZLE/QDC 055 x 15 (SC35006VG)
	UU371	UNLOADER 3-5 @ 3000 K7-1 (SC35006VG)	59	KT040	SHEAVE BK40H (SC35006VG)	93	NQ454	NOZZLE/QDC 045 x 40 (SC35005VC)
21	D8068	HOSE BARB 1/2H X 3/8 BRASS		KT036	SHEAVE BK36H (SC35005VC)		NQ554	NOZZLE/QDC 055 x 40 (SC35006VG)
22	DE766	SWIVEL 3/8F X 3/8F 90 STEEL	60	KSA30	BELT 5L230	94	VG200	GUN VALVE 12 @ 4000 ST1500
23	VS030	PRESSURE SWITCH 4000 PA/PR16]	61	KSP16	BUSHING P1 X 1	95	DQ74T	M22 TWIST COUPLER 1/4" MALE
24	DHC80	HOSE, 1/2 LO PRESS BLACK	62	KV038	SHEAVE 3TB38	96	DQ74F	TWIST COUPLER 1/4" PLUG FEM-SUT
25	B0029	COIL CAP (FLAT END COIL) NO HOLE	63	KSB36	BELT BX36 (SC35005VC)	97	HNZ05	NOZZLE HOLDER (FOR WAND)
26	BN053	8' SECTION OF INSUL BLKT(BN053) CUT x (5) 17.5 DIA		KSB4X	BELT BX40 (SC35006VG)	98	HLB30	GROMET; WAND 1"
27	BN125	INSULATION DISC RETAINER 17.5DIA	64	KSH17	BUSHING H20MM (SC35005VC)	99	VW045	WAND 1/4 x 48in MOLDED GRIP
28	B0089	COIL WRAP (FALT END COIL) TOP		KSH19	BUSHING H24MM (SC35006VG)			
29	BC480	COIL, 4PK SCH 80 18"	65	KU100	SHEAVE 2BK100H (SC35006VG)	100	DQ04S	COUPLER 1/4 SOCK FEM
				KU080	SHEAVE 2BK 80H (SC35005 VC)	101	AVGH3	WAND ASSEM 48" MOLDED GRIP- - - W/NOZZLE HOLDER
30	B0088	COIL WRAP (FLAT END COIL) BOTTOM	66	HS036	SC PUMP BELT GUARD 16HP VAN			
31	BN126	INSUL DISC RETAINER 17.5DIA W/HOLE	67	HB100	BATTERY BOX ATTWOOD G24 (LARGE)	102	DH057	HOSE 3/8 x 50' 4000psi BLK/RED
32	B0017	END CAP (FLAT END COIL) 18IN BU W/HOLE	68	HB025	LARGE BATTERY BOX TRAY 12-03 NEW	NOT SHOWN		
33	B2324	COIL NIPPLE RETAINER 1/2in	69	WT07R	FUEL TANK 7.5 GAS RED		PGK01	VALVE KIT ; (6) GP K01 (SC35006VG)
34	BC225	COIL ASM 4PK (FLAT END COIL)					K69	KIT 69; PACKING REPLACEMENT (SC35006VG)
35	HHP15	BURNER RAIN GUARD-HP-2004	70	WT081	FUEL CAP, GASOLINE		ABMAG	OPERATION PACKET GENERAL PRO