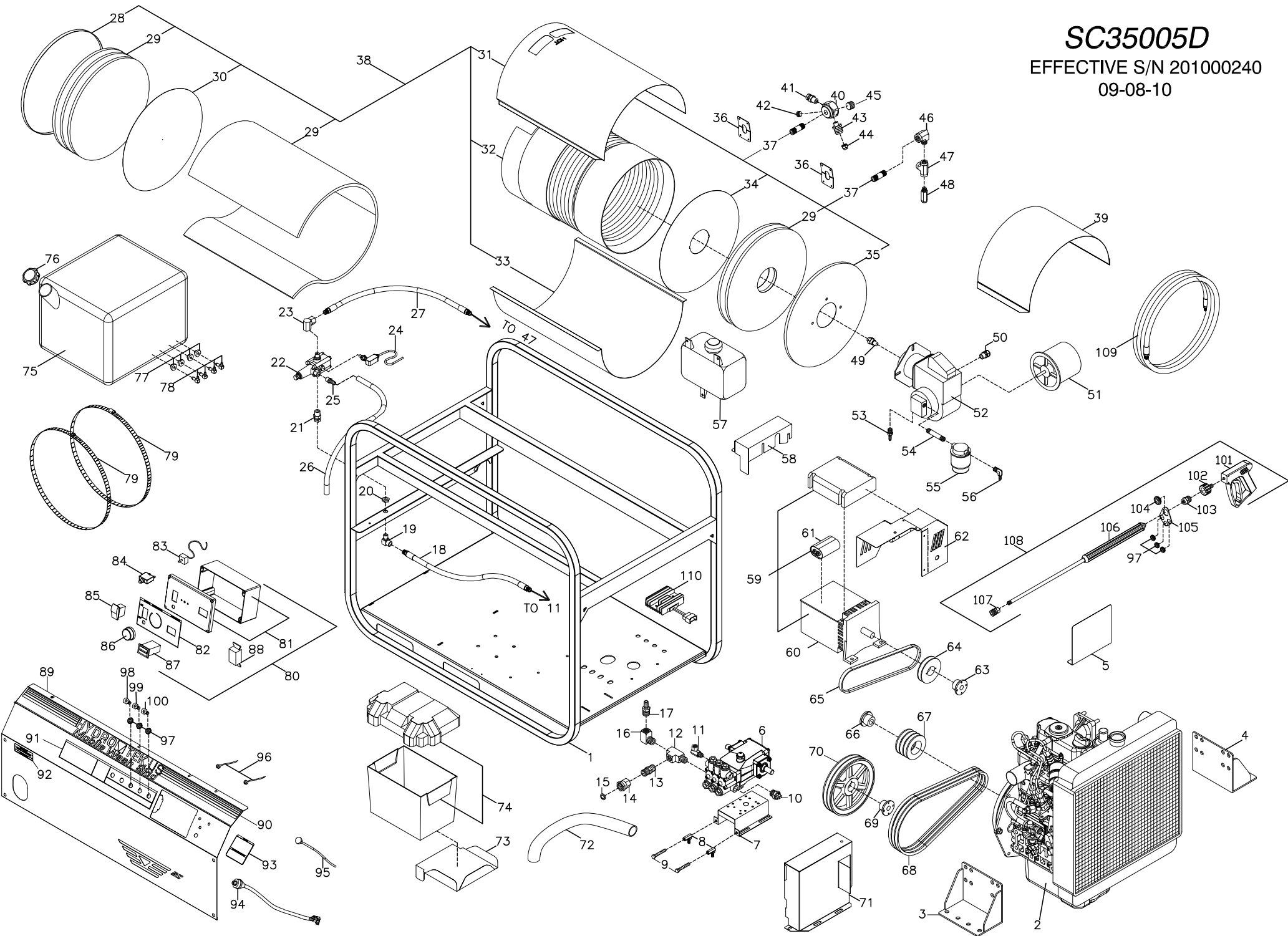


# SC35005D

EFFECTIVE S/N 201000240

09-08-10



# SC35005D PARTS LIST

S/N201000240

8-Sep-10

1	HSC63	SC FRAME S.S DIESEL PRO TEC 2008 MODELS	41	DE568	SWIVEL 3/8" F x 1/2" M STEEL	81	HSS51	LASER CUT BOX ASM
2	MU210	ENGINE DIESEL 13.3 HP KUBOTA	42	D1061	PLUG 3/8" FLUSH HEAD HEX SOCKET	82	GLL57	LABEL; SC/SS PANEL CONTROL BOX**
3	HS226	ZINC PLATED ENGINE MOUNT LH 13HP KU	43	UPB05	ADAPTER FITTING-BURST DISC	83	ECH50	THERMOSTAT; 60-250F 70" cap
4	HS225	ZINC PLATED ENGINE MOUNT RH 13HP KU	44	UPB80	BURST DISC 8000psi TORQUE 32-4	84	ECF10	CIRCUIT BREAKER 15 AMP
5	MU214	PULLEY GUARD 12.5 HP KUBOTA SC30006D12	45	D1082	PLUG, 1/2 STEEL HEX HEAD FLUSH	85	EC410	ROCKER SWITCH 110V RET SPST
6	P4535	PUMP 5CP3120 @ 3500 20mm	46	DE586	STREET ELL 1/2" F x 3/8" M STEEL	86	ECH70	KNOB; BLUE .25 x 1.5 O.D
7	HHD03	HD PUMP SUPPORT RAIL	47	DE066	TEE 3/8" STEEL	87	EM601	HOUR METER 110V
8	HPR60	PUMP RAIL BOLT	48	UP045	PRESSURE RELIEF 4500 = 15% 500q	88	EP154	GFCI DUPLEX RECEPTACLE 20 AMP
9	FB641	BOLT 3/8" x 2 1/2" PLD ALLTHREAD	49	BZ300	FUEL NOZZLE 3.00 90B	89	HSC24	CONTROL PANEL SC30006D12, SC30005DH
10	UPT46	THERM DUMP VALVE 145f 1/2" MPT	50	EWC08	STRAIN RELIEF 1/2" HEYCO	90	GLL79	LABEL HYDROTEK 47.3 x 3
11	DE866	SWIVEL 3/8" F x 3/8" M 90	51	BM513	BURNER MOTOR, BECKETT SM 110V	91	GLL54	LABEL SC VARIABLE FLOW
12	D6588	STREET TEE 1/2 BRASS	52	BU600	BURNER BECKETT SM 110V	92	GLL20	LABEL DIESEL FUEL ONLY
13	D2088	NIPPLE 1/2" BRASS	53	D8044	BARB; HOSE; 1/4" BRASS .312t	93	GLL30	MAINTENANCE LABEL 4 x 4 SC, SS
14	D008F	GARDEN HA 1/2 NPT FEM	54	D2043	NIPPLE 1/4" x 2.5" BRASS	94	ESC24	KEY SWITCH HARNESS KUBOTA 13.3 HP
15	D0021	SCREEN WASHER GARDEN	55	BF020	FUEL FILTER RACOR HYDRO TEK	95	HL216	CHOKE CABLE 6'
16	D5588	ELBOW; STREET; 1/2" BRASS	56	D8040	HOSE BARB 1/4" 90 ELBOW	96	MU262	INDICATOR LAMP: KOBOTA
17	D8088	HOSE BARB 1/2" BRASS	57	MU155	COOLANT RECOVERY TANK	97	HLB09	GROMET NOZZLE HOLDER
18	DH026	HOSE 3/8 x 26.5 4000 psi	58	MU235	FLY WHEEL GUARD 17HP KUBOTA	98	NQ502	NOZZLE/QDC 05 x 15
19	DC568	STREET ELL 3/8" STEEL	59	MB051	GENERATOR ASSEMBLY	99	NQ504	NOZZLE/QDC 05 x 40
20	D7061	HEX NUT 3/8" BRASS-REMOTE UNLOADER	60	MB020	GENERATOR, 2900w LSA321L10	100	NQ453	NOZZLE/QDC 045 x 25
21	DE566	SWIVEL 3/8" STEEL	61	MB025	CAPACITOR GENERATOR 15 MED	101	VG200	TRIGGER GUN INSULATED 4000psi
22	UU371	UNLOADER 3-5 @ 3500 K7-1	62	HS044	GEN BELT GUARD SC DIESEL	102	DQ74T	M22 TWIST COUPLER 1/4" MALE
23	DE766	SWIVEL 3/8" F x 90 STEEL (BRAZED)	63	KSH19	BUSHING H24MM	103	DQ74F	TWIST COUPLER 1/4 PLUG FEM
24	VS030	PRESURE SWITCH 4000 1/4" PR16	64	KT036	SHEAVE BK36H	104	HLB30	GROMMET; WAND 1"
25	D8068	HOSE BARB 1/2" H x 3/8" P BRASS	65	KSA10	BELT 5L310	105	HNZ05	NOZZLE HOLDER (FOR WAND)
26	DHC80	HOSE; 1/2" LO PRESS BLACK	66	KSP18	BUSHING P1 x 1 1/8"	106	VW045	WAND 1/4" x 48" MOLDED GRIP
27	DH034	HOSE 3/8" x 34" 5000psi NO WIP	67	KV038	SHEAVE 3TB38	107	DQ04S	COUPLER 1/4" SOCK FEM
28	B0029	COIL CAP (FLAT END COIL) NO HOLE	68	KSB35	BELT B x 35	108	AVGH3	WAND 48" w/GUN & NOZZLE HOLDER
29	BN053	8' SECTION OF INSUL BLKT(BN053) CUT x (5) 17.5 DIA	69	KSH17	BUSHING H20MM	109	DH057	HOSE 3/8" x 50' 4000psi BLK/RED
30	BN125	INSULATION DISC RETAINER 17.5 DIA	70	KU080	SHEAVE 2BK80H	110	MU215	VOLTAGE REGULATOR 13.3HP KUBOTA
31	B0089	COIL WRAP (FLAT END COIL) TOP	71	HSC61	SC PUMP BELT GUARD KOHLER 18HP	<b>NOT SHOWN</b>		
32	BC480	COIL 4PK SCH 80	72	DHR75	RADIATOR HOSE 1 1/4" EXTENDED		ABMAG	OPERATION PACKET HYDRO PRO
33	B0088	COIL WRAP (FLAT END COIL) BOTTOM	73	HB026	LARGE BATTERY BOX TRAY		PHK30	SEAL KIT FOR PH411 AR PUMP
34	BN126	INSUL DISC RETAINER 17.5 DIA W/HOLE	74	HB100	BATTERY BOX ATTWOOD G24 (LARGE)		PHK40	VALVE KIT FOR PH411 AR PUMP
35	B0017	END CAP (FLAT END COIL) 18IN BURNER	75	WT078	FUEL TANK 18 GA DIESEL CLEAR*		PGK01	VALVE KIT FOR PG563- - -
36	B2324	COIL NIPPLE RETAINER 1/2in	76	WT080	FUEL CAP; DIESEL			GENERAL PUMP (1) REQUIRED
37	BC850	BURNER NIPPLE 1/2" x 5' SCH 80	77	DFF04	FUEL TANK BUSHING 1/4"		PGK02	OIL SEAL KIT FOR PG563 - - -
38	BC225	COIL ASM 4PK (FLAT END COIL) 5/01	78	DFE04	FUEL TANK ELL 1/4"			GENERAL PUMP (1) REQUIRED
39	HHP15	BURNER RAIN GUARD HX/SS SERIES 36495	79	FC084	WORMGEAR CLAMP 2 1/2 x 20		PGK21	PLUNGER FOR PG563- - -
40	HHA01	HEX MANI OUTLET 1/2" x 1/2" REEL	80	HS028	CONT BOX SC30005DH / HOUR METER			GENERAL PUMP (3) REQUIRED
							K69	SEAL KIT FOR PG563- - -
								GENERAL PUMP (1) REQUIRED