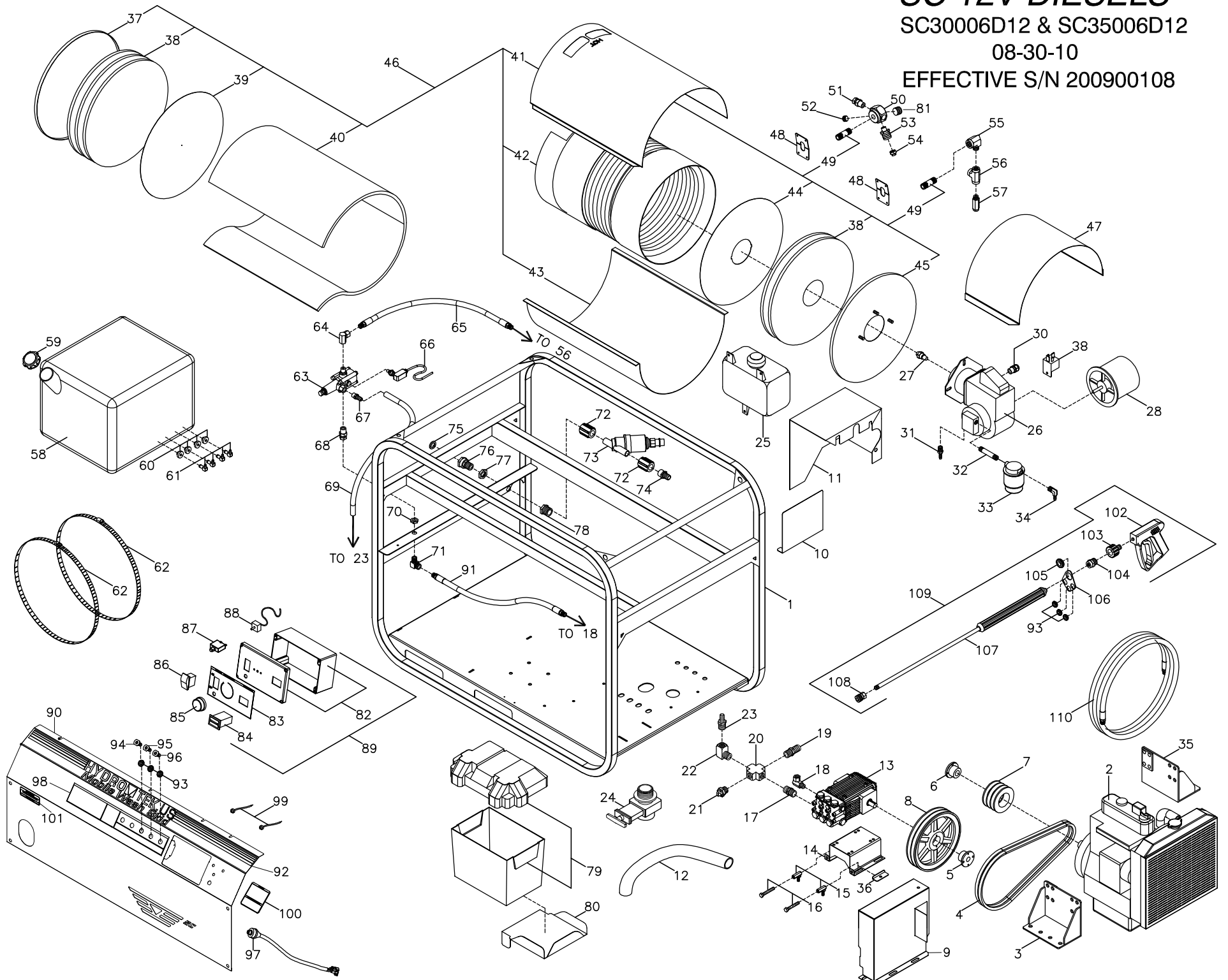


SC 12V DIESELS

SC30006D12 & SC35006D12

08-30-10

EFFECTIVE S/N 200900108



SC30006D12 & SC35006D12 PARTS LIST

S/N200900108

30-Aug-10

1	HSC71	FRAME-SC STAINLESS-OPTION-2008 PROTECT IT (SC30006D12)	40	BN053	INSUL BLKT50SQ 1/2 x 24 8# 25'	80	HB026	LARGE BATTERY BOX TRAY
	HSC63	SC FRAME DIESEL - - -	41	B0089	COIL WRAP (FLAT END COIL) TOP	81	D1082	PLUG, 1/2 STEEL HEX HEAD FLUSH
		- - - P COATED PROTECT IT FRAME-2008 (SC35006D12)	42	BC480	COIL 4PK SCH 80	82	HSS51	LASER CUT BOX ASM
2	MU168	ENGINE, KUBOTA 16.8 HP	43	B0088	COIL WRAP (FLAT END COIL) BOTTOM	83	GLL57	LABEL; SC/SS PANEL CONTROL BOX**
3	HS228	ZINC ENGINE MOUNT LEFT 16 HP NEW FOR Z602 KUBOTA	44	BN126	INSUL DISC RETAINER 17.5 DIA W/HOLE	84	EM305	HOOR METER 12 VOLT DC
4	KSB4X	BELT BX40	45	B0017	END CAP (FLAT END COIL) 18IN BURNER	85	ECH70	KNOB; BLUE .25id x 1.5od
5	KSH19	BUSHING H24MM	46	BC225	COIL ASM 4PK (FLAT END COIL) 5/01	86	EC405	ROCKER SWITCH CLR 12V 20A DPST
6	KSP18	BUSHING P1 x 1 1/8"	47	HHP15	BURNER RAIN GUARD-HP-2004	87	ECF15	CIRCUIT BREAKER 20 AMP8
7	KV038	SHEAVE 3TB38	48	B2324	COIL NIPPLE RETAINER 1/2in	88	ECH55	THERMOSTAT; 60-190F***
8	KU100	SHEAVE 2BK100H	49	BC850	BURNER NIPPLE 1/2" x 5' SCH 80	89	ESC12	ELEC BOX 12V DC
9	HSC61	SC PUMP BELT GUARD KOHLER 18HP						
			50	HHA01	HEX MANI OUTLET 1/2" x 1/2" REEL	90	HSC24	CONTROL PANEL SC30006D12 KEY - - -
10	MU222	PULLEY GUARD 17HP KUBOTA	51	DE568	SWIVEL 3/8"F x 1/2"M STEEL			- - - SWITCH/CHOKE/LIGHT
11	MU212	FLYWHEEL GUARD 12.5 HP KUBOTA	52	D1061	PLUG 3/8" FLUSH HEAD HEX SOCKET	91	DH026	HOSE 3/8 x 26.5 4000psi
12	DHR75	RADIATOR HOSE 1 1/4" EXTENDED	53	UPB05	ADAPTER FITTING-BURST DISC	92	GLL79	LABEL, HYDRO TEK 47.375 x 3
13	PG563	PUMP 5.6 @ 3500 NICKEL PLATED MANIFOLD	54	UPB80	BURST DISC 8000psi TORQUE 32-4	93	HLB09	GROMET NOZZLE HOLDER
14	HPR07	PUMP MOUNTING RAIL-GENERAL/AR 12 GA SS	55	DE586	STREET ELL 1/2"F x 3/8"M STEEL	94	NQ603	NOZZLE/QDC 06 x 25 (SC30006D12)
15	HPR60	PUMP RAIL BOLT	56	DE066	TEE 3/8" STEEL		NQ553	NOZZLE/QDC 055 x 25 (SC35006D12)
16	FB641	BOLT 3/8" x 2 1/2" PLD ALLTHREAD	57	UP137	PRESSURE RELIEF 3700psi black (SC30006D12)	95	NQ602	NOZZLE/QDC 06 x 15 (SC30006D12)
17	D2088	NIPPLE 1/2" BRASS		UP045	PRESSURE RELIEF 4500+15% 500q (SC35006D12)		NQ552	NOZZLE/QDC 055 x 15* (SC35006D12)
18	DE866	SWIVEL 3/8"F x 3/8"M 90	58	WT078	FUEL TANK 18 GA DIESEL CLEAR*	96	NQ604	NOZZLE/QDC 06 x 40 (SC30006D12)
19	D8128	HOSE BARB 3/4"H x 1/2"P BRASS	59	WT080	FUEL CAP; DIESEL		NQ554	NOZZLE/QDC 055 x 40 (SC35006D12)
						97	ESC17	KEY SWITCH HARNESS KUBOTA-17 HP
20	D6788	CROSS 1/2" BRASS-not potted	60	DFF04	FUEL TANK BUSHING 1/4"	98	GLL54	LABEL, SC VARIABLE FLOW INSTRUCTIONS
21	UPT46	THERM DUMP VALVE 145f 1/2"MPT	61	DFE04	FUEL TANK ELL 1/4"	99	MU262	INDICATOR LAMP: KOBOTA
22	D5588	ELBOW; STREET; 1/2" BRASS	62	FC084	WORMGEAR CLAMP 2 1/2 x 20			
23	D8088	HOSE BARB 1/2" BRASS	63	UU371	UNLOADER 3-5 @ 3500 K7-1	100	GLL30	MAINTENANCE LABEL 4 x 4 SC,SS
24	VVB10	GATE VALVE 1 1/2" PVC (SC30006D12)	64	DE766	SWIVEL 3/8"F x 90 STEEL (BRAZED)	101	GLL20	LABEL DIESEL FUEL ONLY
25	MU155	COOLANT RECOVERY TANK	65	DH034	HOSE 3/8" x 34" 5000psi NO WIP	102	VG200	TRIGGER GUN INSULATED 4000psi
26	BU013	BURNER; BECKETT 12V W/ SUPPORTED FLANGE	66	VS030	PRESURE SWITCH 4000 1/4" PR16	103	DQ74T	M22 TWIST COUPLR 1/4" MALE
27	BZ225	FUEL NOZZEL 2.25 80B	67	D8068	HOSE BARB 1/2"H x 3/8"P BRASS	104	DQ74F	TWIST COUPLER 1/4" PLUG FEM-SUT
28	BM514	BURNER MOTOR 12V BECKETT	68	DE566	SWIVEL 3/8" STEEL	105	HLB30	GROMET; WAND 1"
29	ECC05	RELAY; BURNER; 12V 70 AMP	69	DHC80	HOSE; 1/2" LO PRESS BLACK	106	HNZ05	NOZZLE HOLDER (FOR WAND)
						107	VW045	WAND 1/4" x 48" MOLDED GRIP
30	EWC08	STRAIN RELIEF 1/2" HEYCO	70	D7061	HEX NUT 3/8" BRASS-REMOTE UNLOADER	108	DQ04S	COUPLER 1/4" SOCK FEM
31	D8044	BARB; HOSE; 1/4" BRASS .312t	71	DC568	STREET ELL 3/8" STEEL	109	AVGH3	WAND ASSEM 48" MOLDED GRIP W/NOZZLE HOLDER
32	D2043	NIPPLE 1/4" x 2.5" BRASS	72	D3120	COUPLING 3/4" POLY (SC30006D12)			
33	BF020	FUEL FILTER RACOR HYDRO TEK	73	VF125	FILTER 3/4" Y TYPE 80 MICRON/20 (SC30006D12)	110	DH050	HOSE 3/8" x 50' 3000psi 250F BL (SC30006D12)
34	D8040	HOSE BARB 1/4" 90 ELBOW	74	D8120	HOSE BARB 3/4" BRASS* (SC30006D12)		DH057	HOSE 3/8 x 50' 4000psi BLK/RED (SC35006D12)
35	HS229	ZINC ENGINE MOUNT RIGHT 16 HP NEW FOR Z602 KUBOTA	75	D0020	WASHER GARDEN H A (SC30006D12)		ABMAG	OPERATION PACKET HYDRO PRO
36	HRR07	SUPPORT BRKT-PUMP RAIL	76	D008M	GARDEN H A 1/2" NPT MALE (SC30006D12)		PGK02	OIL SEAL KIT FOR PG563 GENERAL PUMP (1) REQUIRED
37	B0029	COIL CAP (FLAT END COIL) NO HOLE	77	D7080	LOCKNUT 1/2" BRASS NPT (SC30006D12)		PGK21	PLUNGER FOR PG563 GENERAL PUMP (3) REQUIRED
38	BN053	8' SECTION OF INSUL BLKT(BN053) CUT x (5) 17.5 DIA	78	D1128	BUSHING 3/4" x 1/2" BRASS (SC30006D12)		K69	SEAL KIT FOR PG563 GENERAL PUMP (1) REQUIRED
39	BN125	INSULATION DISC RETAINER 17.5 DIA	79	HB100	BATTERY BOX ATTWOOD G24 (LARGE)		PGK01	VALVE KIT FOR PG563 GENERAL PUMP (1) REQUIRED