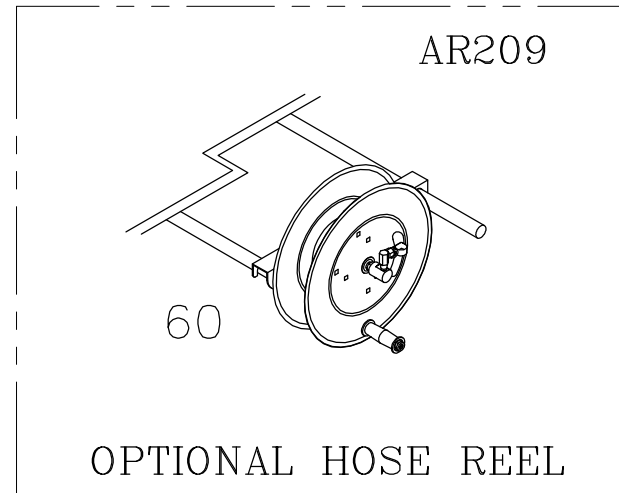
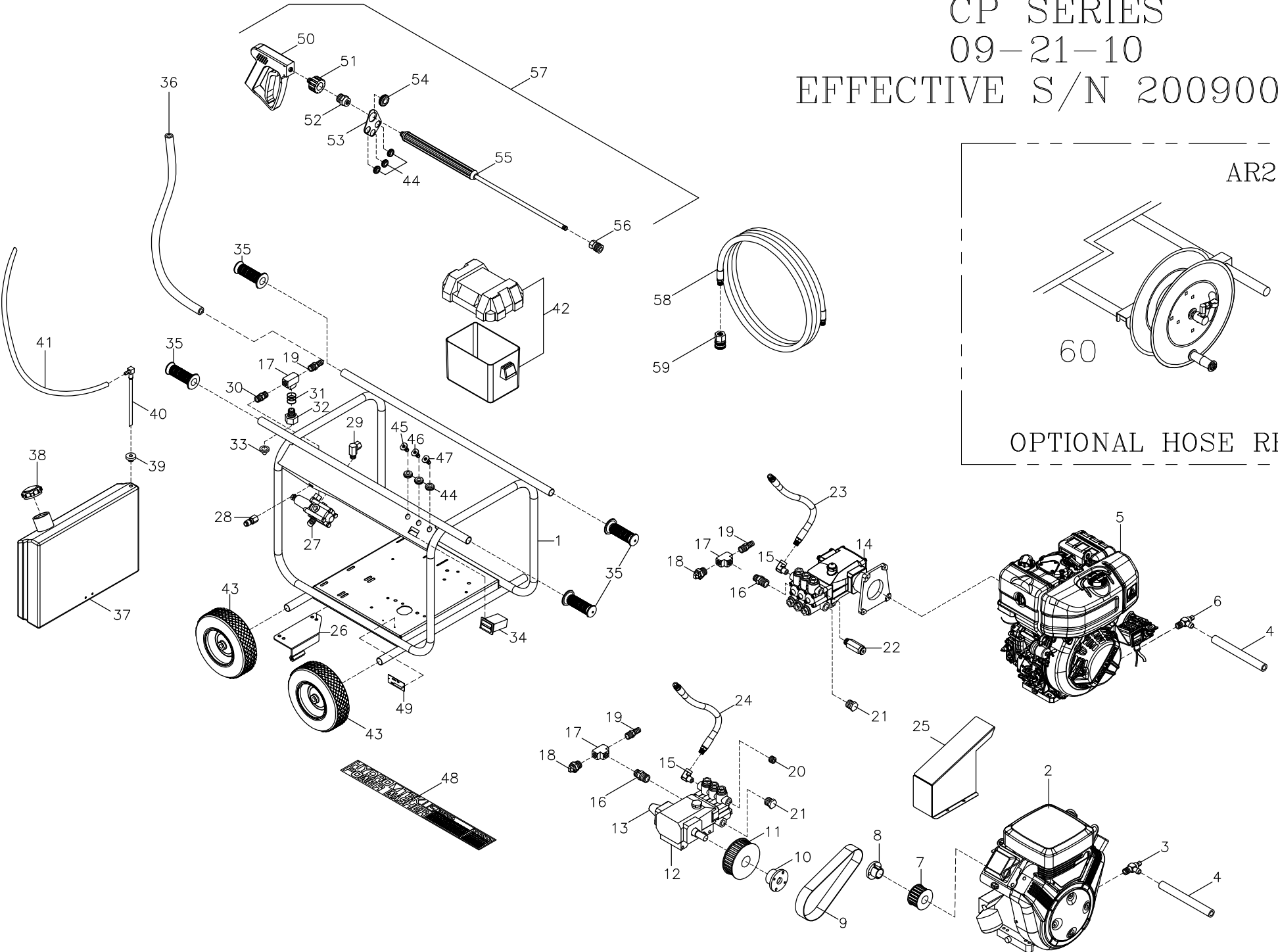


CP SERIES
09-21-10
EFFECTIVE S/N 200900945



CP30004D, CP32005V, CP35005V PARTS LIST

S/N200900945

21-Sep-10

1	HCP20	CP FRAME ASSEMBLY SS		34	EM305	HOUR METER 12 VOLT DC	
2	MS145	ENGINE 14HP VANGAURD E/S	CP32005V	35	HL010	HAND GRIP 1" MX*	
	MS150	ENGINE GAS 16HP VANGUARD E/S W	CP35005V	36	DHC80	HOSE; 1/2" LO PRESS BLACK	
3	MS006	OIL DRAIN VALVE 3/8"	CP32005, CP35005V	37	WT036	FUEL TANK 4 GA GAS RED	CP32005, CP35005V
4	DHC80	HOSE; 1/2" LO PRESS BLACK		38	WT081	FUEL CAP; GASOLINE	CP32005, CP35005V
5	MKU10	ENGINE KOHLER DIESEL 10.3 HP	CP30004D	39	DFF04	FUEL TANK BUSHING 1/4"	CP32005, CP35005V
6	MS007	OIL DRAIN VALVE 14 MM	CP30004D	40	DF599	FUEL TANK ADAPTER W/PLASTIC TU	CP32005, CP35005V
7	KHG16	GEARBELT PULLLEY 16 x 1.50	CP32005, CP35005V				
8	KSG16	BUSHING G1 x 1	CP32005, CP35005V	41	DHP04	HOSE; 1/4" FUEL 50PSI	CP32005, CP35005V
9	KSG27	GEAR BELT 270 x 1.50	CP32005, CP35005V	42	HB050	BATTERY BOX ATTWOOD U1 (SMALL)	
10	KSH17	BUSHING H20MM	CP32005, CP35005V	43	HT104	TIRE & WHEEL 4 x 10 3/4 BORE	
				44	HLB09	GROMMET NOZZLE HOLER***	
11	KHH30	GEARBELT PULLEY 30 x 1.50	CP32005, CP35005V	45	NQ450	NOZZLE/QDC 045 x 0	CP30004D, CP35005V
12	P4535	PUMP 5CP3120 4.5 @ 3500 20MM S	CP32005, CP35005V		NQ500	NOZZLE/QDC 05 x 0*	CP32005V
13	PP692	SHAFT PROTECTOR 5 FRAME BD PMP	CP32005, CP35005V	46	NQ452	NOZZLE/QDC 045 x 15	CP30004D, CP35005V
14	P4060	PUMP 66D x 40GG1 4000 @ 4 SHAFT	CP30004D		NQ502	NOZLE/QDC 05 x 15	CP32005V
15	DC568	STREET ELL 3/8" STEEL		47	NQ454	NOZZLE/QDC 045 x 40	CP30004D, CP35005V
16	D2086	NIPPLE 1/2" x 3/8" BRASS			NQ504	NOZZLE/QDC 05 X 40	CP32005V
17	D6066	TEE 3/8" BRASS		48	GLL78	LABLE HYDRO TEK 20.75 x 2.625*	
18	UPT45	THERM DUMP VALVE 145F 3/8" MPT*		49	GLL05	LABEL SERIAL NUMBER	
19	D8068	HOSE BARB 1/2" H x 3/8"P BRASS*		50	VG200	TRIGGER GUN, INSULATED 4000PSI	
20	D1061	PLUG 3/8" FLUSH HEAD HEX SOCKET	CP32005, CP35005V				
				51	DQ74T	M22 TWIST COUPLER 1/4" MALE	
21	D1080	PLUG 1/2" BRASS		52	DQ74F	TWIST COUPLER 1/4 PLUG FEM-sut	
22	UP137	PRESSURE RELIEF 3700 psi BLACK	CP30004D	53	HNZ05	NOZZLE HOLDER (FOR WAND)	
23	DH003	HOSE 3/8 x 18 4000 psi	CP30004D	54	HLB30	GROMMET; wand 1in	
24	DH026	HOSE 3/8" x 26.5 5000PSI	CP32005, CP35005V	55	VW045	WAND 1/4 x 48" MOLDED GRIP	
25	HS018	BELT GUARD SS SERIES 8/98JR	CP32005V, CP35005V	56	DQ04S	COUPLER 1/4 SOCK FEM	
26	HCP14	ADJUSTER BRACKET ASM.(CP BELT)	CP32005, CP35005V	57	AVGH3	WAND 48" MOLDED NOZZLE HOLDER	
27	UU371	UNLOADER 3-5 @ 3500 K7-1	CP32005, CP35005V	58	DH057	HOSE 3/8" x 50' 4000PSI 250F re	
	UU323	UNLOADER 4350S1 8GPM AR	CP30004D	59	DQ06S	COUPLER 3/8" SOCK FEM	
28	DQ06F	COUPLER 3/8" PLUG FEM STEEL		60	AR209	OPTIONAL HOSE REEL	OPTIONAL
29	DE866	SWIVEL 3/8"F x 3/8"M 90					
30	D2066	NIPPLE 3/8" BRASS			PL100	CAT PUMP OIL 21 OZ	
					MS185	OIL FILTER 16&18 HP VANGUARD	CP32005V, CP35005V
31	D0010	SPRING GARDEN H A			PP895	VALVE KIT CAT 5CP3120 6-PACK	CP32005V, CP35005V
32	D006M	GARDEN H A 3/8" NPT MALE			PP629	SEAL KIT 5CP3120 PUMP	CP32005V, CP35005V
33	D0021	SCREEN WASHER GARDEN H A			ABMUO	ULTIMATE LINE OPERATION MANUAL	