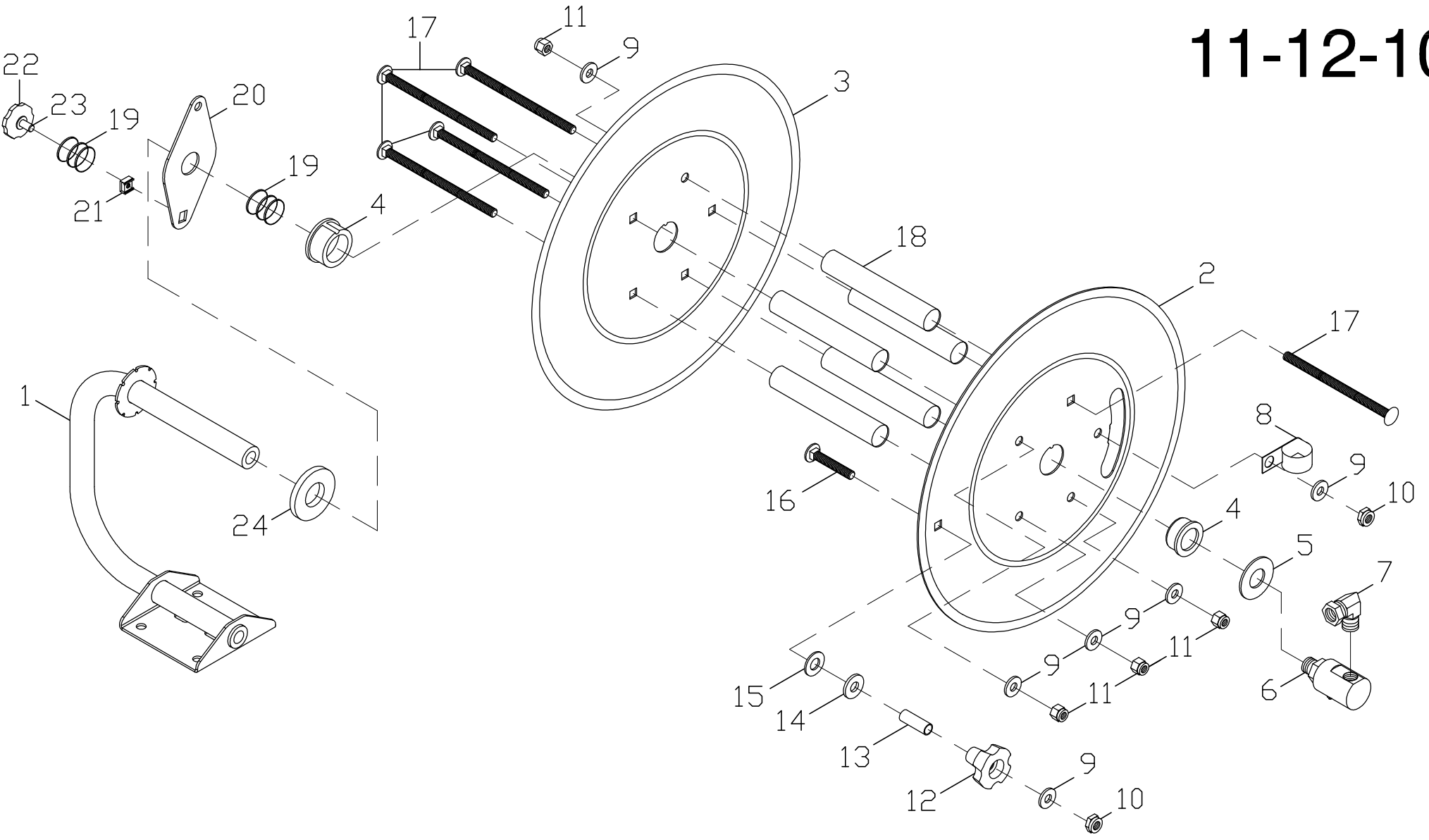


# AR150

## 11-12-10



# AR150 PARTS LIST

12-Nov-10

1	HL116	HOSE REEL ARM WITH BASE MOUNT ARM/BRACKET	
2	HL080	HOSE REEL DOME-16GA SS-W/HOLE ST 2002	
3	HL081	HOSE REEL DOME-16GA SS ST 2002	
4	HL050	DELTRIN BEARING; HOSE REEL 1 x 1	2 TOTAL
5	FWS09	WASHER, 11/16 id x 1 1/2 od STNLS	
6	DR058	SWIVEL 3/8 HOSE REEL 5000psi	
7	DE866	SWIVEL, 3/8F x 3/8M 90	
8	FD076	CLAMP, 3/4 VINYL COATED	
9	FWC05	WASHER CUT 5/16 PLD*	6 TOTAL
10	FNJ06	NUT LOCK JAM 3/8 - 16 PLTD	2 TOTAL
11	FNL06	NUT LOCK 3/8-16 PLD	4 TOTAL
12	HL009	KNOB, BLACK BULLDOG STYLE	
13	HSC44	HANDLE PIVOT BOLT SPACER SS FOR ANTV3, ANT28, ANT3C	
14	FWC06	WASHER CUT 3/8 PLD	
15	FWCO8	WASHER SAE 1/2 PLATED	
16	FB879	CARRIAGE BOLT- 3/8-16 x 2"	
17	FB886	CARRIAGE BOLT- 3/8-16 6.5 LONG*	5 TOTAL
18	SR103	RD TUBE 1 x .065 STAINLESS 304, 6" LONG	5 TOTAL
19	D0010	SPRING GARDEN H A	2 TOTAL
20	HL014	BRAKE LEVER - HOSE REEL 12 GA	
21	FNS05	5/16 - 18 SQUARE SPEED NUT - 12	
22	FBN55	KNOB/ BOLT ASM ROSETT 5/16 x 5	
23	FB310	SET SCREW 5/16 -18 x 3/4" ZINC	
24	FWR16	FRICTION WASHER, 1"	