

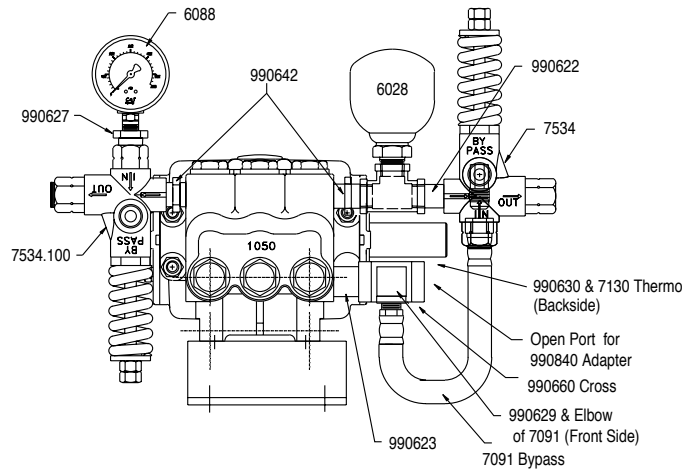
SELECTION: Select the fittings to match the system pressure rating and the type of material compatible with the pump head and pumped liquid. Do not restrict the inlet or discharge of the pump.

INSTALLATION: Install inlet and discharge accessories directly to the pump ports when possible or use a tee to accommodate multiple accessories. See typical installation views.

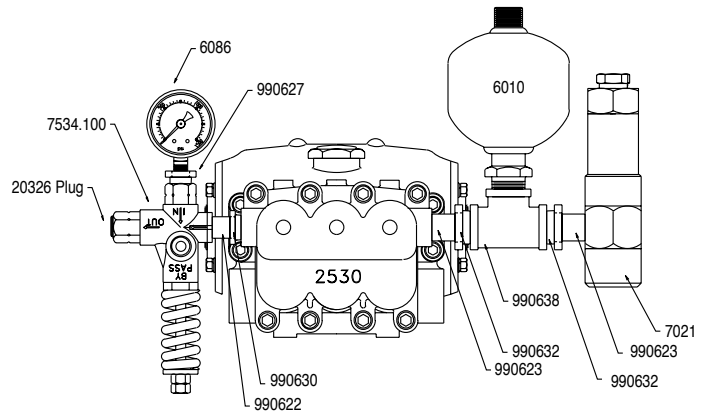
MAINTENANCE: With each seal and valve change, check all fitting connections for any leaks. Low pressure, fluctuating pressure or vibration are often the result of poor connections. Use PTFE thread tape or pipe thread sealant to assure a leak proof fit.

TYPICAL INSTALLATIONS

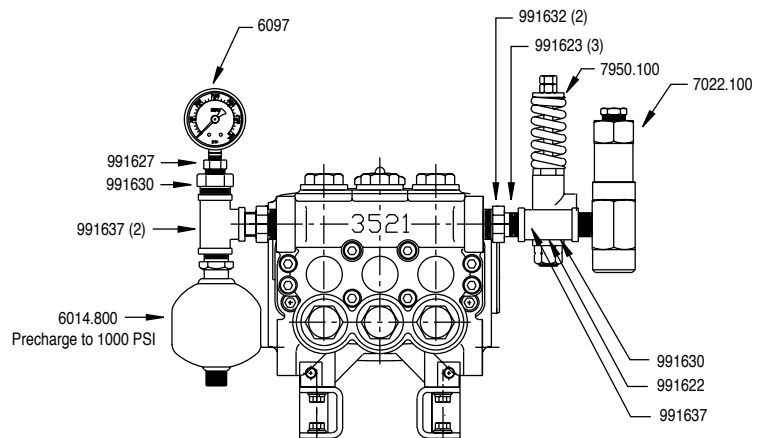
10 GPM at 1500 PSI - STL



20 GPM at 1000 PSI - STL



23 GPM at 2000 PSI - SS



WARRANTY

90 Day Warranty

Refer to complete CAT PUMPS Warranty for further information.

World Headquarters

CAT PUMPS

1681 - 94th Lane N.E. Minneapolis, MN 55449-4324

Phone (763) 780-5440 — FAX (763) 780-2958

e-mail: techsupport@catpumps.com

www.catpumps.com

International Inquiries

FAX (763) 785-4329

e-mail: intlsales@catpumps.com



The Pumps with Nine Lives

CAT PUMPS (U.K.) LTD.

1 Fleet Business Park, Sandy Lane, Church Crookham, Fleet

Hampshire GU52 8BF, England

Phone Fleet 44 1252-622031 — Fax 44 1252-626655

e-mail: sales@catpumps.co.uk

N.V. CAT PUMPS INTERNATIONAL S.A.

Heiveldekens 6A, 2550 Kontich, Belgium

Phone 32-3-450.71.50 — Fax 32-3-450.71.51

e-mail: cpi@catpumps.be www.catpumps.be

CAT PUMPS DEUTSCHLAND GmbH

Buchwiese 2, D-65510 Idstein, Germany

Phone 49 6126-9303 0 — Fax 49 6126-9303 33

e-mail: catpumps@t-online.de www.catpumps.de