



Turbo Nozzle

Models

7265
7270

FEATURES

- Converts 0° blasting power to a 25° spinning action to agitate dirt loose.
- Quickly mounts to any 1/4" lance.
- Unique spinning action quickly covers a wide path with intense cleaning results.
- Durable ceramic nozzle offers greater resistance to wear.

SELECTION: This nozzle is designed to provide agitation while spraying to assist in removing stubborn dirt. Select a nozzle to match the flow and pressure requirements of the system.

INSTALLATION: Remove any standard spray nozzle from the high pressure lance. Place PTFE thread tape or pipe thread sealant on threaded lance ends and tighten the turbo nozzle onto the lance. Fits standard 1/4" lance rated to nozzle specification.

OPERATION: The Turbo Nozzle is a specially designed nozzle which converts 0° blasting penetration to a 25°

SPECIFICATIONS

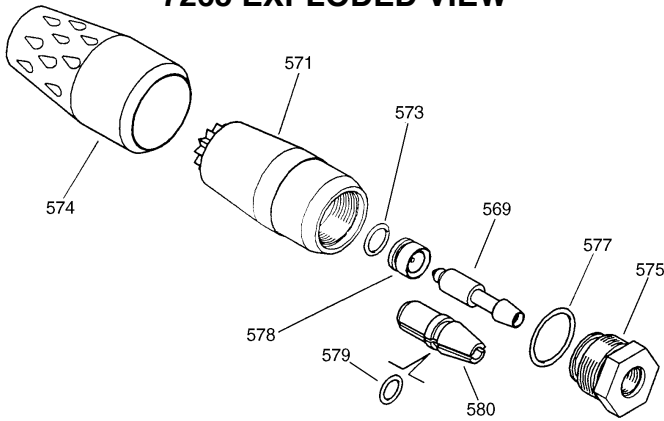
	U.S. Measure	Metric Measure
MODEL 7265		
Flow Range.....	1.0-5.7 GPM	(3.8-22 L/M)
Pressure Range	1200-3000 PSI	(85-210 BAR)
Max. Temperature	194°F	(90°C)
Inlet Fitting	1/4" BSPF	(1/4" BSPF)
Weight	11.8 oz.	(.334 kg)
Dimensions	3.7 x 1.5"	(94 x 38mm)
MODEL 7270		
Flow Range.....	1.0-10.0 GPM	(3.8-38 L/M)
Pressure Range	2000-5000 PSI	(140-345 BAR)
Max. Temperature	194°F	(90°C)
Inlet Fitting	1/4" BSPF	(1/4" BSPF)
Weight	25.5 oz.	(.723 kg)
Dimensions	4.5 x 2.0"	(114 x 51mm)

spinning action to offer greater cleaning intensity. As water enters the inlet fitting, the nozzle assembly begins to spin, resulting in a spiral blasting pattern as you move the nozzle across the surface being cleaned.

MAINTENANCE: A loss in system pressure is often the result of a worn or improperly sized nozzle. Periodically replace nozzle.

⚠ WARNING
Always shut system off when changing guns, lances and nozzles to avoid accidental damage.

7265 EXPLODED VIEW



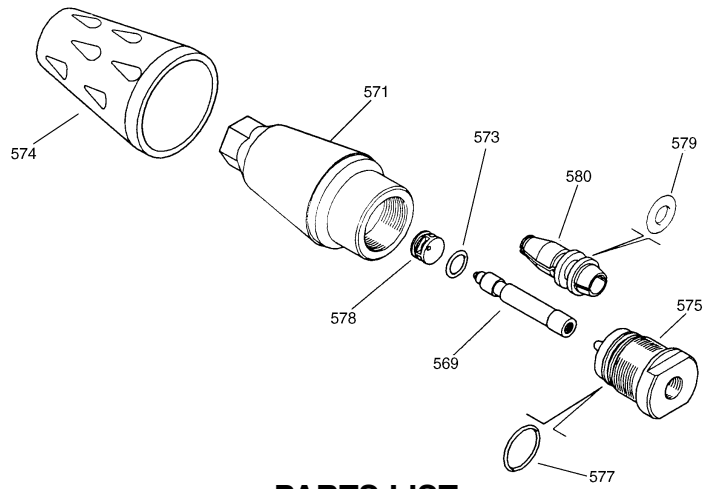
PARTS LIST

ITEM	P/N	MATL	DESCRIPTION	QTY
569	31113	BB/CC	Nozzle Assy (3.5) Brown (Incls: 569, 573, 577, 578, 579, 580)	1
	31114	BB/CC	Nozzle Assy (4.0) Dark Yellow (Incls: 569, 573, 577, 578, 579, 580)	1
	31115	BB/CC	Nozzle Assy (4.5) Dark Blue (Incls: 569, 573, 577, 578, 579, 580)	1
	31116	BB/CC	Nozzle Assy (5.0) Light Purple (Incls: 569, 573, 577, 578, 579, 580)	1
	31118	BB/CC	Nozzle Assy (5.5) Red (Incls: 569, 573, 577, 578, 579, 580)	1
	31630	BB/CC	Nozzle Assy (6.0) Dark Green (Incls: 569, 573, 577, 578, 579, 580)	1
	31119	BB/CC	Nozzle Assy (6.5) Light Blue (Incls: 569, 573, 577, 578, 579, 580)	1
571	—	BB	Body	1
573	—	NBR	O-Ring, Seat	1
574	31241	—	Protector, Nozzle	1
575	31332	BB	Fitting, Inlet (3.5) 1/4" BSPF	1
	31333	BB	Fitting, Inlet (4.0) 1/4" BSPF	1
	31334	BB	Fitting, Inlet (4.5) 1/4" BSPF	1
	31335	BB	Fitting, Inlet (5.0) 1/4" BSPF	1
	31336	BB	Fitting, Inlet (5.5) 1/4" BSPF	1
	31639	BB	Fitting, Inlet (6.0) 1/4" BSPF	1
	31337	BB	Fitting, Inlet (6.5) 1/4" BSPF	1
577	—	NBR	O-Ring, Fitting Inlet	1
578	—	CC	Seat	1
579	—	NBR	O-Ring, Nozzle Holder	1
580	—	NY	Holder, Nozzle	1

MATERIAL CODES (Not Part of Part Number):

BB=Brass CC=Ceramic NBR=Medium Nitrile (Buna-N) NY=Nylon

7270 EXPLODED VIEW



PARTS LIST

ITEM	P/N	MATL	DESCRIPTION	QTY
569	31103	BB/CC	Nozzle Assy (3.5) Brown (Incls: 569, 573, 577, 578, 579, 580)	1
	31105	BB/CC	Nozzle Assy (4.5) Dark Blue (Incls: 569, 573, 577, 578, 579, 580)	1
	31107	BB/CC	Nozzle Assy (5.5) Red (Incls: 569, 573, 577, 578, 579, 580)	1
	31108	BB/CC	Nozzle Assy (6.5) Light Blue (Incls: 569, 573, 577, 578, 579, 580)	1
	31649	BB/CC	Nozzle Assy (8.0) Silver (Incls: 569, 573, 577, 578, 579, 580)	1
	31109	BB/CC	Nozzle Assy (9.0) Gold (Incls: 569, 573, 577, 578, 579, 580)	1
571	—	BB	Body	1
573	—	NBR	O-Ring, Seat	1
574	31242	—	Protector, Nozzle	1
575	31330	BB	Fitting, Inlet (3.5) 1/4" BSPF	1
	31329	BB	Fitting, Inlet (4.5) 1/4" BSPF	1
	31328	BB	Fitting, Inlet (5.5) 1/4" BSPF	1
	31327	BB	Fitting, Inlet (6.5) 1/4" BSPF	1
	31658	BB	Fitting, Inlet (8.0) 1/4" BSPF	1
	31326	BB	Fitting, Inlet (9.0) 1/4" BSPF	1
577	—	NBR	O-Ring, Fitting Inlet	1
578	—	CC	Seat	1
579	—	NBR	O-Ring, Nozzle Holder	1
580	—	NY	Holder, Nozzle	1

MATERIAL CODES (Not Part of Part Number):

BB=Brass CC=Ceramic NBR=Medium Nitrile (Buna-N) NY=Nylon

7265 NOZZLE SELECTION CHART

Model	Nozzle Size	Nozzle Volume (GPM) at Various Pressures (PSI)				
		1200 (85)	1500 (105)	2000 (140)	2500 (175)	3000 (210)
7265.35	3.5	1.9	2.2	2.5	2.7	3.0
7265.40	4.0	2.2	2.5	2.8	3.1	3.5
7265.45	4.5	2.4	2.8	3.0	3.6	3.9
7265.50	5.0	2.8	3.1	3.6	4.0	4.4
7265.55	5.5	3.0	3.4	3.8	4.4	4.8
7265.60	6.0	3.2	3.7	4.2	4.8	5.2
7265.65	6.5	3.6	4.0	4.6	5.2	5.7

7270 NOZZLE SELECTION CHART

Model	Nozzle Size	Nozzle Volume (GPM) at Various Pressures (PSI)				
		2000 (140)	2500 (175)	3000 (210)	4000 (275)	5000 (345)
7270.35	3.5	2.5	2.7	3.0	3.5	3.9
7270.45	4.5	3.0	3.6	3.9	4.5	5.0
7270.55	5.5	3.8	4.4	4.8	5.5	6.2
7270.65	6.5	4.6	5.2	5.7	6.5	7.3
7270.80	8.0	5.6	6.2	7.0	8.0	8.9
7270.90	9.0	6.4	7.1	7.8	9.0	10.0

⚠ WARNING

Severe injury can occur with high pressure spray.
Do not allow spray to contact any part of body.

WARRANTY

90 Day Warranty

Refer to complete CAT PUMPS Warranty for further information.

World Headquarters

CAT PUMPS

1681 - 94th Lane N.E. Minneapolis, MN 55449-4324

Phone (763) 780-5440 — FAX (763) 780-2958

e-mail: techsupport@catpumps.com

www.catpumps.com

International Inquiries

FAX (763) 785-4329

e-mail: intlsales@catpumps.com



The Pumps with Nine Lives

CAT PUMPS (U.K.) LTD.

1 Fleet Business Park, Sandy Lane, Church Crookham

FLEET, Hampshire, GU52 8BF, England

Phone Fleet 44 1252-622031 — Fax 44 1252-626655

e-mail: sales@catpumps.co.uk

N.V. CAT PUMPS INTERNATIONAL S.A.

Heiveldekens 6A, B-2550 Kontich, Belgium

Phone 32-3-450.71.50 — Fax 32-3-450.71.51

e-mail: cpi@catpumps.be www.catpumps.be

CAT PUMPS DEUTSCHLAND GmbH

Buchwiese 2, D-65510 Idstein, Germany

Phone 49 6126-9303 0 — Fax 49 6126-9303 33

e-mail: catpumps@t-online.de www.catpumps.de