



Y-Inline Filter

Model

7109

FEATURES

- Durable fiberglass reinforced polypropylene body for corrosion resistance.
- 304 stainless steel 80 mesh screens to filter out standard water particulates and debris.
- EPDM gasket for compatibility.
- Heavy-duty end cap threads for strength and durability.
- Convenient in-line installation and bottom clean out port for easy periodic flushing and cleaning.

SELECTION: Select the inline filter to match the system flow, pressure requirements and pump inlet port size. This filter is designed to filter out standard water debris. It is not intended to eliminate fine abrasives or chemicals. Special filtration is required for these conditions.

INSTALLATION: This filter should be installed in a system with a pump inlet line of 2" or less to avoid restriction of the inlet flow to the pump. Some conditions may require dual filters to assure clean water to the pump and minimize inlet flow restriction.

To assure a positive flow to the pump, a low pressure shut-off switch can be installed at the pump inlet to turn pump off when filter clogs and restricts flow.

SPECIFICATIONS

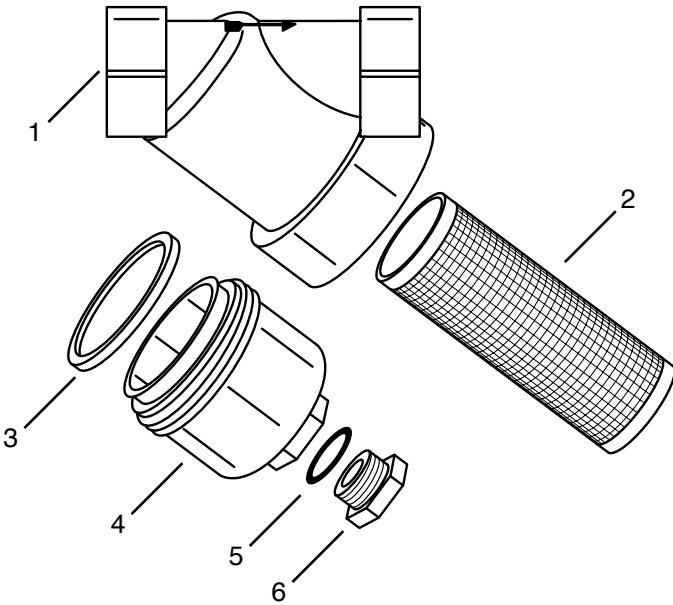
	U.S. Measure	Metric Measure
Flow Range		
Suction	100 GPM	(378 L/M)
Pressurized	150 GPM	(567 L/M)
Inlet Pressure Range		
@ 70°F	150 PSI	(10.5 BAR)
@ 125°F	100 PSI	(7 BAR)
Maximum Temperature	125°F	(52°C)
Inlet Fitting	2" NPTF	(2" NPTF)
Discharge Fitting	2" NPTF	(2" NPTF)
Bottom Drain Port	1-1/4"	(1-1/4")
Mesh Size	80	(80)
Micron Equivalent	178	(178)
Pressure Drop Across (Clean) Filter	Nominal	(Nominal)
Weight36 oz.	(1.4 kg)
Dimensions	8.56 x 4.62 x 7.89"	(217 x 117 x 200 mm)

OPERATION: This filter needs no adjustment. Simply install in the inlet line to pump and establish a routine maintenance cycle to assure good flow through the filter. For proper performance and service life, do not exceed the pressure rating of the filter. Do not exceed pump rated inlet pressure or suction lift.

MAINTENANCE: Periodic flushing and screen cleaning is recommended to assure proper flow to the inlet of the pump. This schedule will be determined by the operation of the pump. A low pressure switch can be installed to give a signal that service is needed.

“Customer confidence is our greatest asset”

EXPLODED VIEW



PARTS LIST

ITEM	P/N	MATL	DESCRIPTION	QTY.
1	—	POP	Y-Housing	1
2	33081	SS	Screen	1
3	33087	EPDM	Gasket, 2"	1
4	—	POP	Lower Body	1
5	—	NBR	O-Ring, Plug - 70D	1
6	—	POP	Plug, Clean Out	1

Material Codes (Not Part of Part No.):

EPDM=Ethylene Propylene Diene Monamer

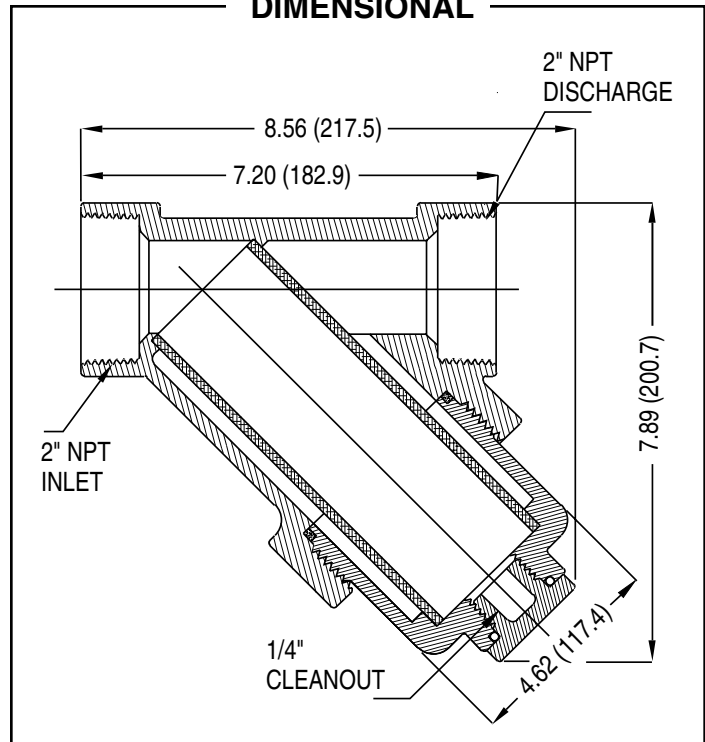
NBR=Medium Nitrile (Buna-N) POP=Polypropylene SS=316SS

WARRANTY

90 Day Warranty

Refer to complete CAT PUMPS Warranty for further information.

DIMENSIONAL



INLET FILTER WORKSHEET

For proper selection of your inlet filter, the following criteria should be considered:

Maximum System Flow _____ GPM (L/M)

Maximum Inlet Pressure _____ PSI (BAR)

Liquid being pumped/Concentration _____ / _____ %
 _____ / _____ %

Maximum temperature of liquid pumped _____ °F (°C)

Density of liquid pumped _____ Spec. Gravity

Nature of Solids _____

Size of Solids _____ microns Volume of Solids _____ ppm

Viscosity of liquid pumped _____ CPS _____ SSU

Maximum pressure drop when clean _____ PSI (BAR)

Mesh size _____ (80 standard)

Frequency of cleaning (per) _____ Day _____ Week _____ Month

Material of body _____ Strainer _____

Clearance limitations beyond pump _____ inches (mm)

World Headquarters

CAT PUMPS

1681 - 94th Lane N.E. Minneapolis, MN 55449-4324

Phone (763) 780-5440 — FAX (763) 780-2958

e-mail: techsupport@catpumps.com

www.catpumps.com

International Inquiries

FAX (763) 785-4329

e-mail: intl@catpumps.com



The Pumps with Nine Lives

CAT PUMPS (U.K.) LTD.

1 Fleet Business Park, Sandy Lane, Church Crookham

FLEET, Hampshire, GU52 8BF, England

Phone Fleet 44 1252-622031 — Fax 44 1252-626655

e-mail: sales@catpumps.co.uk

N.V. CAT PUMPS INTERNATIONAL S.A.

Heiveldkens 6A, B-2550 Kontich, Belgium

Phone 32-3-450.71.50 — Fax 32-3-450.71.51

e-mail: cpi@catpumps.be www.catpumps.be

CAT PUMPS DEUTSCHLAND GmbH

Buchwiese 2, D-65510 Idstein, Germany

Phone 49 6126-9303 0 — Fax 49 6126-9303 33

e-mail: catpumps@t-online.de www.catpumps.de