



Shut-off Guns

Standard Model **36140**
Weep Model **36141**

FEATURES

- Durable Z-Nylon body with new heat resistant trigger means longer life, less breakage.
- Contour design and smooth trigger action reduces operator fatigue.
- Quality construction stainless steel ball and seat assures thousands of continuous cycles.
- Choice of standard or freeze protection “weep” version.
- Special safety-lock prevents unintentional operation.

SELECTION: Select a gun to match your system flow and pressure requirements, temperature and function being performed.

INSTALLATION: Install the appropriate relief valve when using a shut-off gun to avoid pressure spikes when the gun is shut off. Severe damage can occur to your system without this device. When operating in freezing conditions, use the weep version. For field conversion a standard gun may be modified to weep by

SPECIFICATIONS

| | U.S. Measure | Metric Measure |
|--------------------------|---------------------------------|----------------|
| Maximum Flow | 10.5 GPM | (40 L/M) |
| Maximum Pressure..... | 4500 PSI | (310 BAR) |
| Maximum Temperature..... | 320°F | (160°C) |
| Inlet Port (1) | 3/8" NPTF | (3/8" NPTF) |
| Discharge Port (1)..... | 1/4" NPTF | (1/4" NPTF) |
| Weight..... | 27.5 oz. | (0.779 kg) |
| Dimensions | 8.26x5.39x1.15" (210x137x29 mm) | |

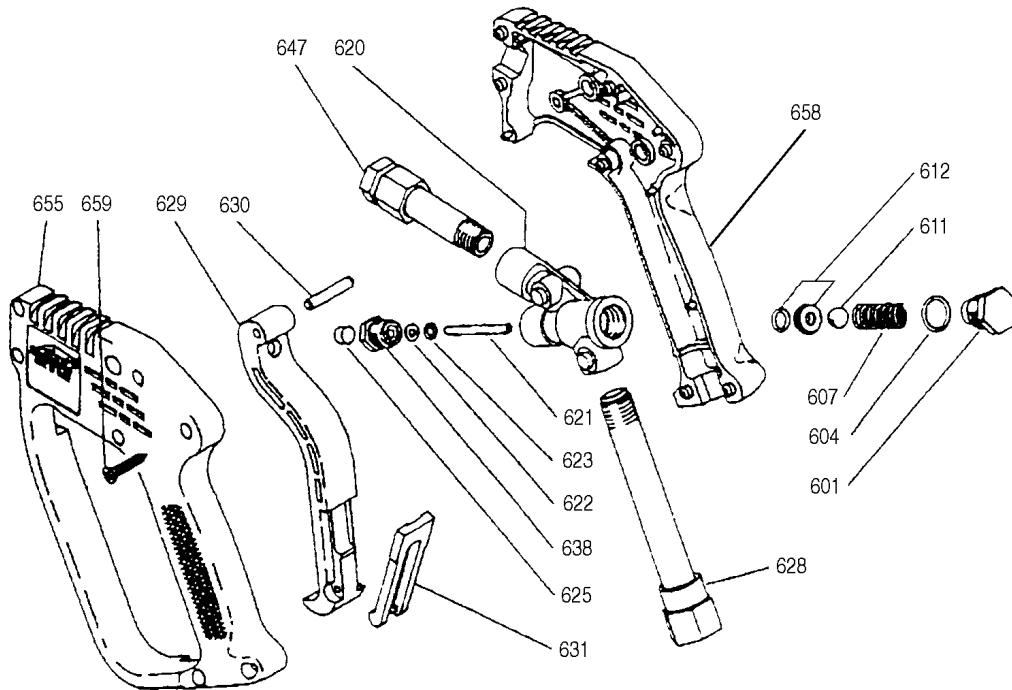
Gun is stamped with a European safety pressure. Use only at above specifications to assure proper gun life and performance.

inverting the standard seat to the notched weep side. It is suggested the color coded trigger also be used when converting to weep.

OPERATION: Flow through the gun occurs by squeezing the trigger on the gun. This activates the actuator rod, lifting the ball off the seat, allowing the pumped liquid to flow through the valve body chamber in the gun. Releasing the trigger shuts off the flow.

“Customer confidence is our greatest asset”

EXPLODED VIEW



PARTS LIST

| ITEM | P/N | MATL | DESCRIPTION | QTY | ITEM | P/N | MATL | DESCRIPTION | QTY |
|------|-------|------|-----------------------------|-----|------|-------|------|---|-----|
| 601 | 33785 | BB | Nut, Spring Retaining (M16) | 1 | 630 | — | BB | Pin (5x27 mm) | 1 |
| 604 | 33564 | NBR | O-Ring, Retaining Nut - 90D | 1 | 631 | — | NY | Latch, Safety, Black | 1 |
| 607 | 33379 | SS | Spring, Ball | 1 | 638 | 31001 | BB | Guide, Rod | 1 |
| 611 | 32289 | SSSS | Ball, Seat | 1 | 647 | 32006 | BB | Fitting, Discharge (1/4" NPTF) | 1 |
| 612 | — | NBR | Seat, Notched w/O-Ring | 1 | 655 | — | Z | Handle, Left | 1 |
| 620 | — | BB | Body | 1 | 658 | — | Z | Handle, Right | 1 |
| 621 | 33787 | S | Rod, Actuator | 1 | 659 | — | S | Screw, Phillips (M3.5x18) | 7 |
| 622 | 35074 | PTFE | Back-up-Ring, Actuator Rod | 1 | 665 | 39300 | Z | Assy, Handle (Incls: 655, 658, 659) | 1 |
| 623 | 35020 | FPM | O-Ring, Actuator Rod | 1 | 667 | 35401 | — | Assy, Trigger, Black (Incls: 625, 629, 630, 631) | 1 |
| 625 | — | NY | Striker | 1 | 668 | 35402 | — | Assy, Trigger, Blue (Incls: 625, 629, 630, 631) | 1 |
| 628 | 33305 | BB | Fitting, Inlet (3/8" NPTF) | 1 | 668 | 36080 | — | Kit, Repair (Incls: 604, 611, 612, 621, 622, 623) | 1 |
| 629 | — | NY | Trigger, Black | 1 | | | | | |

MATERIAL CODES (Not Part of Part Number): BB=Brass FPM=Fluorocarbon NBR=Medium Nitrile (Buna-N) NY=Nylon
PTFE=Pure Polytetrafluoroethylene S=304SS SS=316SS SSSS=440SS Z=Z-Nylon

⚠ WARNING

Severe injury can occur with high pressure spray.
Do not allow spray to contact any part of body.

OPTIONAL LANCES

- 31219 Square Insulated Single Lance - S.S. — 32-1/4", 5100 PSI
- 31220 Square Insulated Single Lance - S.S. — 42-1/4", 5100 PSI

TROUBLESHOOTING

- | | |
|--|---|
| Water leaking out the discharge of the gun Water leaking out the lever area | <ul style="list-style-type: none"> • Object lodged between the seat and ball. • Seat worn. • O-Ring under seat worn. • O-Ring around push rod worn. |
|--|---|

WARRANTY

90 Day Warranty

Refer to complete CAT PUMPS Warranty for further information.

World Headquarters

CAT PUMPS

1681 - 94th Lane N.E. Minneapolis, MN 55449-4324

Phone (763) 780-5440 — FAX (763) 780-2958

e-mail: techsupport@catpumps.com

www.catpumps.com

International Inquiries

FAX (763) 785-4329

e-mail: intlsales@catpumps.com



The Pumps with Nine Lives

CAT PUMPS (U.K.) LTD.

1 Fleet Business Park, Sandy Lane, Church Crookham

FLEET, Hampshire, GU52 8BF, England

Phone Fleet 44 1252-622031 — Fax 44 1252-626655

e-mail: sales@catpumps.co.uk www.catpumps.co.uk

N.V. CAT PUMPS INTERNATIONAL S.A.

Heiveldekens 6A, B-2550 Kontich, Belgium

Phone 32-3-450.71.50 — Fax 32-3-450.71.51

e-mail: cpi@catpumps.be www.catpumps.be

CAT PUMPS DEUTSCHLAND GmbH

Buchwiese 2, D-65510 Idstein, Germany

Phone 49 6126-9303 0 — Fax 49 6126-9303 33

e-mail: catpumps@t-online.de www.catpumps.de