



Model 31013



Model 32010

Float Valve

Models

31013
32010

SPECIFICATIONS

	U.S. Measure	Metric Measure
MODEL 31013		
Maximum Flow	7.1 GPM	(27 L/M)
Maximum Inlet Pressure	145 PSI	(10 BAR)
Maximum Temperature	140°F	(60°C)
Inlet Port	3/8" BSPM	(3/8" BSPM)
Weight	8.6 oz.	(.24 kg)
Dimensions	10.5 x 5.0 x 2.75"	(267 x 127 x 70 mm)
MODEL 32010		
Maximum Flow	8.0 GPM	(30 L/M)
Maximum Inlet Pressure	145 PSI	(10 BAR)
Maximum Temperature	140°F	(60°C)
Inlet Port	3/4" BSPM	(3/4" BSPM)
Weight	2.8 oz.	(.08 kg)
Dimensions	6.5 x 2.5 x 3.0"	(165 x 63.5 x 76 mm)

FEATURES

- Protects pump...maintains liquid level in reservoir to assure constant flow to pump inlet.
- Compact, easy installation with adjustable or fixed float models.
- Low maintenance, economical pump protector.

SELECTION: Select a Float Valve to match the system flow requirements. EXERCISE CAUTION NOT TO STARVE THE PUMP.

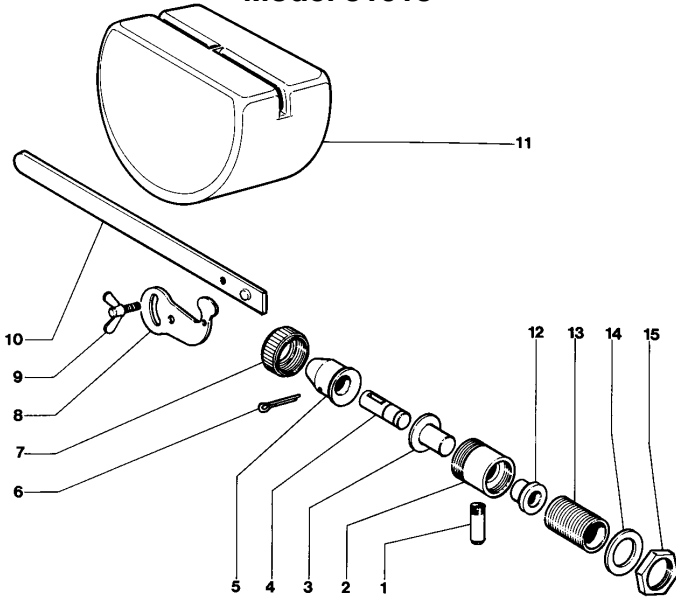
INSTALLATION: Install the float valve in a properly baffled reservoir which is approximately 6 to 10 times the system flow.

OPERATION: The float valve is designed to maintain adequate liquid level in the reservoir to assure

consistent flow to the inlet of the pump. The liquid to be pumped is fed directly to the float valve connected to the side of the reservoir. The liquid flows through the float valve filling the reservoir. As the float rises to a level position, the flow through the float valve is shut off. On the 31013 Float Valve, the float reaction time can be adjusted by different positions of the float arm. The float is preset on the 32010 Float Valve.

“Customer confidence is our greatest asset”

**EXPLODED VIEW
Model 31013**



PARTS LIST

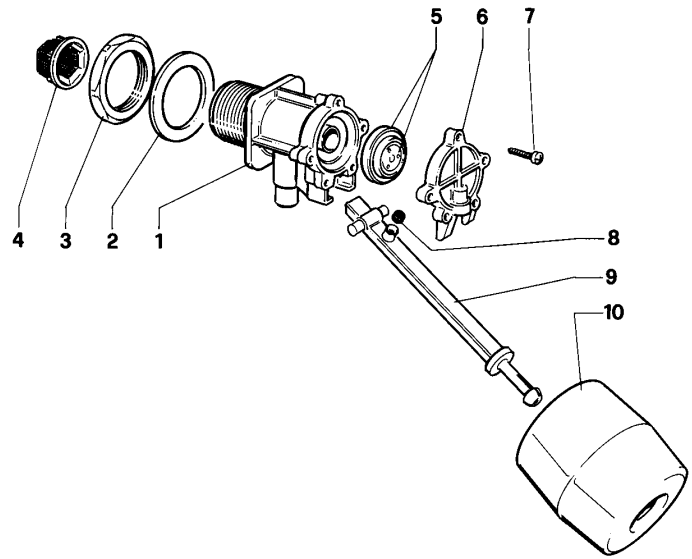
ITEM	P/N	MATL	DESCRIPTION	QTY
1	—	BB	Pin	1
2	—	BB	Body	1
3	32809	NBR	Diaphragm	1
4	39056	PE	Rod, Piston	1
5	—	BB	Retainer, Diaphragm	1
6	—	BB	Cotterpin	1
7	—	BB	Cap, Retaining	1
8	—	BB	Arm, Pivot	1
9	—	BB	Nut, Wing	1
10	—	BB	Arm, Adjustment (6")	1
11	—	PE	Float, Gray	1
12	39057	BB	Seat	1
13	—	BB	Fitting (BSP)	1
14	32841	RBR	Gasket (3/8")	1
15	—	BB	Hex Nut (3/8")	1

Material Codes (Not Part of Part No.):
BB=Brass NBR=Medium Nitrile (Buna-N)
PE=Polyethylene RBR=Rubber

FLOW CHART

Inlet Pressure		31013		32010	
		Flow		Flow	
PSI	BAR	GPM	L/M	GPM	LM
14	1	5.0	19	6.6	25
29	2	7.0	27	8.0	30
40	2.8	10.0	38	10.0	38

**EXPLODED VIEW
Model 32010**



PARTS LIST

ITEM	P/N	MATL	DESCRIPTION	QTY
1	—	PE	Body	1
2	32841.34	RBR	Gasket (3/4")	1
3	—	BB	Hex Nut (3/4")	1
4	32799	PE	Filter, Inlet	1
5	—	BB	Diaphragm	1
6	—	PE	Retainer, Diaphragm	1
7	—	STZP	Screw (M3.5x18)	5
8	—	BB	Pin	1
9	—	NY	Arm, Adjustment	1
10	—	PE	Float, Black	1

Material Codes (Not Part of Part No.): BB=Brass
NY=Nylon PE=Polyethylene RBR=Rubber STZP=Steel/Zinc Plated

TROUBLESHOOTING

Will not shut off	<ul style="list-style-type: none"> • Replace worn diaphragm. • Adjust float position. • Replace cracked float retaining liquid.
Leaking at fitting	<ul style="list-style-type: none"> • Secure hex nut hand tight and use PTFE tape.
Diaphragm frequently wears	<ul style="list-style-type: none"> • Reduce inlet pressure or liquid temperature.
Pulsation or low pump pressure	<ul style="list-style-type: none"> • Clean or replace clogged inlet filter. • Use baffled tank.

WARRANTY

90 Day Warranty
Refer to complete CAT PUMPS Warranty for further information.

**World Headquarters
CAT PUMPS**

1681 - 94th Lane N.E. Minneapolis, MN 55449-4324
Phone (763) 780-5440 — FAX (763) 780-2958
e-mail: techsupport@catpumps.com
www.catpumps.com

International Inquiries

FAX (763) 785-4329
e-mail: intlsales@catpumps.com



The Pumps with Nine Lives

CAT PUMPS (U.K.) LTD.

1 Fleet Business Park, Sandy Lane, Church Crookham
FLEET, Hampshire, GU52 8BF, England
Phone Fleet 44 1252-622031 — Fax 44 1252-626655
e-mail: sales@catpumps.co.uk

N.V. CAT PUMPS INTERNATIONAL S.A.

Heiveldekens 6A, B-2550 Kontich, Belgium
Phone 32-3-450.71.50 — Fax 32-3-450.71.51
e-mail: cpi@catpumps.be www.catpumps.be

CAT PUMPS DEUTSCHLAND GmbH

Buchwiese 2, D-65510 Idstein, Germany
Phone 49 6126-9303 0 — Fax 49 6126-9303 33
e-mail: catpumps@t-online.de www.catpumps.de