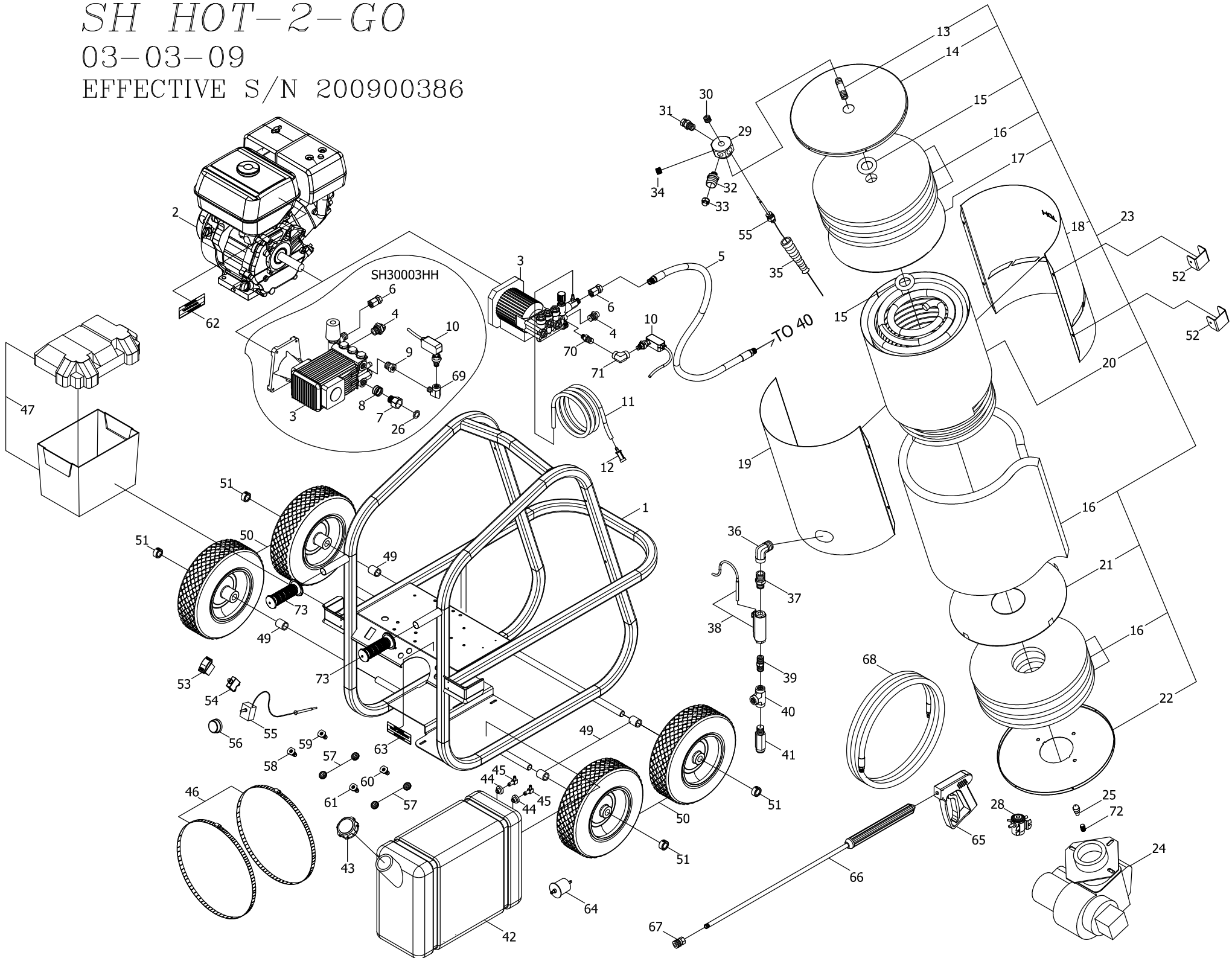


# SH HOT-2-GO

03-03-09

EFFECTIVE S/N 200900386



# SH HOT-2-GO PARTS LIST

03-03-09 EFFECTIVE S/N 200900386

1	HSH05	FRAME ASSEM SH	ALL	39	DB506	NIPPLE 3/8" STEEL	ALL
2	MS065	ENGINE GAS 6.5hp VANGUARD E/S	SH27003VH	40	DE066	TEE 3/8" STEEL	ALL
	MH009	HONDA ENGINE 9.0HP HONDA PULL START	SH30003HH	41	UP137	PRESSURE RELIEF 3700psi BLACK	ALL
3	PC240	PUMP 2.4@2400 AXIAL	SH27003VH	42	WT075	FUEL TANK 7.5 DIESEL CLEAR*	ALL
	PG303	PUMP 3@3500 W/UNL/INJ 1" GAS	SH30003HH	43	WT080	FUEL CAP; DIESEL	ALL
4	UPT45	THERMAL DUMP VALVE 145f 3/8" MPT*	ALL	44	DFF04	FUEL TANK BUSHING 1/4"	ALL
5	DH026	HOSE 3/8" x 26.5" 5000PSI	ALL	45	DFE04	FUEL TANK ELL 1/4"	ALL
6	DE867	SWIVEL 3/8"FP x 3/8" FPS	ALL	46	FC074	WORMGEAR CLAMP 2 1/2 x 13 1/4	ALL
7	D008M	GARDEN H A 1/2 NPT MALE	SH30003HH	47	HB100	BATTERY BOX ATTWOOD G24 (LARGE)	ALL
8	D0010	SPRING GARDEN H A	SH30003HH	49	HSC29	SPACER-WHEEL (OPTION A)-HG/HD	ALL
9	DA064	BUSHING 3/8 x 1/4 STEEL	SH30003HH	50	HT126	WHEEL & TIRE STUD 12" 3/4" BORE	ALL
10	VS030	PRESSURE SWITCH 4000 1/4"	ALL	51	HC012	COLLAR 3/4"	ALL
11	DHB04	TUBING; CLEAR BRAIDED 1/4"	ALL	52	HSH10	WAND BRACKET 14 GA STAINLESS	ALL
12	VF042	STRAINER CHEM (NO CHECK)	ALL	53	EC405	ROCKER SWITCH CLR 12V 20A DPST	ALL
13	BC830	BURNER NIPPLE 1/2" x 3.00" SCH 80	ALL	54	ECF10	CIRCUIT BREAKER 15 AMP*	ALL
14	B0003	HG COIL CAP1 3/8"od x 14"od	ALL	55	ECH55	THERMOSTAT; 95-195f***	SH27003VH
15	FW225	WASHER 2.25" od 16 GA STAINLESS	ALL		ECH50	THERMOSTAT; 60-250 1 GP PART=25	SH30003HH
16	BN053	INSUL BLKT 50SQ' x 1/2" x 24" 8#25'	ALL	56	ECH72	KNOB; RED .25" x 1.50od	ALL
17	BN127	INSUL DISC RETAINER 13.3" DIA	ALL	57	HLB09	GROMET NOZZLE HOLDER***	ALL
18	B0100	COIL WRAP TOP 14" DUAL PASS SH	ALL	58	NQ300	NOZZLE/QDC 03 x 0	SH30003HH
19	B0104	COIL WRAP BOTTOM EXTENDED	ALL	59	NQ302	NOZZLE/QDC 03 x 15	ALL
20	BC140	COIL 1PK 14" (ASK FOR DUAL PASS)	ALL	60	NQ253	NOZZLE/QDC 025 x 25	SH30003HH
21	BN105	DISC RETAINER 12.5"od W/5" HOLE BURNER END	ALL	61	NQ970	NOZZLE/QDC 40.0 x 65	ALL
22	B0004	HG COIL CAP 4"od x 14"od	ALL	62	GLL10	LABEL GASOLINE ONLY	SH30003HH
23	BC222	COIL ASSEM 1PK SCH 80 SH SERIES DUAL PASS	ALL	63	GLL20	LABEL DIESEL FUEL ONLY	ALL
24	BU013	BURNER; BECKET 12V W/ SUPPORT	ALL	64	BF015	FUEL FILTER; INLINE	ALL
25	BZ150	FUEL NOZZLE 1.5 80B	SH27003VH	65	VG200	TRIGGER GUN, INSULATED 4000psi	ALL
	BZ175	FUEL NOZZLE 1.75 80B	SH30003HH	66	VW036	WAND 1/4" x 36" MOLDED GRIP 580	ALL
26	D0021	SCREEN WASHER GARDEN H A	SH30003HH	67	DQ04S	COUPLER 1/4" SOCK FEMALE	ALL
28	ECC07	RELAY; BURNER 12V DC (CAN TYPE)	ALL	68	DH050	HOSE 3/8" x 50' 3000psi 250F BL	ALL
29	HHA01	HEX MANI OUTLET 1/2" x 1/2" REEL	ALL	69	DC043	STREET ELL .25" STEEL	SH30003HH
30	D1082	PLUG 1/2" STEEL HEX HEAD FLUSH	ALL	70	DB510	NIPPLE 1/8 x 1/4 STEEL	SH27003VH
31	DE568	SWIVEL 3/8"F x 1/2"M STEEL	ALL	71	DC044	ELL 1/4 STEEL	SH27003VH
32	UPB05	ADAPTER FITTING BURST DISC	ALL	72	BZPT0	PROTEK VALVE, DELEVAN FUEL NO	SH27003VH
33	UPB80	BURST DISC 8000psi TORQUE 32-4	ALL	73	HL010	HAND GRIP 1in MX*	ALL
34	D1061	PLUG 3/8" STEEL HEX HEAD FLUSH	ALL	5025.0014.00		VALVE KIT FOR PC240 PUMP AXIAL	SH27003VH
35	ECH75	HEAVY DUTY BEND RESTICTOR-BLACK	ALL	5019.0078.00		SEAL KIT FOR PC240 PUMP AXIAL	SH27003VH
36	DC588	STREET ELL 1/2" STEEL	ALL		PGK23	VALVE KIT FOR PG303 GENERAL PUMP	SH30003HH
37	DB507	NIPPLE 3/8" x 1/2" STEEL	ALL		PHK88	SEAL KIT FOR PG303 GENERAL PUMP	SH30003HH
38	VS005	FLOW SWITCH 8 @ 4200 STS	ALL		ABMAV	OPERATION PACKET V LINE	ALL