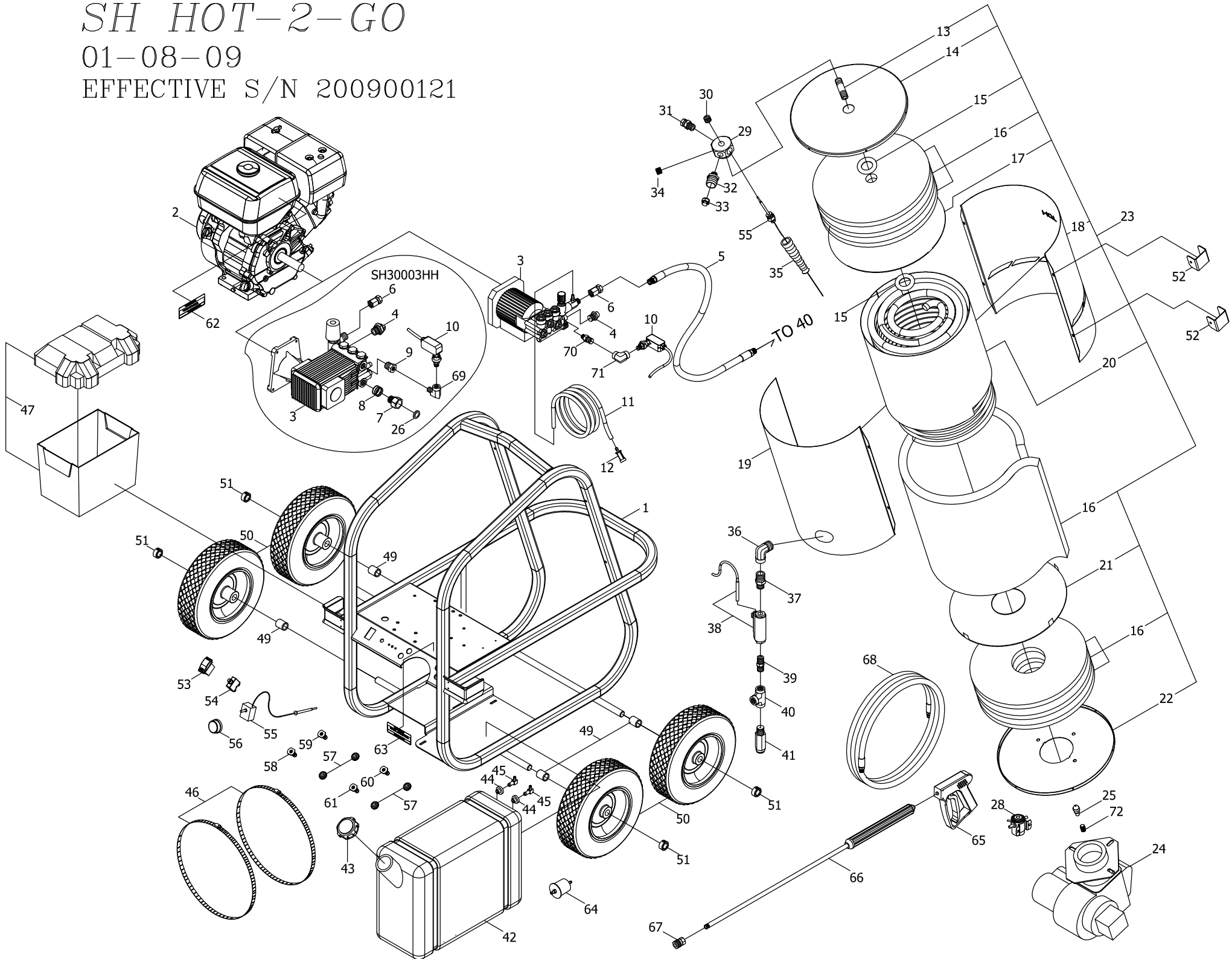


# SH HOT-2-GO

01-08-09

EFFECTIVE S/N 200900121



# SH HOT-2-GO PARTS LIST

01-08-09 EFFECTIVE S/N 200900121

|    |       |  |           |              |       |                                  |           |
|----|-------|--|-----------|--------------|-------|----------------------------------|-----------|
| 1  | HSH05 | FRAME ASSEM SH                             | ALL       | 39           | DB506 | NIPPLE 3/8" STEEL                | ALL       |
| 2  | MS065 | ENGINE GAS 6.5hp VANGUARD E/S              | SH27003VH | 40           | DE066 | TEE 3/8" STEEL                   | ALL       |
|    | MH009 | HONDA ENGINE 9.0HP HONDA PULL START        | SH30003HH | 41           | UP137 | PRESSURE RELIEF 3700psi BLACK    | ALL       |
| 3  | PC240 | PUMP 2.4@2400 AXIAL                        | SH27003VH | 42           | WT075 | FUEL TANK 7.5 DIESEL CLEAR*      | ALL       |
|    | PG303 | PUMP 3@3500 W/UNL/INJ 1" GAS               | SH30003HH | 43           | WT080 | FUEL CAP; DIESEL                 | ALL       |
| 4  | UPT45 | THERMAL DUMP VALVE 145f 3/8" MPT*          | ALL       | 44           | DFF04 | FUEL TANK BUSHING 1/4"           | ALL       |
| 5  | DH026 | HOSE 3/8" x 26.5" 5000PSI                  | ALL       | 45           | DFE04 | FUEL TANK ELL 1/4"               | ALL       |
| 6  | DE867 | SWIVEL 3/8"FP x 3/8" FPS                   | ALL       | 46           | FC074 | WORMGEAR CLAMP 2 1/2 x 13 1/4    | ALL       |
| 7  | D008M | GARDEN H A 1/2 NPT MALE                    | SH30003HH | 47           | HB100 | BATTERY BOX ATTWOOD G24 (LARGE)  | ALL       |
| 8  | D0010 | SPRING GARDEN H A                          | SH30003HH | 49           | HSC29 | SPACER-WHEEL (OPTION A)-HG/HD    | ALL       |
| 9  | DA064 | BUSHING 3/8 x 1/4 STEEL                    | SH30003HH | 50           | HT126 | WHEEL & TIRE STUD 12" 3/4" BORE  | ALL       |
| 10 | VS030 | PRESSURE SWITCH 4000 1/4"                  | ALL       | 51           | HC012 | COLLAR 3/4"                      | ALL       |
| 11 | DHB04 | TUBING; CLEAR BRAIDED 1/4"                 | ALL       | 52           | HSH10 | WAND BRACKET 14 GA STAINLESS     | ALL       |
| 12 | VF042 | STRAINER CHEM (NO CHECK)                   | ALL       | 53           | EC405 | ROCKER SWITCH CLR 12V 20A DPST   | ALL       |
| 13 | BC830 | BURNER NIPPLE 1/2" x 3.00" SCH 80          | ALL       | 54           | ECF10 | CIRCUIT BREAKER 15 AMP*          | ALL       |
| 14 | B0003 | HG COIL CAP1 3/8"od x 14"od                | ALL       | 55           | ECH55 | THERMOSTAT; 95-195f***           | SH27003VH |
| 15 | FW225 | WASHER 2.25" od 16 GA STAINLESS            | ALL       |              | ECH50 | THERMASTAT; 60-250 1 GP PART=25  | SH30003HH |
| 16 | BN053 | INSUL BLKT 50SQ' x 1/2" x 24" 8#25'        | ALL       | 56           | ECH72 | KNOB; RED .25" x 1.50od          | ALL       |
| 17 | BN127 | INSUL DISC RETAINER 13.3" DIA              | ALL       | 57           | HLB09 | GROMET NOZZLE HOLDER***          | ALL       |
| 18 | B0100 | COIL WRAP TOP 14" DUAL PASS SH             | ALL       | 58           | NQ300 | NOZZLE/QDC 03 x 0                | SH30003HH |
| 19 | B0104 | COIL WRAP BOTTOM EXTENDED                  | ALL       | 59           | NQ302 | NOZZLE/QDC 03 x 15               | ALL       |
| 20 | BC140 | COIL 1PK 14" (ASK FOR DUAL PASS)           | ALL       | 60           | NQ253 | NOZZLE/QDC 025 x 25              | SH30003HH |
| 21 | BN105 | DISC RETAINER 12.5"od W/5" HOLE BURNER END | ALL       | 61           | NQ970 | NOZZLE/QDC 40.0 x 65             | ALL       |
| 22 | B0004 | HG COIL CAP 4"od x 14"od                   | ALL       | 62           | GLL10 | LABEL GASOLINE ONLY              | SH30003HH |
| 23 | BC222 | COIL ASSEM 1PK SCH 80 SH SERIES DUAL PASS  | ALL       | 63           | GLL20 | LABEL DIESEL FUEL ONLY           | ALL       |
| 24 | BU013 | BURNER; BECKET 12V W/ SUPPORT              | ALL       | 64           | BF015 | FUEL FILTER; INLINE              | ALL       |
| 25 | BZ150 | FUEL NOZZLE 1.5 80B                        | SH27003VH | 65           | VG200 | TRIGER GUN, INSULATED 4000psi    | ALL       |
|    | BZ175 | FUEL NOZZLE 1.75 80B                       | SH30003HH | 66           | VW036 | WAND 1/4" x 36" MOLDED GRIP 580  | ALL       |
| 26 | D0021 | SCREEN WASHER GARDEN H A                   | SH30003HH | 67           | DQ04S | COUPLER 1/4" SOCK FEMALE         | ALL       |
| 28 | ECC07 | RELAY; BURNER 12V DC (CAN TYPE)            | ALL       | 68           | DH050 | HOSE 3/8" x 50' 3000psi 250F BL  | ALL       |
| 29 | HHA01 | HEX MANI OUTLET 1/2" x 1/2" REEL           | ALL       | 69           | DC043 | STREET ELL .25" STEEL            | SH30003HH |
| 30 | D1082 | PLUG 1/2" STEEL HEX HEAD FLUSH             | ALL       | 70           | DB510 | NIPPLE 1/8 x 1/4 STEEL           | SH27003VH |
| 31 | DE568 | SWIVEL 3/8"F x 1/2"M STEEL                 | ALL       | 71           | DC044 | ELL 1/4 STEEL                    | SH27003VH |
| 32 | UPB05 | ADAPTER FITTING BURST DISC                 | ALL       | 72           | BZPT0 | PROTEK VALVE, DELEVAN FUEL NO    | SH27003VH |
| 33 | UPB80 | BURST DISC 8000psi TORQUE 32-4             | ALL       | 5025.0014.00 |       | VALVE KIT FOR PC240 PUMP AXIAL   | SH27003VH |
| 34 | D1061 | PLUG 3/8" STEEL HEX HEAD FLUSH             | ALL       | 5019.0078.00 |       | SEAL KIT FOR PC240 PUMP AXIAL    | SH27003VH |
| 35 | ECH75 | HEAVY DUTY BEND RESTICTOR-BLACK            | ALL       |              | PGK23 | VALVE KIT FOR PG303 GENERAL PUMP | SH30003HH |
| 36 | DC588 | STREET ELL 1/2" STEEL                      | ALL       |              | PHK88 | SEAL KIT FOR PG303 GENERAL PUMP  | SH30003HH |
| 37 | DB507 | NIPPLE 3/8" x 1/2" STEEL                   | ALL       |              | ABMAV | OPERATION PACKET V LINE          | ALL       |
| 38 | VS005 | FLOW SWITCH 8 @ 4200 STS                   | ALL       |              |       |                                  |           |