

Portable Generators



{Hand Carry/Portable}

Inverters 1700 - 3200 - 4300 Maximum Wattage

Get clean, quiet, high-power output with a Mi-T-M inverter!
A perfect fit for the recreational vehicle industry.



GEN-1700-iMSO



GEN-4300-iMSO

Additional Features:

- ✓ Low oil shutdown engine
- ✓ **Inverter technology** reduces size, weight, noise and fuel consumption
- ✓ **Inverter technology** produces commercial quality AC power for sensitive electronic equipment
- ✓ Idle control
- ✓ Special vibration control and low-tone mufflers further reduce noise
- ✓ Battery charging
- ✓ Fuel shutoff valve
- ✓ USDA/USFS-approved spark arrestors
- ✓ Circuit breaker protected
- ✓ Meets CARB and EPA emission standards

3200- & 4300-Watt Additional Features:

- ✓ Sound reducing materials are highly fire-resistant
- ✓ Roll cage design with four (4) wheels
- ✓ Fuel gauge
- ✓ Electric start (battery not included)
- ✓ Voltmeter/hour meter
- ✓ RV application advantage - will run an air conditioner unit (15,000-BTU), refrigerator and microwave (3200-watt model)*
- ✓ RV application advantage - will run an air conditioner unit (15,000-BTU), refrigerator and microwave plus interior lights (4300-watt model)*

**Based on tests conducted on a 2005 5th-wheel camper. Test results are available. Individual test results could vary depending on condition and efficiency of appliance.*

Double-wall acoustical housing - damping panel and resin panel reduces both high and low

Unique soundproof panels reduce noise (1700 watt model)

frequency noise (3200- & 4300-watt models)

Easy-grip frame design maximizes ease of handling (1700 watt model)

Portable Generators

Specifications:

Model #	GEN-1700-iMSO	GEN-3200-iMSO	GEN-4300-iMSO
Max. AC output	1,650 watts	3,200 watts	4,300 watts
Rated AC output	1,350 watts	2,800 watts	3,800 watts
HP/Displacement	2.8/86 cc	7.0/211 cc	9.0/265 cc
Engine	Subaru OHV	Subaru OHC	Subaru OHC
Frequency/Voltage	60Hz/120V	60Hz/120V	60Hz/120V
Max. amps (120V)	13.8	26.7	35.8
Cont. amps (120V)	11.2	23.3	31.7
Receptacles	120V, 20A GFCI duplex	120V, 20A GFCI duplex 120V, 30A twist lock	120V, 20A GFCI duplex 120V, 30A twist lock
Main circuit breaker	Electronic circuit protection	Electronic circuit protection	Electronic circuit protection
Rated speed	4,200 RPM	3,600 RPM	3,600 RPM
Decibel rating	59.0	58.0	62.0
Fuel capacity	1.1 gallon	3.7 gallon	4.2 gallon
Run time (at full load)	3.5 hours	5.5 hours	5.6 hours
Dim. (LxWxH)	19.3in.x11.6in.x17.5in.	21in.x18.9in.x22.9in.	22.8in.x20.7in.x24.3in.
Shipping weight	55 lbs.	143 lbs.	174 lbs.
Net weight	44.5 lbs.	131 lbs.	162 lbs.

Inverter generator ratings represent no-load sound levels. Rating represents minimum noise level rating.



GFCI 5-20R



L5-30R
125 VAC



Options:

32-0915

RV Generator Adapter - 30A/125V female/male; use to connect RV cordsets to 30A generators

Model #	32-0915
GEN-1700-iMSO	
GEN-3200-iMSO	●
GEN-4300-iMSO	●



1100 - 2500 - 3000 Maximum Wattage

These compact generators pack a lot of power! The NEW larger fuel tank model permits extended-run times for optimized operational efficiency.



Large low-tone mufflers to reduce noise to lowest level possible

Easy-access and protected control panel with magnetic circuit breaker and GFCI-protected receptacle



Heavy-duty wraparound frame with 1-inch powder coated steel tubing (2500- & 3000-watt models)



GEN-1100-OMSO



GEN-3000-1MH0 features larger fuel tank for extended run times

GEN-3000-1MH0

Additional Features:

- ✓ Low oil shutdown engine
- ✓ Brushless 120V alternator
- ✓ Fuel shutoff valve
- ✓ USDA/USFS-approved spark arrestors
- ✓ Circuit breaker protected
- ✓ Meets CARB & EPA emission standards

2500- & 3000-Watt Additional Features:

- ✓ Angled isolator design features four (4) neoprene isolators
- ✓ Low profile, compact design
- ✓ Large fuel tank capacity for extended run time (GEN-3000-1MH0)
- ✓ Heavy-duty industrial air cleaners hold up under the dustiest conditions

1100-Watt Additional Features:

- ✓ Battery charging
- ✓ Optimum cooling system and silent muffler provide quiet operation
- ✓ Easy-grip frame design maximizes ease of handling
- ✓ Unique soundproof panels reduce noise
- ✓ Removable side panels for easy maintenance

Portable Generators

Specifications:

Model #	GEN-1100-OMSO	GEN-2500-OMSO	GEN-3000-OMHO	GEN-3000-1MH0
Max. AC output	1,100 watts	2,500 watts	3,000 watts	3,000 watts
Rated AC output	900 watts	2,200 watts	2,450 watts	2,450 watts
HP/Displacement	2.0/86 cc	4.5/126 cc	5.5/163 cc	5.5/163 cc
Engine	Subaru OHV	Subaru OHC	Honda OHV	Honda OHV
Frequency/Voltage	60Hz/120V	60Hz/120V	60Hz/120V	60Hz/120V
Max. amps (120V)	9.2	20.8	25.0	25.0
Cont. amps (120V)	7.5	18.3	20.4	20.4
Receptacle	120V, 20A GFCI duplex	120V, 20A GFCI duplex	120V, 20A GFCI duplex	120V, 20A GFCI duplex
Main circuit breaker	Electronic circuit protection	20A push-button	20A push-button	20A push-button
Rated speed	3,600 RPM	3,600 RPM	3,600 RPM	3,600 RPM
Decibel rating	59.0	72.4	74.8	74.8
Fuel capacity	0.93 gallon	0.70 gallon	1.0 gallon	2.6 gallon
Run time (at full load)	3.5 hours	2.0 hours	2.7 hours	7.4 hours
Dim. (LxWxH)	19.3in.x11.6in.x17.5in.	25.7in.x17in.x16in.	25.7in.x17in.x16in.	25in.x18in.x18in.
Shipping weight	64 lbs.	125 lbs.	125 lbs.	125 lbs.
Net weight	45.2 lbs.	111 lbs.	111 lbs.	111 lbs.



GFCI 5-20R

Noise level tested at seven meters (75% load). Rating represents minimum noise level rating.



CSA Certified:
GEN-2500-OMSO
GEN-3000-OMHO
GEN-3000-1MH0

{Portable}

4000 - 5000 Maximum Wattage

The low profile, compact design is an excellent choice for any industrial application.



GEN-4000-OMHO



GEN-5000-OMSO shown with optional lifting hook (AW-5090-0003)

Additional Features:

- ✓ Low oil shutdown engine
- ✓ Brushless 120V/240V alternator
- ✓ Fuel shutoff valve
- ✓ Easy-to-read fuel gauge
- ✓ Full power switch
- ✓ Angled isolator design features four (4) neoprene isolators
- ✓ USDA/USFS-approved spark arrestors
- ✓ Circuit breaker protected
- ✓ Meets CARB and EPA emission standards
- ✓ Low profile, compact design
- ✓ Fuel tanks are powder coated outside, zinc-plated inside to prevent rusting
- ✓ Heavy-duty industrial air cleaners hold up under the dustiest conditions

Easy-access and protected control panel with magnetic circuit breakers and GFCI-protected receptacles



Large low-tone mufflers to reduce noise to lowest levels possible



Heavy-duty wraparound frame with 1-inch powder coated steel tubing

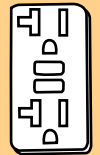


Lifting hook folds down and out of the way when not in use.

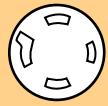
Portable Generators

Specifications:

Model #	GEN-4000-OMHO	GEN-4000-OMSO	GEN-5000-OMSO
Max. AC output	4,000 watts	4,000 watts	5,000 watts
Rated AC output	3,500 watts	3,500 watts	4,400 watts
HP/Displacement	8.0/242 cc	7.0/211 cc	9.0/265 cc
Engine	Honda OHV	Subaru OHC	Subaru OHC
Frequency/Voltage	60Hz/120V/240V	60Hz/120V/240V	60Hz/120V/240V
Max. amps (120V/240V)	33.3/16.7	33.3/16.7	41.7/20.8
Cont. amps (120V/240V)	29.2/14.6	29.2/14.6	36.7/18.3
Receptacles	(2) 120V, 20A GFCI duplex 120V/240V, 20A twist lock 120V, 30A twist lock	(2) 120V, 20A GFCI duplex 120V/240V, 20A twist lock 120V, 30A twist lock	(2) 120V, 20A GFCI duplex 120V/240V, 20A twist lock 120V, 30A twist lock
Circuit breakers	(2) 20A toggle circuit breaker, single pole 20A toggle circuit breaker, double pole 30A toggle circuit breaker, single pole	(2) 20A toggle circuit breaker, single pole 20A toggle circuit breaker, double pole 30A toggle circuit breaker, single pole	(2) 20A toggle circuit breaker, single pole 20A toggle circuit breaker, double pole 30A toggle circuit breaker, single pole
Rated speed	3,600 RPM	3,600 RPM	3,600 RPM
Decibel rating	75.7	74.0	73.8
Fuel capacity	5.7 gallon	5.7 gallon	5.7 gallon
Run time (at full load)	9.3 hours	9.3 hours	6.8 hours
Dim. (LxWxH)	29in.x19.75in.x22.5in.	29in.x19.75in.x22.5in.	29in.x19.75in.x22.5in.
Shipping weight	164 lbs.	168 lbs.	198 lbs.
Net weight	142 lbs.	146 lbs.	176 lbs.



GFCI 5-20R



L14-20R
125/250V



L5-30R
125 VAC

Noise level tested at seven meter (75% load). Rating represents minimum noise level rating.

Options:

- 32-0915 RV Generator Adapter - 30A/125V female/male; use to connect RV cordsets to 30A generators
- AW-5090-0003 Lifting hook - For easier portability, folds down and out of the way when not in use
- AW-5740-0003 Wheel kit - For easier mobility, pneumatic tires with tubes, rubber gripped handles
- GX-0004 Hour meter - Displays number of hours the unit has been in operation

Model #	32-0915	AW-5090-0003	AW-5740-0003	GX-0004
All Models	●	●	●	●



6000 - 7500 - 8000 Maximum Wattage

Designed, manufactured and tested in the Mi-T-M quality tradition, this unit is well-suited for the serious contractor with multiple voltage application requirements and additional power needs.



GEN-6000-OMSE shown with electric start and optional wheel kit (AW-5740-0004)



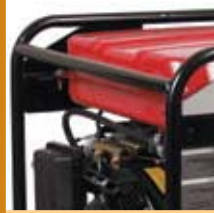
GEN-7500-OMHO



Large low-tone mufflers to reduce noise to lowest level possible



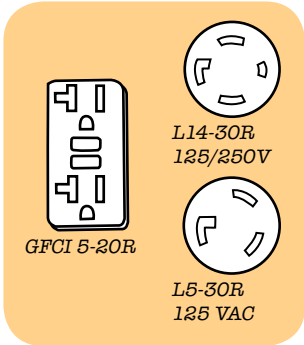
Easy-access and protected control panel with magnetic circuit breaker and GFCI-protected receptacle



Heavy-duty wraparound frame with 1-inch powder coated steel tubing

Additional Features:

- ✓ Low oil engine shutdown
- ✓ Electric start available (battery included)
- ✓ Brushless 120V/240V alternator
- ✓ Fuel shutoff valve
- ✓ Easy-to-read fuel gauge
- ✓ Voltmeter/hour meter
- ✓ Idle control
- ✓ Angled isolator design features four (4) neoprene isolators
- ✓ USDA/USFS-approved spark arrestors
- ✓ Circuit breaker protected
- ✓ Meets CARB and EPA emission standards
- ✓ Low profile, compact design
- ✓ Fuel tanks are powder coated outside, zinc-plated inside to prevent rusting
- ✓ Heavy-duty industrial air cleaners hold up under the dustiest conditions



Portable Generators

Specifications:

Model #	GEN-6000-OMHO*	GEN-6000-OMSO*	GEN-7500-OMHO*	GEN-8000-OMSO*
Max. AC output	6,000 watts	6,000 watts	7,500 watts	8,000 watts
Rated AC output	5,000 watts	5,000 watts	6,500 watts	6,900 watts
HP/Displacement	13.0/389 cc	13.5/404 cc	13.0/389 cc	13.5/404 cc
Engine	Honda OHV	Subaru OHV	Honda OHV	Subaru OHV
Frequency/Voltage	60Hz/120V/240V	60Hz/120V/240V	60Hz/120V/240V	60Hz/120V/240V
Max. amps (120V/240V)	50.0/25.0	50.0/25.0	62.5/31.25	66.7/33.3
Cont. amps (120V/240V)	41.7/20.8	41.7/20.8	54.2/27.1	57.5/28.75
Receptacles	(2) 120V, 20A GFCI duplex 120V/240V, 20A twist lock 120V, 30A twist lock	(2) 120V, 20A GFCI duplex 120V/240V, 20A twist lock 120V, 30A twist lock	(2) 120V, 20A GFCI duplex 120V, 30A twist lock 120V/240V, 30A twist lock	(2) 120V, 20A GFCI duplex 120V, 30A twist lock 120V/240V, 30A twist lock
Circuit breakers	(2) 20A toggle circuit breaker, single pole (2) 20A toggle circuit breaker, double pole 30A toggle circuit breaker, single pole	(2) 20A toggle circuit breaker, single pole (2) 20A toggle circuit breaker, double pole 30A toggle circuit breaker, single pole	(2) 20A toggle circuit breaker, single pole 30A toggle circuit breaker, single pole 30A toggle circuit breaker, double pole	(2) 20A toggle circuit breaker, single pole 30A toggle circuit breaker, single pole 30A toggle circuit breaker, double pole
Rated speed	3,600 RPM	3,600 RPM	3,600 RPM	3,600 RPM
Decibel rating	77.1	77.4	80.0	78.2
Fuel capacity	7.3 gallon	7.3 gallon	7.3 gallon	7.3 gallon
Run time (at full load)	8.0 hours	7.9 hours	6.9 hours	6.7 hours
Dim. (LxWxH)	29in.x24.4in.x22.5in.	29in.x24.4in.x22.5in.	29in.x24.4in.x22.5in.	29in.x24.4in.x22.5in.
Shipping weight	232 lbs.	233 lbs.	255 lbs.	245 lbs.
Net weight	210 lbs.	211 lbs.	233 lbs.	223 lbs.

*Available with electric start - battery included.
Noise level tested at seven meters (75% load). Rating represents minimum noise level rating.

Options:

32-0915 RV Generator Adapter - 30A/125V female/male; use to connect RV cordsets to 30A generators

AW-5090-0004 Lifting hook - For easier portability, folds down and out of the way when not in use

AW-5740-0004 Wheel kit - For easier mobility, pneumatic tires with tubes, rubber gripped handles

Model #	32-0915	AW-5090-0004	AW-5740-0004
All Models	●	●	●



{Portable}

12000 - 13000 Maximum Wattage

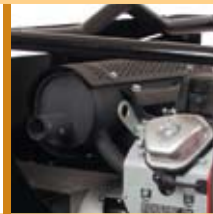
State-of-the-art design features combined with a whopping 13000 maximum wattage allows contractors with "portable power plant" requirements to get the job done efficiently.

Additional Features:

- ✓ Low oil shutdown engine with electric start (battery included)
- ✓ Brushless 120V/240V alternator
- ✓ Idle control
- ✓ Easy-to-read fuel gauge
- ✓ Voltmeter/hour meter
- ✓ USDA/USFS-approved spark arrestors
- ✓ Circuit breaker protected
- ✓ Meets CARB and EPA emission standards
- ✓ Solid steel threaded axles
- ✓ Pneumatic tires with tubes (4)
- ✓ Fuel tanks are powder coated outside, zinc-plated inside to prevent rusting
- ✓ Heavy-duty industrial air cleaners hold up under the dustiest conditions



GEN-12000-0MHE



Large low-tone mufflers to reduce noise to lowest levels possible



Easy-access and protected control panel with magnetic circuit breakers and GFCI-protected receptacles



Reinforced 1.25-inch powder coated steel tube frame with center balanced lifting hook

Portable Generators

Specifications:

Model #	GEN-12000-0MHE	GEN-13000-0MSE
Max. AC output	12,000 watts	13,000 watts
Rated AC output	10,000 watts	11,500 watts
HP/Displacement	20.0/620 cc	22.0/650 cc
Engine	Honda OHV	Subaru OHV
Frequency/Voltage	60Hz/120V/240V	60Hz/120V/240V
Max. amps (120V/240V)	100.0/50.0	108.3/54.2
Cont. amps (120V/240V)	83.3/41.7	95.8/47.9
Receptacles	(3) 120V, 20A GFCI duplex 120V, 30A twist lock 120V/240V, 30A twist lock 120V/240V, 50A	(3) 120V, 20A GFCI duplex 120V, 30A twist lock 120V/240V, 30A twist lock 120V/240V, 50A
Circuit breakers	(3) 20A toggle circuit breaker, single pole 30A toggle circuit breaker, single pole 30A toggle circuit breaker, double pole 50A toggle circuit breaker, double pole	(3) 20A toggle circuit breaker, single pole 30A toggle circuit breaker, single pole 30A toggle circuit breaker, double pole 50A toggle circuit breaker, double pole
Rated speed	3,600 RPM	3,600 RPM
Decibel rating	74.9	77.5
Fuel capacity	11.5 gallon	11.5 gallon
Run time (at full load)	7.5 hours	7.5 hours
Dim. (LxWxH)	42.6in.x29.2in.x39.4in.	42.6in.x29.2in.x39.4in.
Shipping weight	540 lbs.	603 lbs.
Net weight	476 lbs.	539 lbs.



GFCI 5-20R



14-50R
50A



L14-30R
125/250V



L5-30R
125 VAC



GX-0005
CS6369A
50 Amp twist
lock receptacle

Noise level tested at seven meter (75% load). Rating represents minimum noise level rating.

Options:

- 32-0915 RV Generator Adapter - 30A/125V female/male; use to connect RV cordsets to 30A generators
- GX-0003 Skid feet - For stationary applications
- GX-0005 50 Amp twist lock receptacle - Marine receptacle; for routine marine applications
- TX-1304-W Puncture-proof tires - Tires are flat-free, maintenance-free and non-marking, 13-inch, white hub, four tires

Model #	32-0915	GX-0003	GX-0005	TX-1304-W
All Models	●	●	●	●



Finding the Right Generator

To select an engine-driven generator, you'll need to determine the power (kilowatt) requirements which must be met under operating conditions.

Undersizing the generator can be avoided by considering all of the loads that will be connected to the generator, and by determining the starting requirements (motor start) of electric motor-operated devices.

Be sure the generator you select is large enough to handle your present requirements and anticipated needs.

To determine the right size generator, add up the total watts of all lights, appliances, tools, or other equipment to be connected to the generator.

Check the nameplates to determine wattage. If wattage is not shown, but amps and volts are given, the following simplified formula may be used:

$$\text{Amps} \times \text{Volts} = \text{Watts}$$

(Ex. 12.5 amps x 120 volts = 1,500 watts)

To determine kilowatts (kW), use the following formula:

$$1,000 \text{ Watts} = 1 \text{ Kilowatt}$$

(Ex. 1,500 Watts/1,000 = 1.5 kW)

Charts 1, 2, and 3 shown will help you in selecting the proper size generator. With lights, heaters, and small appliances, simply add the nameplate ratings or see Chart 1 for average wattage requirements. For portable electric tools and equipment, check the nameplate rating or use Chart 2 for average requirements. If watts and/or amps are not given and only the horsepower is shown, use Chart 3 to determine the starting and running watts.

Chart 4 is furnished as a guide for selecting the proper size of insulated copper wire when extension cables are used. We recommend the use of outdoor-rated (U.L.) cable, recognized type SJTW-A.

Chart 1: Home applications – approximate wattage requirements

Equipment	Wattage
Air conditioner (10,000 BTU)	2,000–3,000
Blanket, electric	150
Broiler	1,400
Clothes dryer, electric	5,000–10,000
Coffee maker	850
Dishwasher	1,500–2,500
Fan, attic	375
Fan, furnace	800–1,200
Fan, window	200
Freezer, food	300–500
Heater, radiant	1,300
Hot plate	1,250
Refrigerator/freezer	600–2,000
Sump pump	400–3,000
Toaster	1,100–1,700
TV, color	100–350
Water heater	3,000–4,500
Water pump	1,000–3,000

Chart 2: Portable electric tools – approximate wattage requirements

Equipment	Wattage	Equipment	Wattage
Blower, electric	½–3 hp	Pump, electric	½ hp and up
Compressors	¼–3 hp	Routers	900–1,100
Concrete vibrators, ¾-hp	840	Sanders, belt	600–1,500
Concrete vibrators, 1-hp	1,080	Sanders, disc	1,200
Concrete vibrators, 2-hp	1,560	Sanders, orbital	250
Concrete vibrators, 3-hp	2,400	Saws, chain	800–1,500
Drain cleaners	250	Saws, circular, 6-inch	1,000–2,500
Drills, ¼-inch	250–600	Saws, cutoff	2,500
Drills, ½-inch	300–600	Saws, jig	200–800
Drills, ¾-inch	350–1,200	Saws, masonry	2–5 hp
Drills, 1-inch	1,000	Saws, radial arm	1–5 hp
Grinders, bench	¼–1 hp	Saws, table	1–3 hp
Grinders, portable	1,000–2,500	Screwdrivers	550
Hammers, demolition	1,260	Shears, metal-cutting	750
Hammers, rotary	1,200	Wrenches, impact, ½-inch	600
Heaters, space	¼–2 hp	Wrenches, impact, ¾-inch	720
Lights	check wattage on bulb	Wrenches, impact, 1-inch	1,200

Chart 3: Motor starting requirements

Motor (hp)	Running watts	Watts required to start motor		
		Repulsion induction	Capacitor	Split phase
¼	275	600	850	1,200
½	275	600	850	2,050
¾	400	850	1,050	2,400
1	450	975	1,350	2,700
1½	600	1,300	1,800	3,600
2	850	1,900	2,600	—
3	1,100	2,500	3,300	—

Chart 4: Insulated copper wire size

Current in amperage	Load in watts		Maximum allowable cable length							
	at 120 volts	at 240 volts	#4 wire	#6 wire	#8 wire	#10 wire	#12 wire	#14 wire	#16 wire	#18 wire
2.5	300	600	—	—	—	1,000	600	375	250	150
5.0	600	1,200	—	—	—	500	300	200	125	75
7.5	900	1,800	—	—	—	330	200	125	80	50
10.0	1,200	2,400	—	625	400	250	150	100	50	35
15.0	1,800	3,600	650	400	265	165	100	50	—	—
20.0	2,400	4,800	500	300	200	125	80	—	—	—
25.0	3,000	6,000	400	250	150	100	—	—	—	—
30.0	3,600	7,200	325	200	125	—	—	—	—	—
35.0	4,200	8,400	275	175	100	—	—	—	—	—
40.0	4,800	9,600	250	150	—	—	—	—	—	—
45.0	5,400	10,800	225	—	—	—	—	—	—	—
50.0	6,000	12,000	200	—	—	—	—	—	—	—

Generator Accessories

Portable Generators

A.



B.



C.



D.



A. Lifting Hooks

For easier portability.

AW-5090-0003 (Fits 4000- to 5000-watt models)

AW-5090-0004 (Fits 6000- to 8000-watt models)

- Made with 1/4-inch powder coated steel
- Bolts to generator with U-bolts
- Folds down and out of the way when not in use

B. Wheel Kits

For easier mobility.

AW-5740-0003 (Fits 4000- to 5000-watt models)

AW-5740-0004 (Fits 6000- to 8000-watt models)

- (2) 10-inch pneumatic tires with tubes
- Dual rubber isolator feet
- Powder coated and rubber gripped handles for comfort

C. Puncture-Proof Tires

These tires are flat-free, maintenance-free and non-marking.

TX-1304-W (Four tires)

- 13-inch tire
- White hub
- Consult factory before ordering

D. RV Generator Adapter

Use the RV generator adapter to connect RV cordsets to 30A generators.

32-0915 (Fits generators 3200-watts and higher)

- 30A/125V female/male