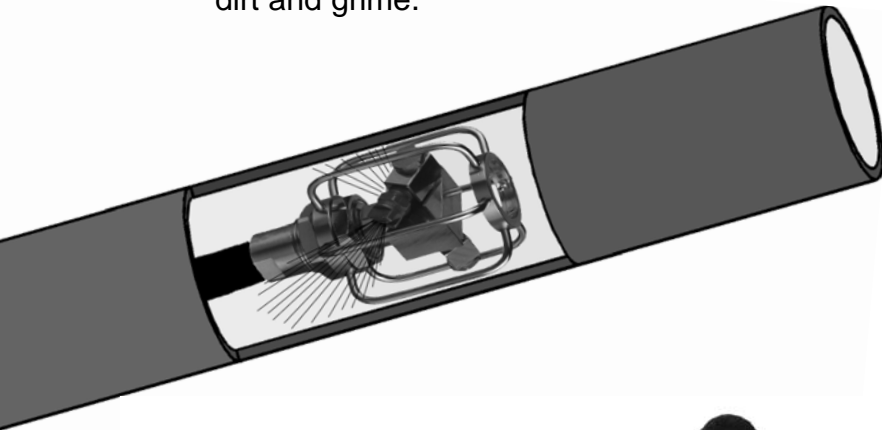




CLEANING EQUIPMENT

The complete stainless versions of these various cleaning units are specially designed for use with water and cleaning additive at high r.p.m. Use MOSMATIC cleaning equipment as accessories for hot/cold water high pressure pumps to efficiently remove dirt and grime.



Duct-Cleaner	<i>illustration</i>	TXR	17
Duct-Cleaner	<i>fixed, ø3"- ø24"</i>	TXR-f	18-19
Duct-Cleaner	<i>adjustable, ø3"- ø24"</i>	TXR-s	20-21
Duct-Cleaner	<i>with rotor guard ø2"</i>	TXR-50	22
Nozzles			23
Turbo-Cleaner	<i>ø12"/ø21" with wand</i>	TCD	24
Turbo-Cleaner	<i>ø21" with handle</i>	TCG	25
Turbo-Cleaner	<i>illustration ø8"/ø12"</i>	TCL / TCB	26
Toggle Joint	<i>adjustable</i>	KGK	27
Turbo-Cleaner	<i>ø8"/ø12" with brush</i>	TCL-B	28
Turbo-Cleaner	<i>ø8"/ø12" with rim guard</i>	TCL-K	29
Turbo-Cleaner-Basic	<i>ø8"/ø12" with brush</i>	TCB-B	30
Turbo-Cleaner-Basic	<i>ø8"/ø12" with rim guard</i>	TCB-K	31
Turbo-Rotor-Arm	<i>height 2.3" fixed</i>	TUA-h	32
Turbo-Rotor-Arm	<i>height 0.95" fixed</i>	TUA-f	33
Turbo-Rotor-Arm	<i>height 0.95" fixed</i>	TUA-w	34



DUCT CLEANER

for 2 or 3 Nozzles

New with ceramic swivel (also available with regular swivel)



TXR-3"-fixed



TXR-12"-fixed



TXR-6"-fixed



TXR-6"-adjustable



TXR-12"-adjustable



TXR-3"-adjustable



DUCT CLEANER *fixed*

self-rotating

rotor guard

for 2 Nozzles 1/8" NPT

TXR-2f

stainless

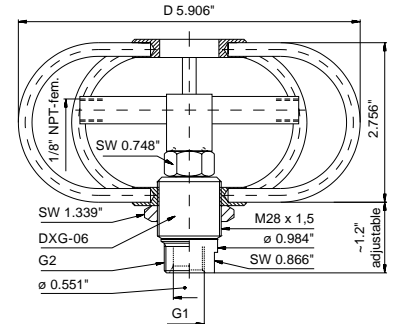
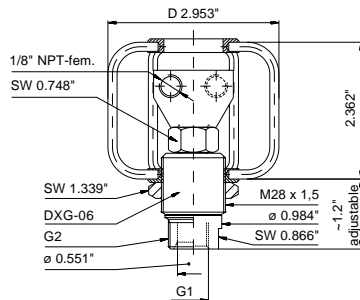
MOSMATIC Duct Cleaner TXR as an accessory for High Pressure Cleaners and High Pressure Pumps for the **quick** and **easy** cleaning of:

- Ducts
- Vents
- Pipes
- Kegs
- Chutes
- Chimneys
- Gutters
- etc.

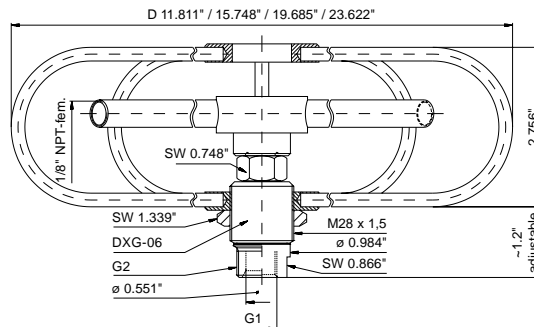
New with ceramic swivel

DUCT CLEANER TXR-2f

Part No.	D	G1 female thread	Weight
81.405	3"	1/4" NPT fem.	16 oz.
81.425	6"	1/4" NPT fem.	28 oz.
81.455	12"	1/4" NPT fem.	40 oz.
81.465	16"	1/4" NPT fem.	47 oz.
81.475	20"	1/4" NPT fem.	55 oz.
81.485	24"	1/4" NPT fem.	64 oz.



Part No.	D	G1 female thread	Weight
81.406	3"	3/8" NPT fem.	16 oz.
81.426	6"	3/8" NPT fem.	28 oz.
81.456	12"	3/8" NPT fem.	39 oz.
81.466	16"	3/8" NPT fem.	47 oz.
81.476	20"	3/8" NPT fem.	55 oz.
81.486	24"	3/8" NPT fem.	63 oz.

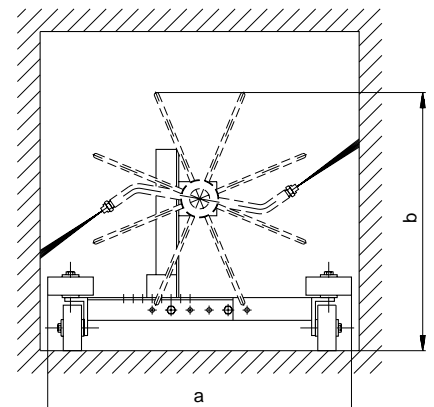
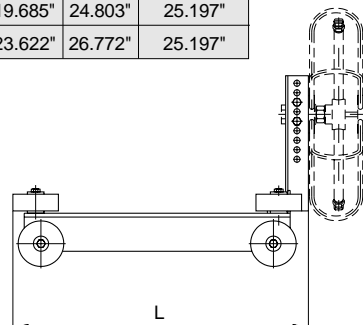


Other versions or sizes upon request

Accessories

TXR Mobile stainless steel							
Part No.	TXR Mobile	D	a (min.)	a (max.)	b (min.)	b (max.)	L = length
81.902	small	12"	11.811"	17.717"	11.811"	14.173"	15.354"
		16"	15.748"	17.717"	15.748"	16.142"	15.354"
81.903	large	20"	19.685"	33.465"	19.685"	24.803"	25.197"
		24"	23.622"	33.465"	23.622"	26.772"	25.197"

- Nozzles are not included
- for Nozzles see page 23
- for illustration see page 17
- important: do not use without protection



Technical Data

Throughput Medium:	water, cleaning additive pH 3-12	Body DXG:	brass, nickel plated
Pressure:	4000 psi	Head:	brass, nickel plated
Temperature:	40°F - 250°F	Rotor Guard:	stainless steel
R.P.M.:	2000 r.p.m.	Weight:	see chart
Flow Rate:	depending on pump performance	Nominal Width:	NW 1/4"

Legend

D = diameter, G = metric gas pipe thread, k = conical, L = length, M = metric thread, Quick-conn. = connects, NW = nominal width, SW = wrench size



81.902	small	12"	11.811"	17.717"	11.811"	14.173"	15.354"
		16"	15.748"	17.717"	15.748"	16.142"	15.354"
81.903	large	20"	19.685"	33.465"	19.685"	24.803"	25.197"
		24"	23.622"	33.465"	23.622"	26.772"	25.197"



MOSMATIC

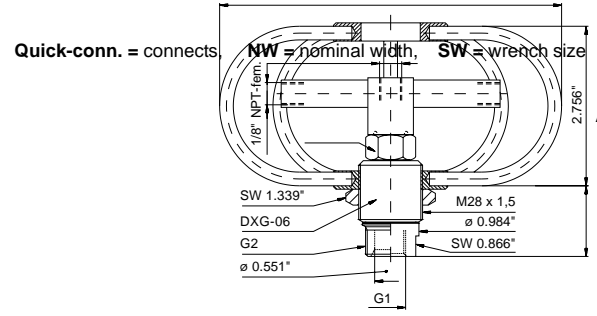
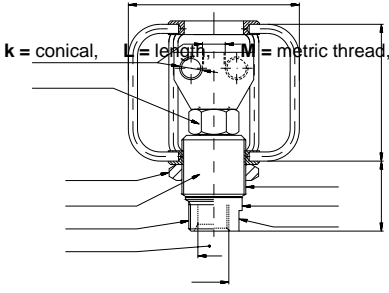
* Models are not included

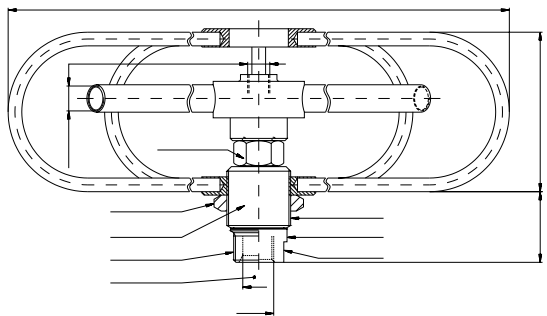
Technical Data

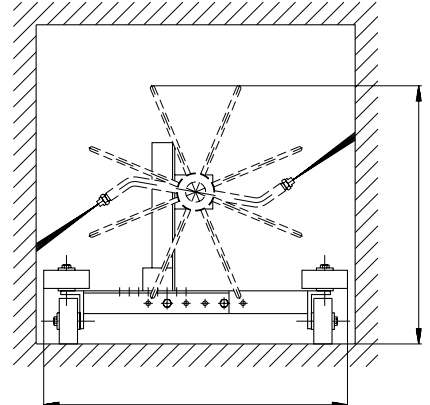
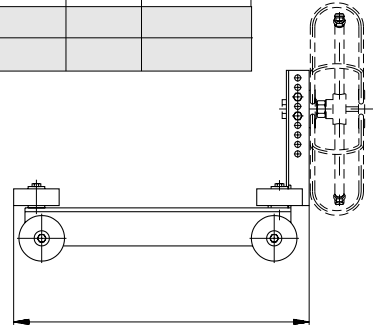
Throughput Medium: water, cleaning additive pH 3-12
Pressure: 4000 psi
Temperature: 40°F - 250°F
R.P.M.: 2000 r.p.m.
Flow Rate: depending on pump performance

Body DXG: brass, nickel plated
Head: brass, nickel plated
Rotor Guard: stainless steel
Weight: see chart
Nominal Width: NW 1/4"

Legend	
D = diameter,	G = metric gas pipe thread,







--	--

--





DUCT CLEANER *adjustable*

TXR-2s

self-rotating

rotor guard

for 2 Nozzles 1/8"NPT

stainless

MOSMATIC Duct Cleaner TXR as an accessory for High Pressure Cleaners and High Pressure Pumps for the **quick** and **easy** cleaning of:

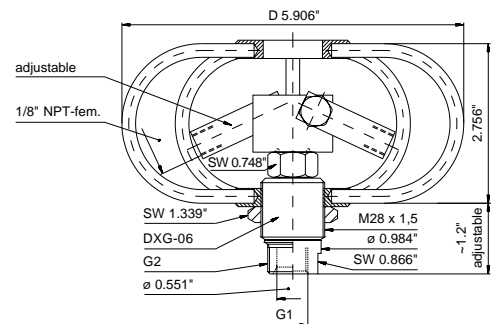
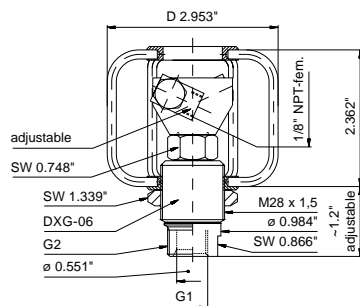
- Ducts
- Vents
- Pipes
- Kegs
- Chutes
- Chimneys
- Gutters
- etc.

"self - feeding" (Recoil forces facilitate forward propulsion)

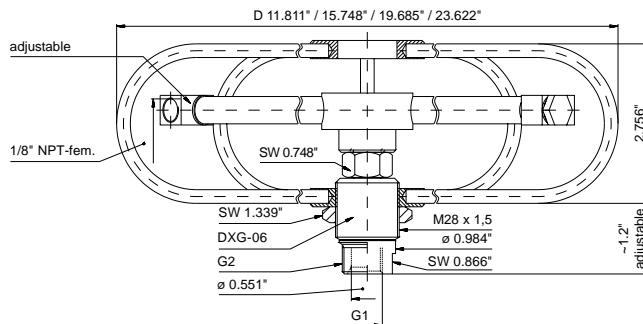
New with ceramic swivel

DUCT CLEANER TXR-2s

Part No.	D	G1 female thread	Weight
81.505	3"	1/4" NPT fem.	16 oz.
81.525	6"	1/4" NPT fem.	28 oz.
81.555	12"	1/4" NPT fem.	40 oz.
81.565	16"	1/4" NPT fem.	47 oz.
81.575	20"	1/4" NPT fem.	55 oz.
81.585	24"	1/4" NPT fem.	64 oz.



Part No.	D	G1 female thread	Weight
81.506	3"	3/8" NPT fem.	16 oz.
81.526	6"	3/8" NPT fem.	28 oz.
81.556	12"	3/8" NPT fem.	39 oz.
81.566	16"	3/8" NPT fem.	47 oz.
81.576	20"	3/8" NPT fem.	55 oz.
81.586	24"	3/8" NPT fem.	63 oz.

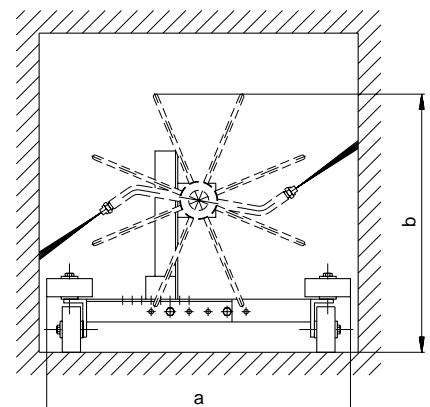
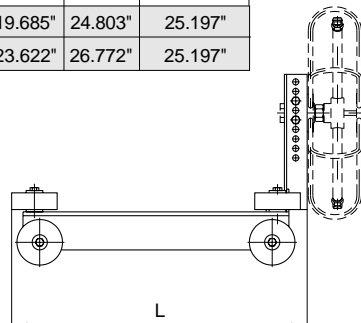


Other versions or sizes upon request

Accessories

TXR Mobile stainless steel							
Part No.	TXR Mobile	D	a (min.)	a (max.)	b (min.)	b (max.)	L = length
81.902	small	12"	11.811"	17.717"	11.811"	14.173"	15.354"
		16"	15.748"	17.717"	15.748"	16.142"	15.354"
81.903	large	20"	19.685"	33.465"	19.685"	24.803"	25.197"
		24"	23.622"	33.465"	23.622"	26.772"	25.197"

- Nozzles are not included
- for Nozzles see page 23
- for illustration see page 17
- important: do not use without protection



Technical Data

Throughput Medium:	water, cleaning additive pH 3-12	Body DXG:	brass, nickel plated
Pressure:	4000 psi	Head:	brass, nickel plated
Temperature:	40°F - 250°F	Rotor Guard:	stainless steel
R.P.M.:	2000 r.p.m.	Weight:	see chart
Flow Rate:	depending on pump performance	Nominal Width:	NW 1/4"

Legend

D = diameter, G = metric gas pipe thread, k = conical, L = length, M = metric thread, Quick-conn. = connects, NW = nominal width, SW = wrench size





- Nozzles are not included
- for Nozzles see page 23
- for illustration see page 17
- important: do not use without protection

DUCT CLEANER *adjustable*

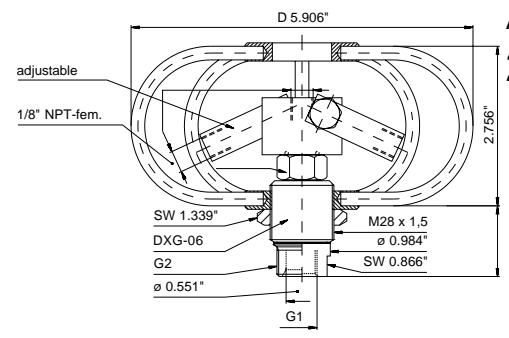
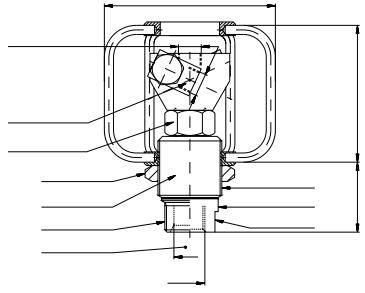
TXR-3s

self-rotating rotor guard^L for 3 Nozzles 1/8"NPT^a stainless

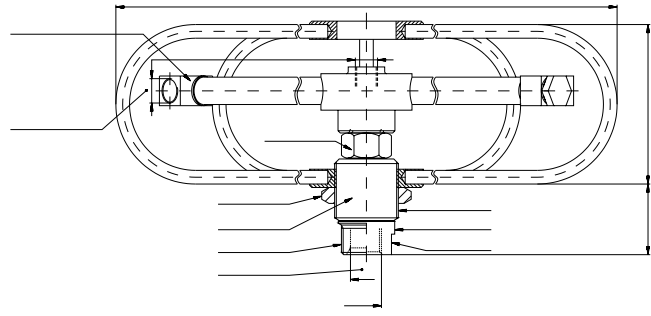
Throughput Medium:	water, cleaning additive pH 3-12	Body DXG:	brass, nickel plated
Pressure:	4000 psi	Head:	brass, nickel plated
Temperature:	40°F - 250°F	Rotor Guard:	stainless steel
R.P.M.:	2000 r.p.m.	Weight:	see chart
Flow Rate:	depending on pump performance	Nominal Width:	NW 1/4"

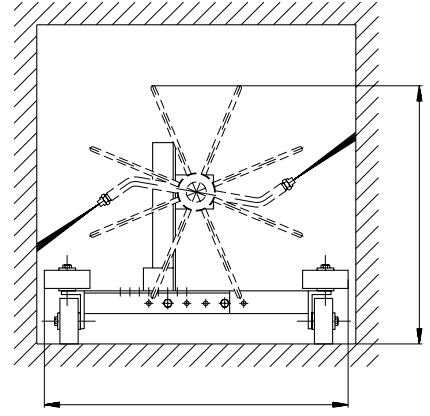
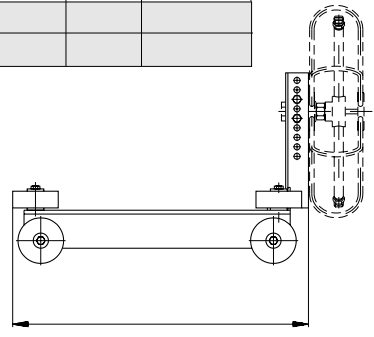
Legend

D = diameter, G = metric gas pipe thread, k = conical, L = length, M = metric thread, Quick-conn. = connects, NW = nominal width, SW = wrench size



A25
21





--	--	--	--	--	--	--	--



DUCT CLEANER $\varnothing 2''$

TXR-__-50

self-rotating

rotor guard

for 2 or 3 Nozzles 1/8"NPT

stainless

MOSMATIC Duct Cleaner TXR as an accessory for High Pressure Cleaners and High Pressure Pumps for the **quick** and **easy** cleaning of:

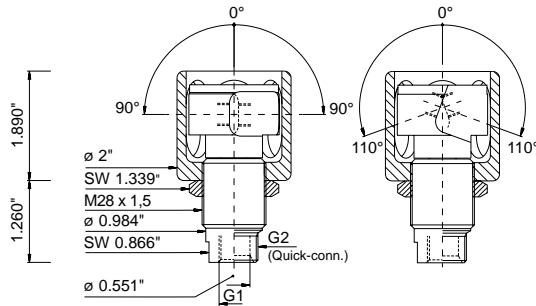
- Ducts
- Vents
- Pipes
- Kegs
- Containers
- etc.

DUCT CLEANER TXR for 2 Nozzles

Nozzle position	90° / 90°	110° / 110°	
Type	TXR-2a-50	TXR-2b-50	
Thread	Part No.		Weight
G2 = M21 x 1,5 male	81.203	81.213	17 oz.
G2 = M22 x 1,5 male	81.204	81.214	17 oz.
G1 = 1/4" NPT fem.	81.205	81.215	17 oz.
G1 = 3/8" NPT fem.	81.206	81.216	17 oz.

TXR-2a-50

New with ceramic swivel

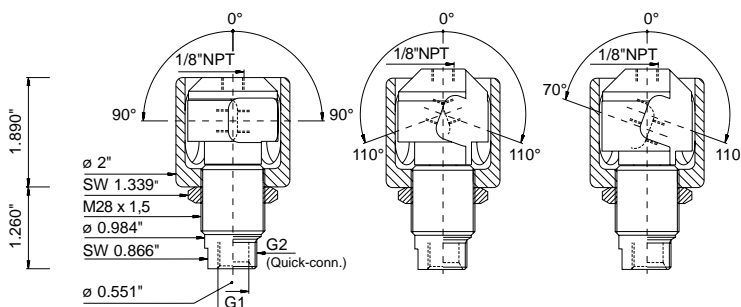


DUCT CLEANER TXR for 3 Nozzles

Nozzle position	0° / 90° / 90°	0° / 110° / 110°	0° / 70° / 110°	
Type	TXR-3a-50	TXR-3b-50	TXR-3c-50	
Thread	Part No.			Weight
G2 = M21 x 1,5 male	81.303	81.313	81.323	19 oz.
G2 = M22 x 1,5 male	81.304	81.314	81.324	19 oz.
G1 = 1/4" NPT fem.	81.305	81.315	81.325	19 oz.
G1 = 3/8" NPT fem.	81.306	81.316	81.326	19 oz.

TXR-3b-50

New with ceramic swivel



Other versions or sizes upon request

Technical Data

- Nozzles are not included • for Nozzles see page 23
- important: do not use without protection

Throughput Medium:	water, cleaning additive pH 3-12	Swivel DXG:	brass, nickel plated
Pressure:	4000 psi	Head:	brass, nickel plated
Temperature:	40°F - 250°F	Rotor Guard:	stainless steel
R.P.M.:	2000 r.p.m.	Weight:	see chart
Flow Rate:	depending on pump performance	Dimensions:	see chart

Legend

D = diameter, G = metric gas pipe thread, k = conical, L = length, M = metric thread, Quick-conn. = connects, NW = nominal width, SW = wrench size



NOZZLES

1/8" NPT

Sizes available: 2 through 10

Patterns: 0°, 5°, 15°, 25°

stainless steel

The correct nozzle size for your **MOSMATIC** application:

- Duct Cleaners
- Turbo-Cleaners
- Turbo-Rotor-Arms
- Tire Cleaner Applicators

NOZZLE GUIDE (based on your pressure needs)

Description		Quantity of Nozzles / Pressure in [psi]			
Pump capacity	Nozzle size	2 Nozzles	3 Nozzles	4 Nozzles	5 Nozzles
4 gpm	2	4000	1800	1000	700
	2.5	2200	1000	600	
	3	1900	750		
5 gpm	4	1000			
	2		2800	1600	1000
	2.5	4000	1600	900	600
6 gpm	3	2700	1300	600	
	4	1500	650		
	5	1000			
8 gpm	2		4000	2250	1600
	2.5		2200	1300	900
	3	4000	1900	1000	650
10 gpm	4	2400	1000	550	
	5	1400	650		
	6	1000	450		
15 gpm	2			4000	2500
	2.5			2200	1500
	3		3200	1900	1100
20 gpm	4	4000	1800	1000	600
	5	2500	1100	650	
	6	1800	800		
25 gpm	7	1300			
	3				4000
	4			3750	2200
30 gpm	5		4000	2200	1400
	6		2750	1500	1000
	7		2000	1150	750
35 gpm	8	3500	1500	850	550
	9	2800	1200	700	
	10	2250	1000	550	
40 gpm	4				4000
	5			4000	2500
	6			2750	1700
45 gpm	7		3600	2000	1300
	8		2800	1500	1000
	9		2200	1200	800
50 gpm	10	4000	1850	1000	640

Nozzel Order Chart

Spray Angle	Orifice	Part No.	Thread
0°	02	0002	1/8" NPT male
	03	0003	
	04	0004	
	05	0005	
	055	00055	
	06	0006	
	065	00065	
	07	0007	
	08	0008	
	09	0009	
5°	10	0010	1/8" NPT male
	02	0502	
	03	0503	
	04	0504	
	05	0505	
	06	0506	
	07	0507	
	08	0508	
	09	0509	
	10	0510	
15°	02	1502	1/8" NPT male
	025	15025	
	03	1503	
	04	1504	
	05	1505	
	055	15055	
	06	1506	
	065	15065	
	07	1507	
	08	1508	
25°	09	1509	1/8" NPT male
	10	1510	
	02	2502	
	03	2503	
	04	2504	
	045	25045	
	05	2505	
	055	25055	
	06	2506	
	065	25065	
25°	07	2507	1/8" NPT male
	08	2508	
	09	2509	
	10	2510	

Other versions or sizes upon request

Technical Data

Throughput Medium: water, cleaning additive pH 3-12	Temperature: 40°F - 250°F
Pressure: see chart	

Legend

D = diameter, G = metric gas pipe thread, k = conical, L = length, M = metric thread, Quick-conn. = connects, NW = nominal width, SW = wrench size



TURBO-CLEANER

Ø12" and Ø21"

TCD

Flat Surface Cleaner

self-rotating

with brush ring

stainless steel

MOSMATIC Turbo-Cleaner TCD as an accessory for High Pressure Cleaners and High Pressure Pumps for the **quick** and **easy** cleaning of:

- Driveways
- Concrete Floors, Pavements
- School Yards, Patios
- Factory Floors, Roofs
- Public Facilities, Pool Decks
- Kitchens, Food Processing Plants etc.

New with ceramic swivel



TCD

Part No.	D1	D2	Connection	Weight	Swivel, Part No.
80.704	12"	9.8"	1/4" NPT male	7.1 lbs	DXGk, 37.223
80.804	21"	18.5"	1/4" NPT male	12 lbs	DXGk, 37.223

Nozzles, Gun and Couplings are not included due to individual requirements

⇒ see Accessories

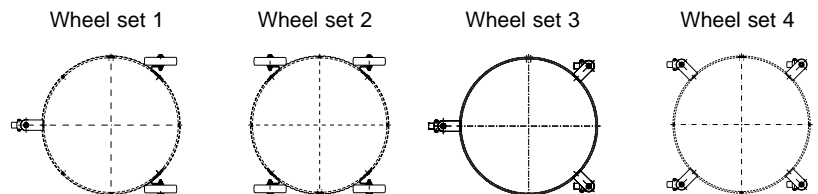
Other versions or sizes upon request

Accessories

Guns & Couplings			
Part No.	Description		
29.063	HP-Gun 3/8" fem. - 1/4" fem.		
52.251	Adapter M21x1,5 male 1/4" male		
52.253	Adapter M21x1,5 male 3/8" male		

HP - Nozzles 1/8"NPT male (Pattern 15°)			
Part No.	Description	Pieces	Pump capacity
15025	HP-Nozzle	2	approx. 4 gpm
1503	HP-Nozzle	2	approx. 5 gpm
1504	HP-Nozzle	2	approx. 6 gpm

Wheel set		
Part No.	Wheel set	Description
80.914	1	2 x Rubber-Wheel (Part No. 80.913), 1 x Stainless Castor (Part No. 80.912)
80.915	2	4 x Rubber-Wheel (Part No. 80.913)
80.916	3	3 x Stainless Castor (Part No. 80.912)
80.917	4	4 x Stainless Castor (Part No. 80.912)



- Torque according to the Nozzle manufacturer

Technical Data

Throughput Medium:	water, cleaning additive pH 3-12	Flow Rate:	depending on pump performance
Pressure:	4000 psi	Body:	stainless steel, polished
Temperature:	40°F - 250°F	Weight:	see chart
R.P.M.:	depending on pressure / flow	Dimensions:	see chart

Legend

D = diameter, G = metric gas pipe thread, k = conical, L = length, M = metric thread, Quick-conn. = connects, NW = nominal width, SW = wrench size





TURBO-CLEANER

Ø21"

TCG

Flat Surface Cleaner

self-rotating

with brush ring

stainless steel

MOSMATIC Turbo-Cleaner TCG as an accessory for High Pressure Cleaners and High Pressure Pumps for the **quick** and **easy** cleaning of:

- Driveways
- Concrete Floors, Pavements
- School Yards, Patios
- Factory Floors, Roofs
- Public Facilities, Pool Decks
- Kitchens, Food Processing Plants etc.

New with ceramic swivel



TCG

Part No.	Connection	Weight	Swivel,	Part No.
80.004	1/4" NPT male	16.7 lbs	DXF,	38.503
80.204	1/4" NPT male	18.9 lbs	DXT,	39.503

Nozzles, Gun and Couplings are not included due to individual requirements

⇒ see Accessories

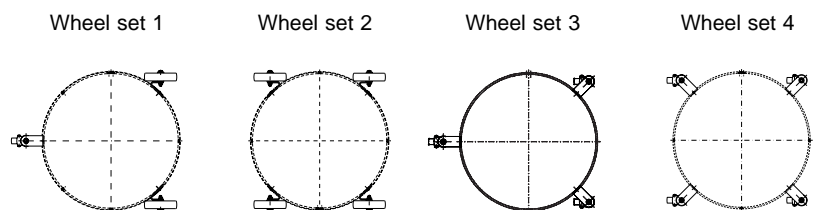
Other versions or sizes upon request

Accessories

Guns & Couplings			
Part No.	Description		
29.063	HP-Gun 3/8" fem. - 1/4" fem.		
52.251	Adapter M21x1,5 male 1/4" male		
52.253	Adapter M21x1,5 male 3/8" male		

HP - Nozzles 1/8"NPT male (Pattern 15°)			
Part No.	Description	Pieces	Pump capacity
15025	HP-Nozzle	2	approx. 4 gpm
1503	HP-Nozzle	2	approx. 5 gpm
1504	HP-Nozzle	2	approx. 6 gpm

Wheel set		
Part No.	Wheel set	Description
80.914	1	2 x Rubber-Wheel (Part No. 80.913), 1 x Stainless Castor (Part No. 80.912)
80.915	2	4 x Rubber-Wheel (Part No. 80.913)
80.916	3	3 x Stainless Castor (Part No. 80.912)
80.917	4	4 x Stainless Castor (Part No. 80.912)



- Torque according to the Nozzle manufacturer

Technical Data

Throughput Medium:	water, cleaning additive pH 3-12	Flow Rate:	depending on pump performance
Pressure:	4000 psi	Body:	stainless steel, polished
Temperature:	40°F - 250°F	Weight:	see chart
R.P.M.:	depending on pressure / flow	Dimensions:	see chart

Legend

D = diameter, G = metric gas pipe thread, k = conical, L = length, M = metric thread, Quick-conn. = connects, NW = nominal width, SW = wrench size



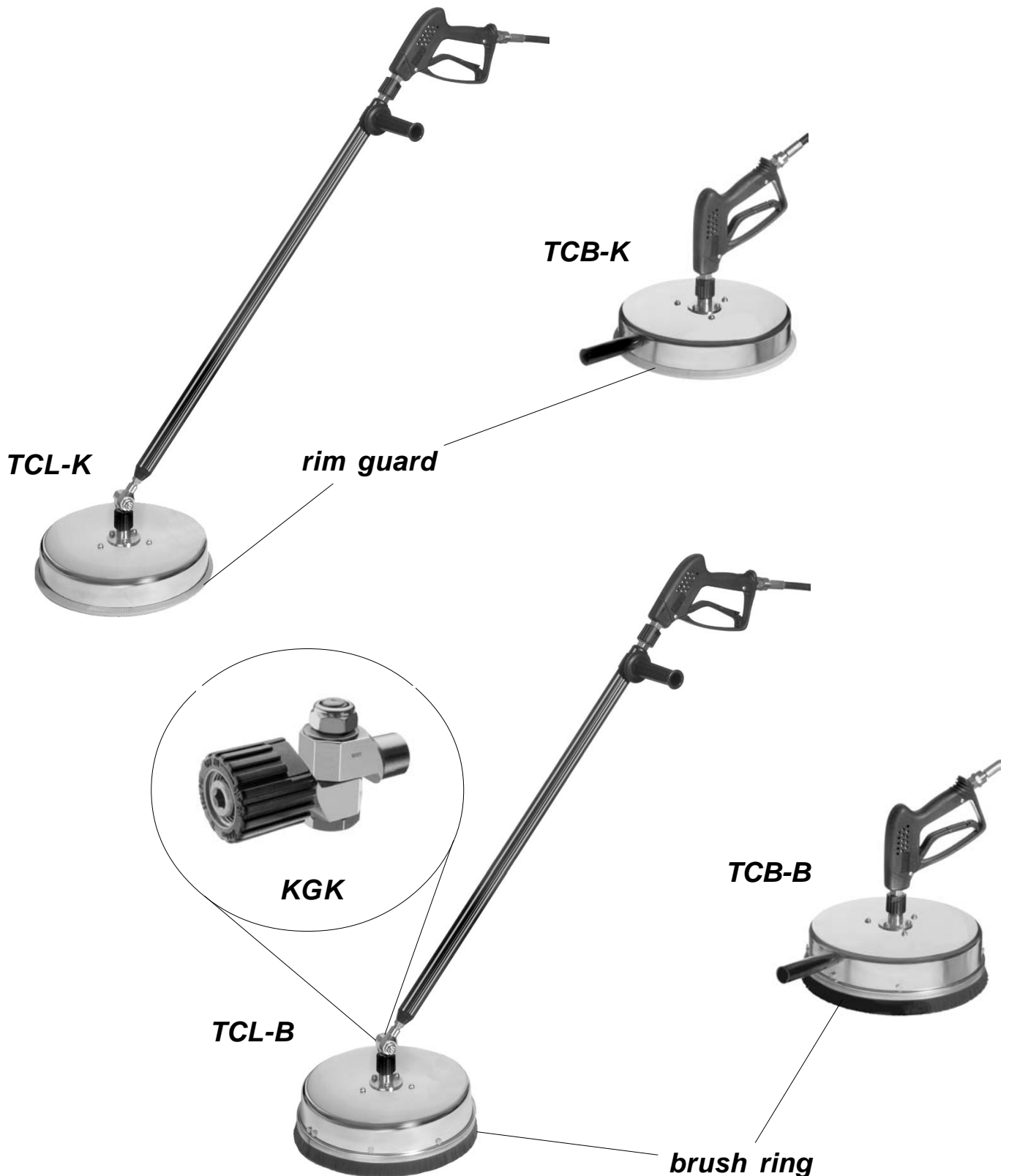


TOSMATIC

TURBO-CLEANER

Cleaner for floors, walls and ceilings

with rim guard or brush ring
New with ceramic swivel





SW22

MOSMATIC

L2

TOGGLE JOINT

*adjustable**M21, M22, 1/4"NPT*

SW17

KGK*stainless*

MOSMATIC Toggle Joint from the KGK-series, an **adjustable** high pressure connection, ideal for:

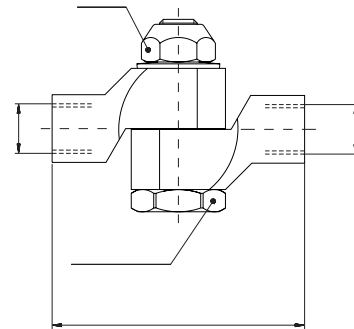
- TURBO - CLEANER (Flat Surface Cleaner for floors, walls and ceilings)

- ☑ Seal system for low and high pressure prevents leakage, compact and light weight, easy installation, totally corrosion-resistant version ensures longevity, infinitely variable lockable, adjustable pivot pre-load

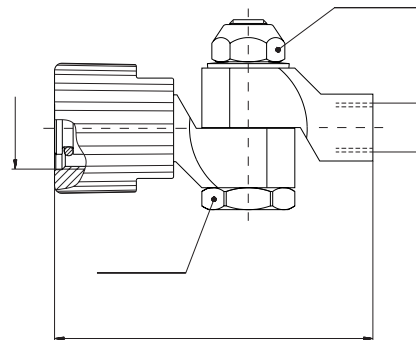
L3

KGK

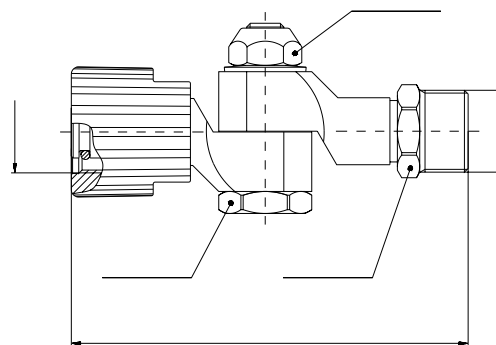
Part No.	G1 female thread	G1 female thread	L 1	NW	Weight
42.051	1/4"NPT fem.	1/4"NPT fem.	2.64"	1/4"	9 oz.

**KGK**

Part No.	G2 female thread	G1 female thread	L 2	NW	Weight
42.058	M21x1,5 fem.	1/4"NPT fem.	3.43"	1/4"	11 oz.
42.059	M22x1,5 fem.	1/4"NPT fem.	3.43"	1/4"	11 oz.

**KGK**

Part No.	G3 female thread	G4 male thread	L 3	NW	Weight
42.018	M21x1,5 fem.	M21x1,5 male	4.21"	1/4"	13 oz.
42.029	M22x1,5 fem.	M22x1,5 male	4.21"	1/4"	13 oz.



Other versions or sizes upon request

Technical Data

Throughput Medium:	water, cleaning additive pH 2-12	Flow Rate:	depending on pump performance
Pressure:	4000 psi	Body:	brass, nickel plated
Temperature:	250°F	Dimensions:	see chart

Legend

D = diameter, G = metric gas pipe thread, k = conical, L = length, M = metric thread, Quick-conn. = connects, NW = nominal width, SW = wrench size





TURBO-CLEANER

Cleaner for floors, walls and ceilings

Ø8" and Ø12"

self-rotating

with brush ring

TCL-B

stainless

MOSMATIC Turbo-Cleaner TCL-B, an accessory for High Pressure Cleaners and High Pressure Pumps for the **quick** and **easy** cleaning of:

- Tile - walls
- Trailer - walls
- Patios
- Roofs
- Kitchens, Food Processing Plants
- Public Facilities, Pool Decks

New with ceramic swivel

Complete with Toggle joint (patent pending), Quick-connection, Wand and Handle to Wand

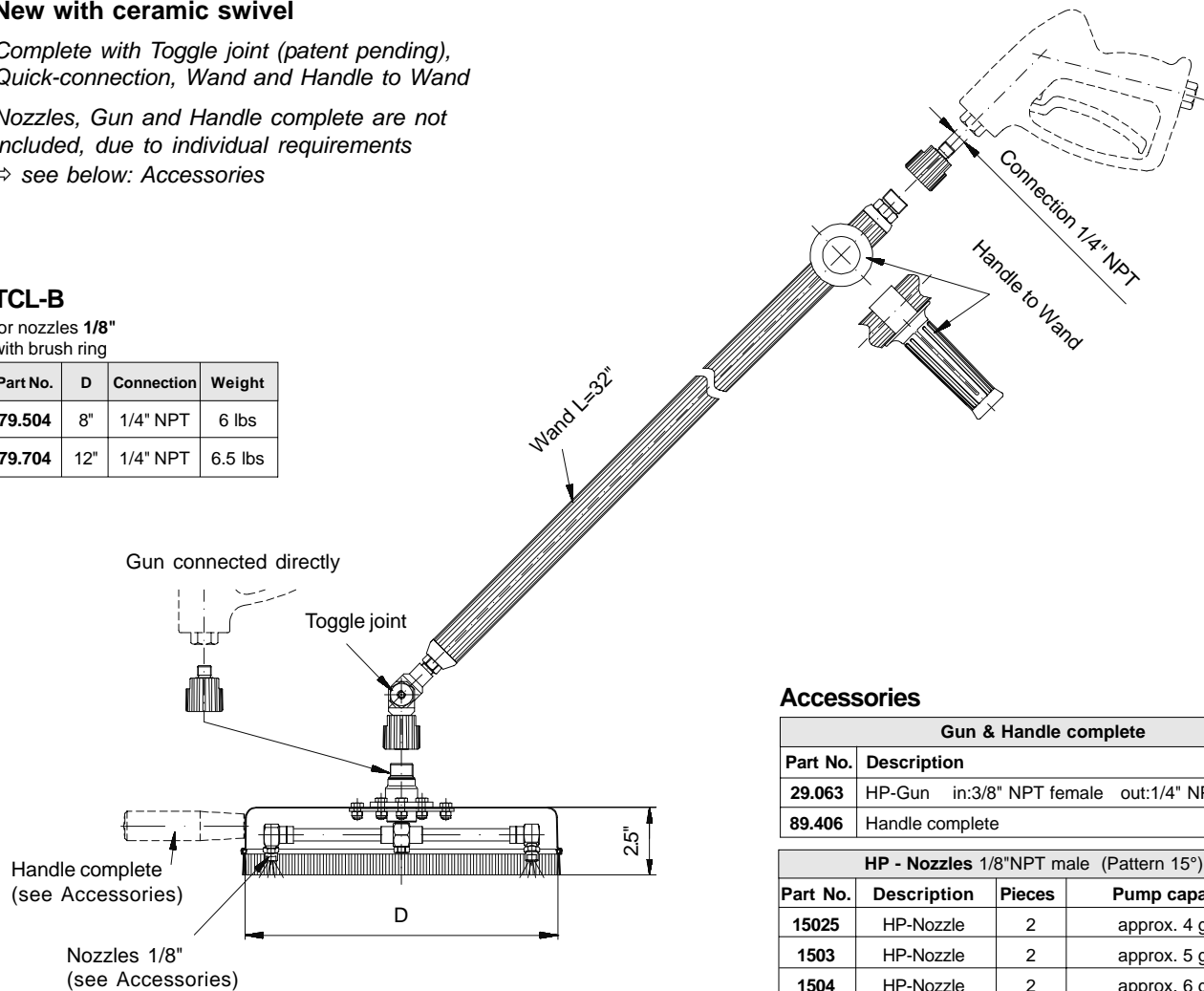
Nozzles, Gun and Handle complete are not included, due to individual requirements

⇒ see below: Accessories

TCL-B

for nozzles 1/8" with brush ring

Part No.	D	Connection	Weight
79.504	8"	1/4" NPT	6 lbs
79.704	12"	1/4" NPT	6.5 lbs



Accessories

Gun & Handle complete	
Part No.	Description
29.063	HP-Gun in:3/8" NPT female out:1/4" NPT female
89.406	Handle complete

HP - Nozzles 1/8"NPT male (Pattern 15°)			
Part No.	Description	Pieces	Pump capacity
15025	HP-Nozzle	2	approx. 4 gpm
1503	HP-Nozzle	2	approx. 5 gpm
1504	HP-Nozzle	2	approx. 6 gpm

Other versions or sizes upon request

Technical Data

Throughput Medium:	water, cleaning additive pH 3-12	Flow Rate:	depending on pump performance
Pressure:	4000 psi	Body:	stainless steel, polished
Temperature:	40°F - 250°F	Weight:	see chart
R.P.M.:	depending on pressure / flow rate	Dimensions:	see chart

- **Nozzle installation:**
Torque according to Nozzle manufacturer

Legend

D = diameter, G = metric gas pipe thread, k = conical, L = length, M = metric thread, Quick-conn. = connects, NW = nominal width, SW = wrench size





TURBO-CLEANER

Cleaner for floors, walls and ceilings

Ø8" and Ø12"

self-rotating

with rim guard

TCL-K

stainless

MOSMATIC Turbo-Cleaner TCL-K, an accessory for High Pressure Cleaners and High Pressure Pumps for the **quick** and **easy** cleaning of:

- Tile - walls
- Patios
- Kitchens, Food Processing Plants
- Trailer - walls
- Roofs
- Public Facilities, Pool Decks

New with ceramic swivel

Complete with Toggle joint (patent pending), Quick-connection, Wand and Handle to Wand

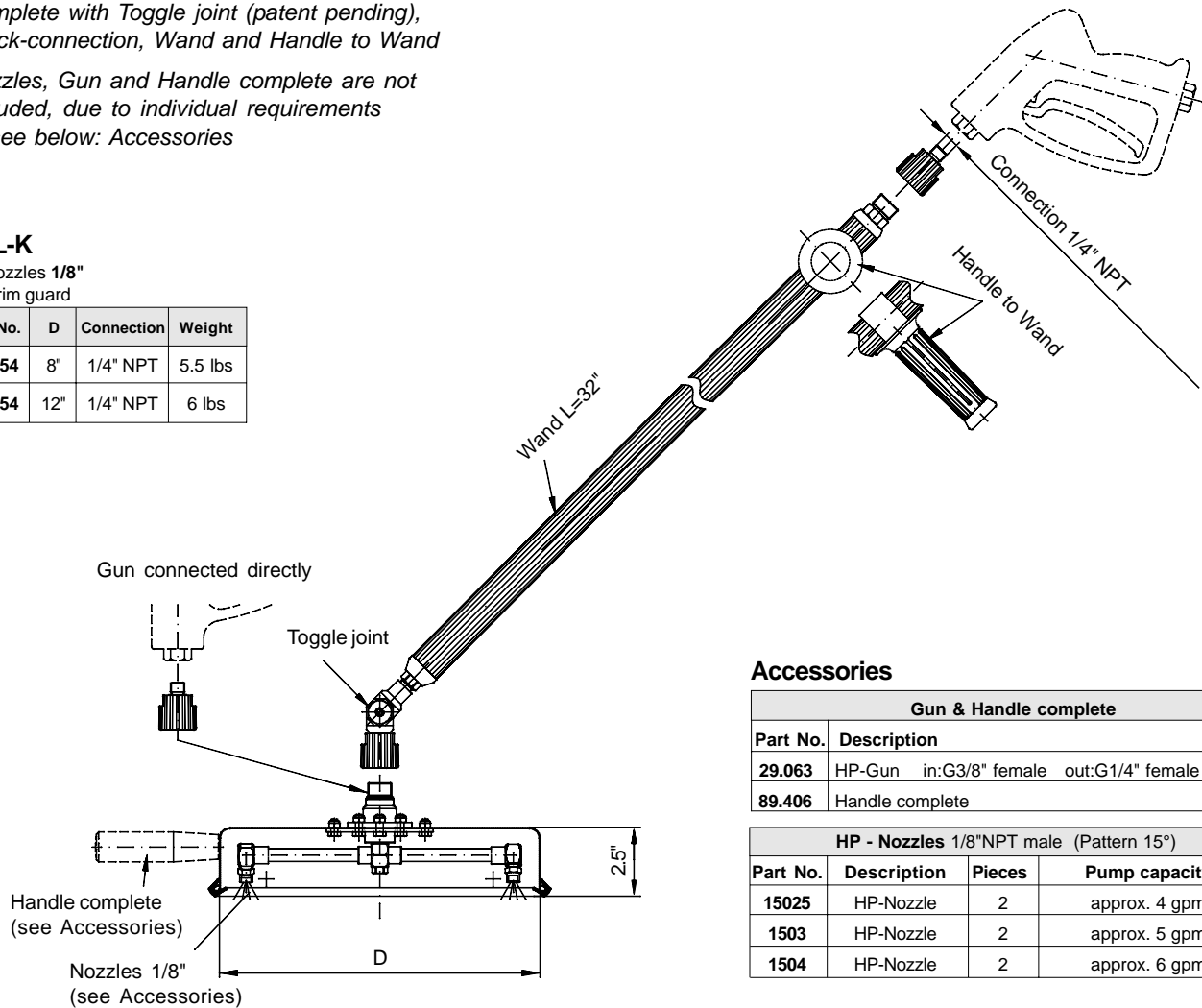
Nozzles, Gun and Handle complete are not included, due to individual requirements

⇒ see below: Accessories

TCL-K

for nozzles 1/8" with rim guard

Part No.	D	Connection	Weight
79.554	8"	1/4" NPT	5.5 lbs
79.754	12"	1/4" NPT	6 lbs



Accessories

Gun & Handle complete	
Part No.	Description
29.063	HP-Gun in:G3/8" female out:G1/4" female
89.406	Handle complete

HP - Nozzles 1/8"NPT male (Pattern 15°)			
Part No.	Description	Pieces	Pump capacity
15025	HP-Nozzle	2	approx. 4 gpm
1503	HP-Nozzle	2	approx. 5 gpm
1504	HP-Nozzle	2	approx. 6 gpm

Other versions or sizes upon request

Technical Data

Throughput Medium:	water, cleaning additive pH 3-12	Flow Rate:	depending on pump performance
Pressure:	4000 psi	Body:	stainless steel, polished
Temperature:	40°F - 250°F	Weight:	see chart
R.P.M.:	depending on pressure / flow rate	Dimensions:	see chart

- Nozzle installation:
Torque according to Nozzle manufacturer

Legend

D = diameter, G = metric gas pipe thread, k = conical, L = length, M = metric thread, Quick-conn. = connects, NW = nominal width, SW = wrench size





TURBO-CLEANER-BASIC

Cleaner for floors, walls and ceilings

Ø8" and Ø12"

self-rotating

with brush ring

TCB-B

stainless

MOSMATIC Turbo-Cleaner TCB-B, an accessory for High Pressure Cleaners and High Pressure Pumps for the **quick** and **easy** cleaning of:

- Tile - walls
- Trailer - walls
- Patios
- Roofs
- Kitchens, Food Processing Plants
- Public Facilities, Pool Decks

New with ceramic swivel

Complete with Quick-connection

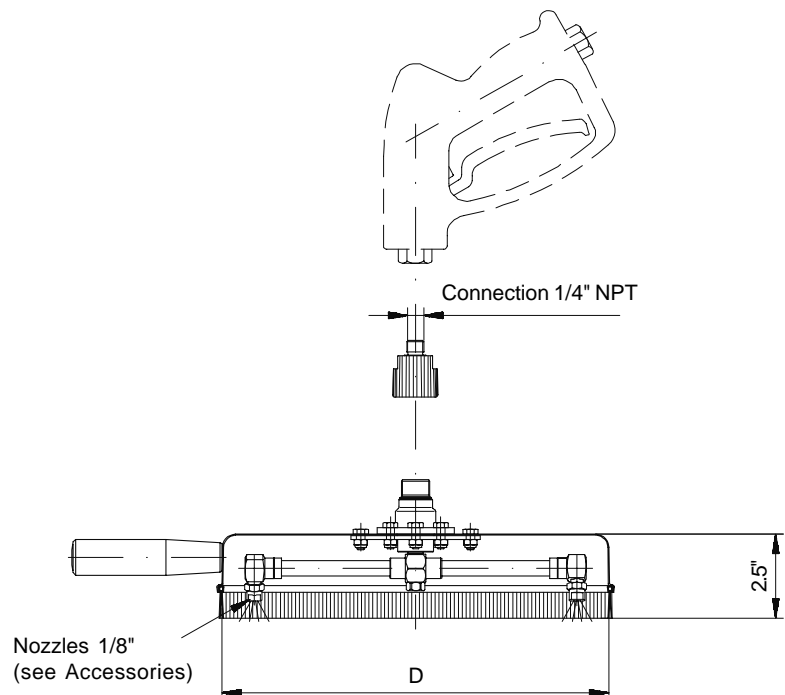
Nozzles and Gun are not included, due to individual requirements

⇒ see Accessories

TCB-B

for nozzles 1/8" with brush ring

Part No.	D	Connection	Weight
79.004	8"	1/4" NPT	4 lbs
79.204	12"	1/4" NPT	4.5 lbs



Accessories

HP-Gun

- **Nozzle installation:**
Torque according to Nozzle manufacturer

Part No.	Description
29.063	HP-Gun in:G3/8" female out:G1/4" female
	HP - Nozzles 1/8"NPT male (Pattern 15°)

Part No.	Description	Pieces	Pump capacity
15025	HP-Nozzle	2	approx. 4 gpm
1503	HP-Nozzle	2	approx. 5 gpm
1504	HP-Nozzle	2	approx. 6 gpm

Other versions or sizes upon request

Technical Data

Throughput Medium:	water, cleaning additive pH 3-12	Flow Rate:	depending on pump performance
Pressure:	4000 psi	Body:	stainless steel, polished
Temperature:	40°F - 250°F	Weight:	see chart
R.P.M.:	depending on pressure / flow rate	Dimensions:	see chart

Legend

D = diameter, G = metric gas pipe thread, k = conical, L = length, M = metric thread, Quick-conn. = connects, NW = nominal width, SW = wrench size





MOSMATIC

TURBO-CLEANER-BASIC

Cleaner for floors, walls and ceilings

Ø8" and Ø12"

self-rotating

with rim guard

TCB-K

stainless

MOSMATIC Turbo-Cleaner TCB-K, an accessory for High Pressure Cleaners and High Pressure Pumps for the **quick** and **easy** cleaning of:

- Tile - walls
- Patios
- Kitchens, Food Processing Plants
- Trailer - walls
- Roofs
- Public Facilities, Pool Decks

New with ceramic swivel

Complete with Quick-connection

Nozzles and Gun are not included, due to individual requirements

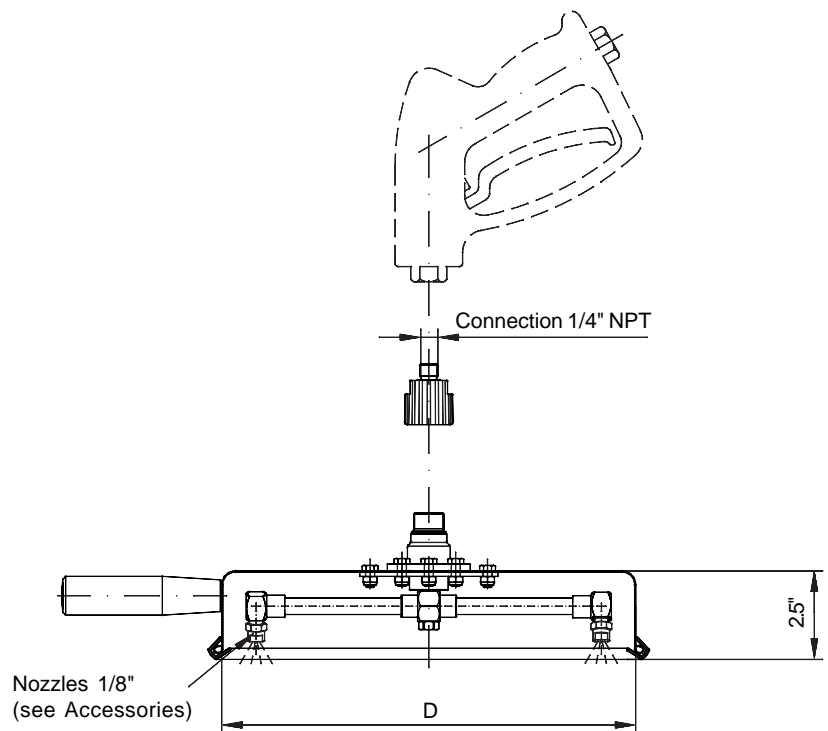
⇒ see Accessories

TCB-K

for nozzles 1/8" with rim guard

Part No. D Connection Weight

Part No.	D	Connection	Weight
79.054	8"	1/4" NPT	3.5 lbs
79.254	12"	1/4" NPT	4 lbs



- Nozzle installation:
Torque according to Nozzle manufacturer

Accessories

HP-Gun			
Part No.	Description		
29.063	HP-Gun Nozzle 3/8" NPT female (Part 4)		
Part No.	Description	Pieces	Pump capacity
15025	HP-Nozzle	2	approx. 4 gpm
1503	HP-Nozzle	2	approx. 5 gpm
1504	HP-Nozzle	2	approx. 6 gpm

Other versions or sizes upon request

Technical Data

Throughput Medium:	water, cleaning additive pH 3-12	Flow Rate:	depending on pump performance
Pressure:	4000 psi	Body:	stainless steel, polished
Temperature:	40°F - 250°F	Weight:	see chart
R.P.M.:	depending on pressure / flow rate	Dimensions:	see chart

Legend

D = diameter, G = metric gas pipe thread, k = conical, L = length, M = metric thread, Quick-conn. = connects, NW = nominal width, SW = wrench size





MOSMATIC

TURBO-ROTOR-ARM

fixed

TUA-h

height 2.3"

in: G3/8" fem.

out: 1/8" NPT fem.

stainless

MOSMATIC Turbo-Rotor-Arm for self-rotating swivel applications:

TUA-2h (for 2 Nozzles)



D1	Part No.	Weight
4"	86.805	7.4 oz.
6"	86.806	8.1 oz.
8"	86.807	8.8 oz.
10"	86.808	10 oz.
12"	86.809	10.6 oz.
14"	86.810	11.3 oz.
16"	86.811	12 oz.
18"	86.812	12.4 oz.
20"	86.813	13.1 oz.
22"	86.814	13.8 oz.
24"	86.815	14.1 oz.

TUA-3h (for 3 Nozzles)



D1	Part No.	Weight
4"	86.820	7.1 oz.
6"	86.821	7.8 oz.
8"	86.822	8.5 oz.
10"	86.823	9.5 oz.
12"	86.824	10.2 oz.
14"	86.825	11 oz.
16"	86.826	11.7 oz.
18"	86.827	12 oz.
20"	86.828	12.7 oz.
22"	86.829	13.4 oz.
24"	86.830	13.8 oz.

TUA-4h (for 4 Nozzles)



D1	D2	Part No.	Weight
8"	8"	86.831	11.1 oz.
14"	8"	86.833	13.1 oz.
16"	10"	86.837	14.5 oz.
20"	14"	86.843	17.3 oz.

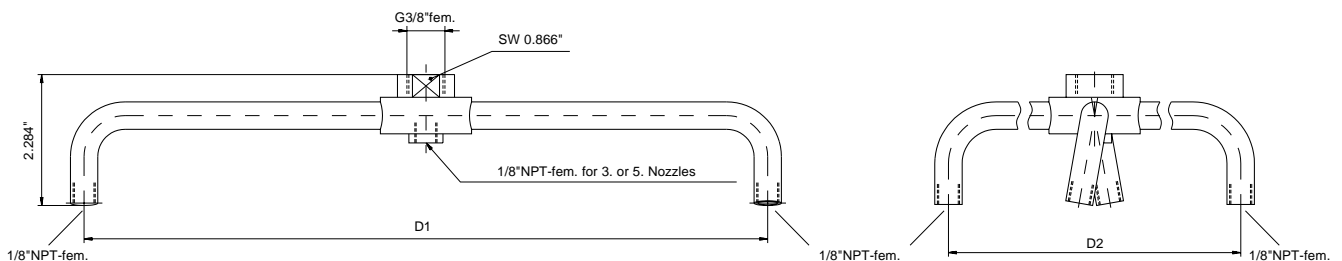
TUA-5h (for 5 Nozzles)



D1	D2	Part No.	Weight
8"	8"	86.846	10.8 oz.
14"	8"	86.848	12.7 oz.
16"	10"	86.852	14.1 oz.
20"	14"	86.858	17.0 oz.

- Nozzles are not included
- Swivels G3/8" male see page 7 (DXL), page 9 (DXG), page 11 (DXF), page 12 (DXT)
- for Nozzles see page 23
- important: do not use unprotected

Other versions or sizes upon request



Technical Data

Throughput Medium:	water, cleaning additive pH 3-12	Body:	brass, nickel plated
Pressure:	4000 psi	Pipe:	stainless steel
Temperature:	40°F - 250°F	Dimensions:	see drawing

Legend

D = diameter, G = metric gas pipe thread, k = conical, L = length, M = metric thread, Quick-conn. = connects, NW = nominal width, SW = wrench size





MOSMATIC

TURBO-ROTOR-ARM

*** fixed***

TUA-f

height 0.95"

in: G3/8" fem.

out: 1/8" NPT fem.

stainless

MOSMATIC Turbo-Rotor-Arm for self-rotating swivel applications:

TUA-2f (for 2 Nozzles)



D1	Part No.	Weight
8"	87.807	9.5 oz.
10"	87.808	10.2 oz.
12"	87.809	10.9 oz.
14"	87.810	11.7 oz.
16"	87.811	12.4 oz.
18"	87.812	12.7 oz.
18.5"	87.891	13.1 oz.
20"	87.813	13.4 oz.
22"	87.814	14.1 oz.
24"	87.815	14.8 oz.

TUA-3f (for 3 Nozzles)



D1	Part No.	Weight
8"	87.822	8.1 oz.
10"	87.823	8.8 oz.
12"	87.824	9.5 oz.
14"	87.825	10.2 oz.
16"	87.826	10.9 oz.
18"	87.827	11.3 oz.
18.5"	87.892	11.7 oz.
20"	87.828	12 oz.
22"	87.829	12.7 oz.
24"	87.830	13.4 oz.

TUA-4f (for 4 Nozzles)



D1	D2	Part No.	Weight
8"	8"	87.831	11.5 oz.
14"	8"	87.833	12.4 oz.
16"	10"	87.837	14.1 oz.
18.5"	14"	87.842	16.2 oz.
20"	14"	87.843	16.6 oz.

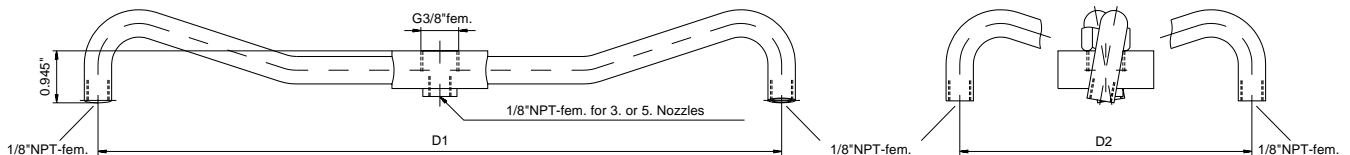
TUA-5f (for 5 Nozzles)



D1	D2	Part No.	Weight
8"	8"	87.846	11.5 oz.
14"	8"	87.848	12.4 oz.
16"	10"	87.852	14.1 oz.
18.5"	14"	87.857	16.2 oz.
20"	14"	87.858	16.6 oz.

- Nozzles are not included
- Swivels G3/8" male see page 7 (DXL), page 9 (DXG), page 11 (DXF), page 12 (DXT)
- for Nozzles see page 23
- important: do not use unprotected

Other versions or sizes upon request



Technical Data

Throughput Medium:	water, cleaning additive pH 3-12	Body:	brass, nickel plated
Pressure:	4000 psi	Pipe:	stainless steel
Temperature:	40°F - 250°F	Dimensions:	see drawing

Legend

D = diameter, G = metric gas pipe thread, k = conical, L = length, M = metric thread, Quick-conn. = connects, NW = nominal width, SW = wrench size





MOSMATIC

TURBO-ROTOR-ARM

height 0.95"

in: G3/8" fem.

fixed

out: 1/8"NPT fem.

TUA-w

stainless

MOSMATIC Turbo-Rotor-Arm for self-rotating swivel-applications:

TUA-2w2 (for 2 Nozzles)



D1	Part No.	Weight
2"	89.803	6.4 oz.
3"	89.804	6.7 oz.
4"	89.805	7.4 oz.
6"	89.806	8.1 oz.
8"	89.807	8.8 oz.
10"	89.808	9.5 oz.
12"	89.809	10.6 oz.
14"	89.810	11.3 oz.
16"	89.811	12 oz.
18"	89.812	12.7 oz.
18.5"	89.891	13.1 oz.
20"	89.813	13.4 oz.
22"	89.814	14.1 oz.
24"	89.815	14.5 oz.

TUA-2w3 (for 3 Nozzles)



D1	Part No.	Weight
2"	89.818	6.4 oz.
3"	89.819	6.7 oz.
4"	89.820	7.4 oz.
6"	89.821	8.1 oz.
8"	89.822	8.8 oz.
10"	89.823	9.5 oz.
12"	89.824	10.6 oz.
14"	89.825	11.3 oz.
16"	89.826	12 oz.
18"	89.827	12.7 oz.
18.5"	89.892	13.1 oz.
20"	89.828	13.4 oz.
22"	89.829	14.1 oz.
24"	89.830	14.5 oz.

TUA-3w3 (for 3 Nozzles)



D1	Part No.	Weight
8"	89.867	9.9 oz.
12"	89.869	11.6 oz.
16"	89.871	13 oz.
20"	89.873	14.5 oz.
24"	89.875	15.5 oz.

TUA-4w4 (for 4 Nozzles)



D1	D2	Part No.	Weight
8"	8"	89.831	12 oz.
14"	8"	89.833	14.1 oz.
16"	10"	89.837	15.9 oz.
18.5"	14"	89.842	18 oz.
20"	14"	89.843	18.4 oz.

TUA-3w4 (for 4 Nozzles)



D1	Part No.	Weight
8"	89.882	9.9 oz.
12"	89.884	11.6 oz.
16"	89.886	13 oz.
20"	89.888	14.5 oz.
24"	89.890	15.5 oz.

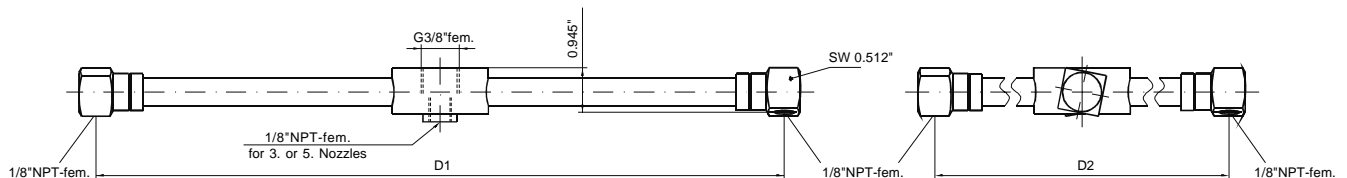
TUA-4s5 (for 5 Nozzles)



D1	D2	Part No.	Weight
8"	8"	89.846	12 oz.
14"	8"	89.848	14.1 oz.
16"	10"	89.852	15.9 oz.
18.5"	14"	89.857	18 oz.
20"	14"	89.858	18.4 oz.

- Nozzles are not included
- Swivels G3/8" male see page 7 (DXL), page 9 (DXG), page 11 (DXF), page 12 (DXT)
- for Nozzles see page 23
- important: do not use unprotected

Other versions or sizes upon request (also available for 1/4" Nozzles)



Technical Data

Throughput Medium: water, cleaning additive pH 3-12	Body: brass, nickel plated
Pressure: 4000 psi	Pipe: stainless steel
Temperature: 40°F - 250°F	Dimensions: see drawing

Legend

D = diameter, G = metric gas pipe thread, k = conical, L = length, M = metric thread, Quick-conn. = connects, NW = nominal width, SW = wrench size





MOSMATIC

Terms and Conditions of Sale

Acceptance of any order and sale of any goods are expressly conditional upon the terms and conditions as listed herein. Any order or statement of intent to purchase any such goods, or any direction to proceed with engineering, procurement, manufacture or shipment shall constitute assent to said terms and conditions. Any additional or different terms or conditions set forth in Buyer's purchase order or similar communication are objected to and will not be binding upon MOSMATIC Corporation, unless specifically assented to in writing by an authorized representative of MOSMATIC Corporation management.

1. Prices

All prices stipulated or promulgated by MOSMATIC Corporation are subject to change without notice. Prices do not include any present or future sales, use, excise, value added or similar taxes and, where applicable, such taxes shall be billed as a separate item and paid by Buyer.

2. Shipping

All orders are shipped via UPS Ground unless otherwise specified. Most orders for stock goods will usually be shipped same day if purchase order is received by 12 p.m. CST.

Special crating or handling charges may apply to oversized or custom orders. Please inspect your shipment immediately upon arrival. If your order is not received in satisfactory condition, keep all packaging material and notify MOSMATIC Corporation within 48 hours.

All sales are made ex point of shipment, and the Buyer assumes all risks with title passing upon delivery to carrier at point of shipment, irrespective of who selects carrier.

Shipping dates given in advance of actual shipments are best estimates and shall not be deemed to represent fixed or guaranteed shipping dates. MOSMATIC Corporation shall not be liable for failure to deliver or for delay in delivery or performance due to (a) a cause beyond its reasonable control or (b) an act of God, act or omission of Buyer, act of civil or military authority, governmental priority or other allocation or control, fire, strike or other labor difficulty, riot or other civil disturbance, delay in transportation or (c) any other commercial impracticability.

Each shipment or delivery shall be deemed to have been sold under a separate and independent contract. If in the judgment of MOSMATIC Corporation, the financial condition of the Buyer at the time of manufacture or shipment does not justify the terms of payment specified on order, MOSMATIC Corporation reserves the right to require from Buyer full or partial payment or other adequate assurance of performance before manufacture or shipment. MOSMATIC Corporation reserves the right to suspend its performance until such a payment or adequate assurance of performance has been received. If payment is not made when due, Buyer agrees to pay a charge on the amount past due at the rate of 1.5% per month (18% per annum) or the maximum lawful rate, whichever is less. Nothing herein shall be deemed to extend or otherwise modify Buyer's obligation to make payment when due.

3. Payments

Credit: First orders are C.O.D., subsequent orders net 30 days from date of invoice upon credit approval. For credit applications, please call (800) 788-9880. Payment shall be made in US\$ (USD) only or in the currency agreed. Checks will be accepted as means of payment but shall not be regarded as settlement until they have been cleared. For your convenience we accept VisaCard, MasterCard, American Express and Discovery Card.

4. Termination

Buyer may terminate an order only by mutual agreement based on payment to MOSMATIC Corporation of reasonable and proper termination charges.

5. Returns

No return of goods will be accepted without prior authorization from a representative of MOSMATIC Corporation management. All returns must be accompanied by a Returned Goods Authorization (RGA) number provided by MOSMATIC Corporation. RGA numbers are valid for 90 days only. Except due to manufacturer defects, all returns must be in resaleable condition and are subject to a 15% restocking charge.

6. Limitation of Liability

MOSMATIC Corporation's liability on any claim for loss or damage arising out of a contract or from the performance or breach thereof or connected with the supplying of goods, or their sale, resale, operation or use, warranty, tort (including negligence) or other grounds, shall not exceed the price allowable to such goods or part thereof involved in any claim.

MOSMATIC Corporation shall not under any circumstances be liable for any labor charges, special or consequential damages including, but not limited to, bodily injury, loss of profits or revenue, loss of use of any product or associated product, cost of capital, cost of substitute products, facilities or services, downtime costs or costs of claims arising from Buyer or Buyer's customers.

Any technical or other advice or assistance furnished by MOSMATIC Corporation, which concerns any goods supplied hereunder, will not subject MOSMATIC Corporation to any liability, whether based on contract, warranty, tort (including negligence) or other grounds.

7. Limited Warranty

MOSMATIC Corporation warrants that its product/s (the „Product“) shall be free from defects in materials and workmanship under normal use, installation and maintenance in accordance with MOSMATIC Corporation's specifications. If any failure to conform to this warranty is reported to MOSMATIC Corporation within six months from the date of purchase by the original buyer, MOSMATIC Corporation, upon being satisfied of the existence of such non-conformity, will, with exclusions (wear and tear) etc., correct same at its discretion by repairing or replacing the Product.

This warranty does not cover damage resulting from mishandling in transit, vandalism, misuse, abuse, neglect, alteration, dismantling, acts of God or failure to exercise reasonable care in installing or maintaining the Product. This warranty applies only to the original buyers who purchased the Product directly from MOSMATIC Corporation. To obtain service under this warranty, call our sales/service department at (800) 788-9880.

THIS WARRANTY IS IN LIEU OF AND EXCLUDES ALL OTHER WARRANTIES, EXPRESSED OR IMPLIED, ARISING BY OPERATION OF LAW OR OTHERWISE, INCLUDING ANY WARRANTY OF MERCHANTABILITY OR FITNESS FOR PARTICULAR PURPOSE OR OTHERWISE, AND NO REPRESENTATION OF WARRANTY, EXPRESSED OR IMPLIED, MADE BY ANY SALES REPRESENTATIVE OR OTHER AGENT OF MOSMATIC Corporation IN NO EVENT WILL MOSMATIC Corporation BE LIABLE FOR INCIDENTAL OR CONSEQUENTIAL DAMAGES.

This warranty gives you specific legal rights, and you may have other rights which vary from state to state.

8. Availability

Not all products listed in this catalog are stocked by each service center.

9. Governing law

All orders are accepted by Seller at its mailing address in Bristol, Wisconsin, and shall be governed by and interpreted in accordance with the laws of the state of Wisconsin.

© MOSMATIC Corp. 2003



FAX - ORDER

send to: 610-583-5479

ETS Co. Inc.
20 E. Winona Ave.
Norwood PA 19074

Phone: 1-877-824-7763
Fax : 610-583-5479
e-MAIL: ets@etscompany.com
Internet: www.etscompany.com

Part No.	Description	Quantity	Delivery date



Billing Address

Company:
 Address:
 Zip/City:
 Country:
 Phone:
 Fax:
 e-MAIL:
 Contact Person:.....
 P.O. number:

Shipping Address (if different)

Company:
 Address:
 Zip/City:
 Country:
 Phone:
 Fax:
 e-MAIL:
 Contact Person:

_____ Date authorized signature

Please copy, fill in and fax your order



INFORMATION

All data and measurements are without liability and indicate approximate values only.

We reserve the right to make technical modifications at any time without prior notification.

The product descriptions used in this catalog do not represent guaranteed characteristics.

For any special versions, manufactured to individual customer requirements, we decline any responsibility for their subsequent use and effects in operation.

The details we provide are recommendations only, which we give to the best of our knowledge. Written confirmation of precise details can be obtained upon request.

With the publication of this issue, all previous catalogs are no longer valid.

Your personal information

Customer number	_____
Contact person	_____
Phone	1-877-824-7763 / 610-583-5479
Fax	610-583-5479
e-MAIL	ets@etscompany.com
Internet	www.etscompany.com
Address	20 E. Winona Ave. Norwood, PA 19074-1210 USA